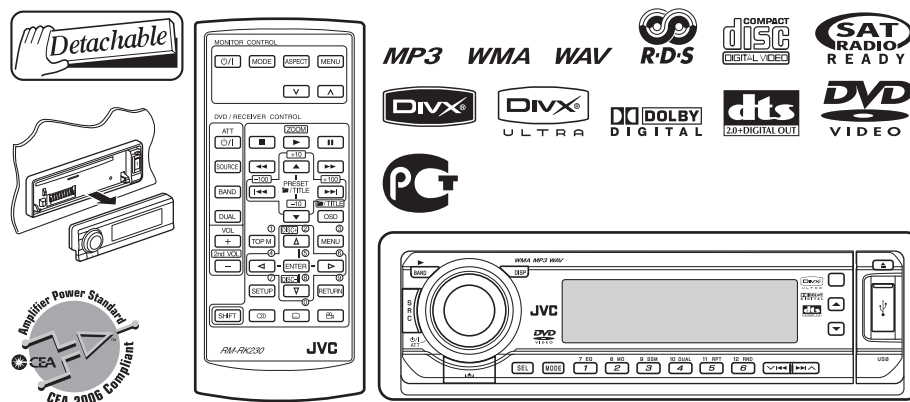


JVC

SERVICE MANUAL

DVD/CD RECEIVER

**KD-ADV6270J,KD-DV6200J,KD-DV6201E,
 KD-DV6201EU,KD-DV6202E,KD-DV6202EU,
 KD-DV7205U,KD-DV7205UN,KD-DV7205UT,
 KD-DV7205A,KD-DV7206U,KD-DV7206UN,
 KD-DV7206UT,KD-DV7206A,KD-DV6207EE**



Lead free solder used in the board (material : Sn-Ag-Cu, melting point : 219 Centigrade)

TABLE OF CONTENTS

1	PRECAUTIONS	1-6
2	SPECIFIC SERVICE INSTRUCTIONS	1-9
3	DISASSEMBLY	1-10
4	ADJUSTMENT	1-24
5	TROUBLESHOOTING	1-31

SPECIFICATION

KD-ADV6270/KD-DV6200

AUDIO AMPLIFIER SECTION		
Power Output	20 W RMS × 4 Channels at 4 Ω and [$<$ or $=$] 1% THD+N	
Signal to Noise Ratio	80 dBA (reference: 1 W into 4 Ω)	
Load Impedance	4 Ω (4 Ω to 8 Ω allowance)	
Equalizer Control Range	Frequencies	60 Hz, 150 Hz, 400 Hz, 1 kHz, 2.4 kHz, 6 kHz, 15 kHz
	Level	±10 dB
Audio Output Level	Digital (DIGITAL OUT: Optical)	Signal wave length : 660 nm Output level : -21 dBm to -15 dBm
	Line-Out Level/Impedance	KD-ADV6270 : 5.0 V/20 kΩ load (full scale) KD-DV6200 : 2.5 V/20 kΩ load (full scale)
	Output Impedance	1 kΩ
Subwoofer-out Level/Impedance	KD-ADV6270 : 2.5 V/20 kΩ load (full scale) KD-DV6200 : 2.0 V/20 kΩ load (full scale)	
Color system	NTSC	
Video Output (composite)	1 Vp-p/75 Ω	
Other Terminals	LINE IN, CD changer, 2nd AUDIO OUT	
TUNER SECTION		
Frequency Range	FM	87.5 MHz to 107.9 MHz (with channel interval set to 100 kHz or 200 kHz) 87.5 MHz to 108.0 MHz (with channel interval set to 50 kHz)
	AM	530 kHz to 1 710 kHz (with channel interval set to 10 kHz) 531 kHz to 1 602 kHz (with channel interval set to 9 kHz)
FM Tuner	Usable Sensitivity	11.3 dBf (1.0 μV/75 Ω)
	50 dB Quieting Sensitivity	16.3 dBf (1.8 μV/75 Ω)
	Alternate Channel Selectivity (400 kHz)	65 dB
	Frequency Response	40 Hz to 15 000 Hz
	Stereo Separation	35 dB
AM Tuner	Sensitivity/Selectivity	20 μV/35 dB
DVD/CD PLAYER SECTION		
Signal Detection System	Non-contact optical pickup (semiconductor laser)	
Number of Channels	2 channels (stereo)	
Frequency Response	DVD, fs=48 kHz	16 Hz to 22 000 Hz
	DVD, fs=96 kHz	16 Hz to 22 000 Hz
	CD, fs=44.1 kHz	16 Hz to 20 000 Hz
Dynamic Range	96 dB	
Signal-to-Noise Ratio	98 dB	
Wow and Flutter	Less than measurable limit	
DivX	Video : Max. Resolution	720 × 480 pixels (30 fps) 720 × 576 pixels (25 fps)
	Audio	Bit Rate : 32 kbps - 320 kbps
	Sampling Frequency	MPEG-1 : 32 kHz, 44.1 kHz, 48 kHz MPEG-2 : 16 kHz, 22.05 kHz, 24 kHz
MPEG Video	Video : Max. Resolution	720 × 480 pixels (30 fps) 720 × 576 pixels (25 fps)
	Audio	Bit Rate : 32 kbps - 384 kbps
	Sampling Frequency	32 kHz, 44.1 kHz, 48 kHz
MP3	Bit Rate	32 kbps - 320 kbps
	Sampling Frequency	MPEG-1 : 32 kHz, 44.1 kHz, 48 kHz MPEG-2 : 16 kHz, 22.05 kHz, 24 kHz
WMA	Bit Rate	32 kbps - 320 kbps
	Sampling Frequency	22.05 kHz, 32 kHz, 44.1 kHz, 48 kHz
WAV	Quantization Bit Rate	16 bit
	Sampling Frequency	44.1 kHz
USB MEMORY		
Format	FAT 12/16/32	
Storage	Less than 4 GB (1 partition type)	
Playable Audio Format	MP3/WMA	
Max. Current	Less than 500 mA	
MP3	Bit Rate	32 kbps - 320 kbps
	Sampling Frequency	MPEG-1 : 48 kHz, 44.1 kHz, 32 kHz MPEG-2 : 24 kHz, 22.05 kHz, 16 kHz MPEG-2.5 : 12 kHz, 11.025 kHz, 8 kHz
WMA	Bit Rate	5 kbps - 320 kbps
	Sampling Frequency	8 kHz - 48 kHz
GENERAL		
Power Requirement	Operating Voltage	DC 14.4 V (11 V to 16 V allowance)
Grounding System	Negative ground	
Allowable Operating Temperature	0°C to +40°C (32°F to 104°F)	
Dimensions (W × H × D)	Installation Size (approx.)	182 mm × 52 mm × 158 mm (7-3/16" × 2-1/16" × 6-1/4")
	Panel Size (approx.)	188 mm × 58 mm × 11 mm (7-7/16" × 2-5/16" × 7/16")
Mass (approx.)	1.7 kg (3.3 lbs) (excluding accessories)	

KD-DV6201/KD-DV6202

AUDIO AMPLIFIER SECTION		
Maximum Power Output	Front/Rear	50 W per channel
Continuous Power Output (RMS)	Front/Rear	19 W per channel into 4 Ω , 40 Hz to 20 000 Hz at no more than 0.8% total harmonic distortion
Load Impedance		4 Ω (4 Ω to 8 Ω allowance)
Equalizer Control Range	Frequencies	60 Hz, 150 Hz, 400 Hz, 1 kHz, 2.4 kHz, 6 kHz, 15 kHz
	Level	± 10 dB
Signal to Noise Ratio		70 dB
Audio Output Level	Digital (DIGITAL OUT: Optical)	Signal wave length : 660 nm Output level : -21 dBm to -15 dBm
	Line-Out Level/Impedance	2.5 V/20 k Ω load (full scale)
	Output Impedance	1 k Ω
Subwoofer-out Level/Impedance		2.0 V/20 k Ω load (full scale)
Color system		PAL
Video Output (composite)		1 V _{p-p} /75 Ω
Other Terminals		LINE IN, CD changer, 2nd AUDIO OUT
TUNER SECTION		
Frequency Range	FM	87.5 MHz to 108.0 MHz
	AM	(MW) 522 kHz to 1 620 kHz (LW) 144 kHz to 279 kHz
FM Tuner	Usable Sensitivity	11.3 dBf (1.0 μ V/75 Ω)
	50 dB Quieting Sensitivity	16.3 dBf (1.8 μ V/75 Ω)
	Alternate Channel Selectivity (400 kHz)	65 dB
	Frequency Response	40 Hz to 15 000 Hz
	Stereo Separation	30 dB
MW Tuner	Sensitivity/Selectivity	20 μ V/35 dB
LW Tuner	Sensitivity	50 μ V
DVD/CD PLAYER SECTION		
Signal Detection System		Non-contact optical pickup (semiconductor laser)
Number of Channels		2 channels (stereo)
Frequency Response	DVD, fs=48 kHz	16 Hz to 22 000 Hz
	DVD, fs=96 kHz	16 Hz to 22 000 Hz
	CD, fs=44.1 kHz	16 Hz to 20 000 Hz
Dynamic Range		96 dB
Signal-to-Noise Ratio		98 dB
Wow and Flutter		Less than measurable limit
DivX	Video : Max. Resolution	720 \times 480 pixels (30 fps) 720 \times 576 pixels (25 fps)
	Audio	Bit Rate : 32 kbps - 320 kbps
	Sampling Frequency	MPEG-1 : 32 kHz, 44.1 kHz, 48 kHz MPEG-2 : 16 kHz, 22.05 kHz, 24 kHz
MPEG Video	Video : Max. Resolution	720 \times 480 pixels (30 fps) 720 \times 576 pixels (25 fps)
	Audio	Bit Rate : 32 kbps - 384 kbps Sampling Frequency : 32 kHz, 44.1 kHz, 48 kHz
MP3	Bit Rate	32 kbps - 320 kbps
	Sampling Frequency	MPEG-1 : 32 kHz, 44.1 kHz, 48 kHz MPEG-2 : 16 kHz, 22.05 kHz, 24 kHz
WMA	Bit Rate	32 kbps - 320 kbps
	Sampling Frequency	22.05 kHz, 32 kHz, 44.1 kHz, 48 kHz
WAV	Quantization Bit Rate	16 bit
	Sampling Frequency	44.1 kHz
USB MEMORY		
Format		FAT 12/16/32
Storage		Less than 4 GB (1 partition type)
Playable Audio Format		MP3/WMA
Max. Current		Less than 500 mA
MP3	Bit Rate	32 kbps - 320 kbps
	Sampling Frequency	MPEG-1 : 48 kHz, 44.1 kHz, 32 kHz MPEG-2 : 24 kHz, 22.05 kHz, 16 kHz MPEG-2.5 : 12 kHz, 11.025 kHz, 8 kHz
WMA	Bit Rate	5 kbps - 320 kbps
	Sampling Frequency	8 kHz - 48 kHz
GENERAL		
Power Requirement	Operating Voltage	DC 14.4 V (11 V to 16 V allowance)
Grounding System		Negative ground
Allowable Operating Temperature		0°C to +40°C
Dimensions (W \times H \times D)	Installation Size (approx.)	182 mm \times 52 mm \times 158 mm
	Panel Size (approx.)	188 mm \times 58 mm \times 11 mm
Mass (approx.)		1.7 kg (excluding accessories)

KD-DV7205/KD-DV7206

AUDIO AMPLIFIER SECTION		
Maximum Power Output	Front/Rear	50 W per channel
Continuous Power Output (RMS)	Front/Rear	19 W per channel into 4 Ω , 40 Hz to 20 000 Hz at no more than 0.8% total harmonic distortion
Load Impedance		4 Ω (4 Ω to 8 Ω allowance)
Equalizer Control Range	Frequencies	60 Hz, 150 Hz, 400 Hz, 1 kHz, 2.4 kHz, 6 kHz, 15 kHz
	Level	± 10 dB
Signal to Noise Ratio		70 dB
Audio Output Level	Digital (DIGITAL OUT: Optical)	Signal wave length : 660 nm Output level : -21 dBm to -15 dBm
	Line-Out Level/Impedance	2.5 V/20 k Ω load (full scale)
	Output Impedance	1 k Ω
Subwoofer-out Level/Impedance		2.0 V/20 k Ω load (full scale)
Color system		PAL/NTSC
Video Output (composite)		1 V _{p-p} /75 Ω
Other Terminals		LINE IN, CD changer, 2nd AUDIO OUT
TUNER SECTION		
Frequency Range	FM	87.5 MHz to 108.0 MHz
	AM	531 kHz to 1 602 kHz
FM Tuner	Usable Sensitivity	11.3 dBf (1.0 μ V/75 Ω)
	50 dB Quieting Sensitivity	16.3 dBf (1.8 μ V/75 Ω)
	Alternate Channel Selectivity (400 kHz)	65 dB
	Frequency Response	40 Hz to 15 000 Hz
	Stereo Separation	30 dB
AM Tuner	Sensitivity/Selectivity	20 μ V/35 dB
DVD/CD PLAYER SECTION		
Signal Detection System		Non-contact optical pickup (semiconductor laser)
Number of Channels		2 channels (stereo)
Frequency Response	DVD, fs=48 kHz	16 Hz to 22 000 Hz
	DVD, fs=96 kHz	16 Hz to 22 000 Hz
	CD, fs=44.1 kHz	16 Hz to 20 000 Hz
Dynamic Range		96 dB
Signal-to-Noise Ratio		98 dB
Wow and Flutter		Less than measurable limit
DivX	Video : Max. Resolution	720 \times 480 pixels (30 fps) 720 \times 576 pixels (25 fps)
	Audio	Bit Rate : 32 kbps - 320 kbps
	Sampling Frequency	MPEG-1 : 32 kHz, 44.1 kHz, 48 kHz MPEG-2 : 16 kHz, 22.05 kHz, 24 kHz
MPEG Video	Video : Max. Resolution	720 \times 480 pixels (30 fps) 720 \times 576 pixels (25 fps)
	Audio	Bit Rate : 32 kbps - 384 kbps Sampling Frequency : 32 kHz, 44.1 kHz, 48 kHz
MP3	Bit Rate	32 kbps - 320 kbps
	Sampling Frequency	MPEG-1 : 32 kHz, 44.1 kHz, 48 kHz MPEG-2 : 16 kHz, 22.05 kHz, 24 kHz
WMA	Bit Rate	32 kbps - 320 kbps
	Sampling Frequency	22.05 kHz, 32 kHz, 44.1 kHz, 48 kHz
WAV	Quantization Bit Rate	16 bit
	Sampling Frequency	44.1 kHz
USB MEMORY		
Format		FAT 12/16/32
Storage		Less than 4 GB (1 partition type)
Playable Audio Format		MP3/WMA
Max. Current		Less than 500 mA
MP3	Bit Rate	32 kbps - 320 kbps
	Sampling Frequency	MPEG-1 : 48 kHz, 44.1 kHz, 32 kHz MPEG-2 : 24 kHz, 22.05 kHz, 16 kHz MPEG-2.5 : 12 kHz, 11.025 kHz, 8 kHz
WMA	Bit Rate	5 kbps - 320 kbps
	Sampling Frequency	8 kHz - 48 kHz
GENERAL		
Power Requirement	Operating Voltage	DC 14.4 V (11 V to 16 V allowance)
Grounding System		Negative ground
Allowable Operating Temperature		0°C to +40°C
Dimensions (W \times H \times D)	Installation Size (approx.)	182 mm \times 52 mm \times 158 mm
	Panel Size (approx.)	188 mm \times 58 mm \times 11 mm
Mass (approx.)		1.7 kg (excluding accessories)


KD-DV6207

AUDIO AMPLIFIER SECTION		
Maximum Power Output	Front/Rear	50 W per channel
Continuous Power Output (RMS)	Front/Rear	19 W per channel into 4 Ω , 40 Hz to 20 000 Hz at no more than 0.8% total harmonic distortion
Load Impedance		4 Ω (4 Ω to 8 Ω allowance)
Equalizer Control Range	Frequencies	60 Hz, 150 Hz, 400 Hz, 1 kHz, 2.4 kHz, 6 kHz, 15 kHz
	Level	± 10 dB
Signal to Noise Ratio		70 dB
Audio Output Level	Digital (DIGITAL OUT: Optical)	Signal wave length : 660 nm Output level : -21 dBm to -15 dBm
	Line-Out Level/Impedance	2.5 V/20 k Ω load (full scale)
	Output Impedance	1 k Ω
Subwoofer-out Level/Impedance		2.0 V/20 k Ω load (full scale)
Color system		PAL
Video Output (composite)		1 V _{p-p} /75 Ω
Other Terminals		LINE IN, CD changer, 2nd AUDIO OUT
TUNER SECTION		
Frequency Range	FM1 /FM2	87.5 MHz to 108.0 MHz
	FM3	65.00 MHz to 74.00 MHz
	AM	(MW) 522 kHz to 1 620 kHz (LW) 144 kHz to 279 kHz
FM Tuner	Usable Sensitivity	11.3 dBf (1.0 μ V/75 Ω)
	50 dB Quieting Sensitivity	16.3 dBf (1.8 μ V/75 Ω)
	Alternate Channel Selectivity (400 kHz)	65 dB
	Frequency Response	40 Hz to 15 000 Hz
	Stereo Separation	30 dB
MW Tuner	Sensitivity/Selectivity	20 μ V/35 dB
LW Tuner	Sensitivity	50 μ V
DVD/CD PLAYER SECTION		
Signal Detection System		Non-contact optical pickup (semiconductor laser)
Number of Channels		2 channels (stereo)
Frequency Response	DVD, fs=48 kHz	16 Hz to 22 000 Hz
	DVD, fs=96 kHz	16 Hz to 22 000 Hz
	CD, fs=44.1 kHz	16 Hz to 20 000 Hz
Dynamic Range		96 dB
Signal-to-Noise Ratio		98 dB
Wow and Flutter		Less than measurable limit
DivX	Video : Max. Resolution	720 \times 480 pixels (30 fps) 720 \times 576 pixels (25 fps)
	Audio	Bit Rate : 32 kbps - 320 kbps
	Sampling Frequency	MPEG-1 : 32 kHz, 44.1 kHz, 48 kHz MPEG-2 : 16 kHz, 22.05 kHz, 24 kHz
MPEG Video	Video : Max. Resolution	720 \times 480 pixels (30 fps) 720 \times 576 pixels (25 fps)
	Audio	Bit Rate : 32 kbps - 384 kbps
	Sampling Frequency	32 kHz, 44.1 kHz, 48 kHz
MP3	Bit Rate	32 kbps - 320 kbps
	Sampling Frequency	MPEG-1 : 32 kHz, 44.1 kHz, 48 kHz MPEG-2 : 16 kHz, 22.05 kHz, 24 kHz
WMA	Bit Rate	32 kbps - 320 kbps
	Sampling Frequency	22.05 kHz, 32 kHz, 44.1 kHz, 48 kHz
WAV	Quantization Bit Rate	16 bit
	Sampling Frequency	44.1 kHz
USB MEMORY		
Format		FAT 12/16/32
Storage		Less than 4 GB (1 partition type)
Playable Audio Format		MP3/WMA
Max. Current		Less than 500 mA
MP3	Bit Rate	32 kbps - 320 kbps
	Sampling Frequency	MPEG-1 : 48 kHz, 44.1 kHz, 32 kHz MPEG-2 : 24 kHz, 22.05 kHz, 16 kHz MPEG-2.5 : 12 kHz, 11.025 kHz, 8 kHz
WMA	Bit Rate	5 kbps - 320 kbps
	Sampling Frequency	8 kHz - 48 kHz
GENERAL		
Power Requirement	Operating Voltage	DC 14.4 V (11 V to 16 V allowance)
Grounding System		Negative ground
Allowable Operating Temperature		0°C to +40°C
Dimensions (W \times H \times D)	Installation Size (approx.)	182 mm \times 52 mm \times 158 mm
	Panel Size (approx.)	188 mm \times 58 mm \times 11 mm
Mass (approx.)		1.7 kg (excluding accessories)

Design and specifications are subject to change without notice.

SECTION 1 PRECAUTIONS

1.1 Safety Precautions

 **CAUTION** Burrs formed during molding may be left over on some parts of the chassis. Therefore, pay attention to such burrs in the case of performing repair of this system.

 **CAUTION** Please use enough caution not to see the beam directly or touch it in case of an adjustment or operation check.

1.2 Preventing static electricity

Electrostatic discharge (ESD), which occurs when static electricity stored in the body, fabric, etc. is discharged, can destroy the laser diode in the traverse unit (optical pickup). Take care to prevent this when performing repairs.

1.2.1 Grounding to prevent damage by static electricity

Static electricity in the work area can destroy the optical pickup (laser diode) in devices such as laser products.

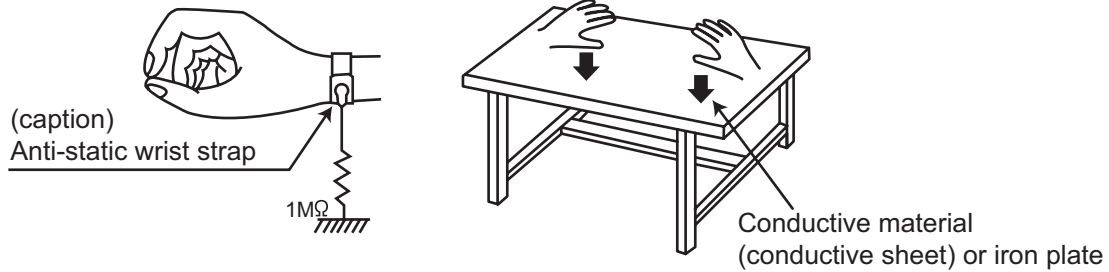
Be careful to use proper grounding in the area where repairs are being performed.

(1) Ground the workbench

Ground the workbench by laying conductive material (such as a conductive sheet) or an iron plate over it before placing the traverse unit (optical pickup) on it.

(2) Ground yourself

Use an anti-static wrist strap to release any static electricity built up in your body.



(3) Handling the optical pickup

- In order to maintain quality during transport and before installation, both sides of the laser diode on the replacement optical pickup are shorted. After replacement, return the shorted parts to their original condition. (Refer to the text.)
- Do not use a tester to check the condition of the laser diode in the optical pickup. The tester's internal power source can easily destroy the laser diode.

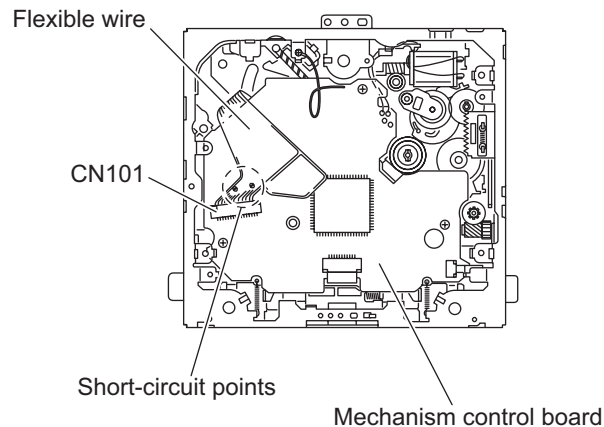
1.3 Handling the traverse unit (optical pickup)

- (1) Do not subject the traverse unit (optical pickup) to strong shocks, as it is a sensitive, complex unit.
- (2) Cut off the shorted part of the flexible cable using nippers, etc. after replacing the optical pickup. For specific details, refer to the replacement procedure in the text. Remove the anti-static pin when replacing the traverse unit. Be careful not to take too long a time when attaching it to the connector.
- (3) Handle the flexible cable carefully as it may break when subjected to strong force.
- (4) It is not possible to adjust the semi-fixed resistor that adjusts the laser power. Do not turn it.

1.4 Attention when traverse unit is decomposed

***Please refer to "Disassembly method" in the text for the pickup unit.**

- Apply solder to the short land before the flexible wire is disconnected from the connector on the pickup unit. (If the flexible wire is disconnected without applying solder, the pickup may be destroyed by static electricity.)
- In the assembly, be sure to remove solder from the short land after connecting the flexible wire.



1.5 Important for laser products

1. CLASS 1 LASER PRODUCT

2. DANGER : Invisible laser radiation when open and interlock failed or defeated. Avoid direct exposure to beam.

3. CAUTION : There are no serviceable parts inside the Laser Unit. Do not disassemble the Laser Unit. Replace the complete Laser Unit if it malfunctions.

4. CAUTION : The CD, MD and DVD player uses invisible laser radiation and is equipped with safety switches which prevent emission of radiation when the drawer is open and the safety interlocks have failed or are defeated. It is dangerous to defeat the safety switches.

5. CAUTION : If safety switches malfunction, the laser is able to function.

6. CAUTION : Use of controls, adjustments or performance of procedures other than those specified here in may result in hazardous radiation exposure.



CAUTION Please use enough caution not to see the beam directly or touch it in case of an adjustment or operation check.

CAUTION : Visible and invisible laser radiation when open and interlock failed or defeated.

AVOID DIRECT EXPOSURE TO BEAM.

ADVARSEL : Synlig og usynlig laserstråling når maskinen er åben eller interlocken fejler. Undgå direkte eksponering til stråling.

VARNING : Synlig och osynlig laserstråling när den öppnas och spärren är urkopplad. Betrakta ej strålen.

VARO : Avattaessa ja suojalukitus ohitettuna tai viallisena olet alttiina näkyvälle ja näkymättömälle lasersäteilylle. Vältä säteen kohdistumista suoraan itseesi.

REPRODUCTION AND POSITION OF LABELS

WARNING LABEL



CAUTION : Visible and Invisible laser radiation when open and interlock failed or defeated. AVOID DIRECT EXPOSURE TO BEAM. (e)	ADVARSEL : Synlig og usynlig laserstråling når maskinen er åben eller interlocken fejler. Undgå direkte eksponering til stråling. (d)	VARNING : Synlig och osynlig laserstråling när den öppnas och spärren är urkopplad. Betrakta ej strålen. (s)	VARO : Avattaessa ja suojalukitus ohitettuna tai viallisena olet alttiina näkyvälle ja näkymättömälle lasersäteilylle. Vältä säteen kohdistumista suoraan itseesi. (f)
---	--	---	---

SECTION 2
SPECIFIC SERVICE INSTRUCTIONS

This service manual does not describe SPECIFIC SERVICE INSTRUCTIONS.

SECTION 3 DISASSEMBLY

3.1 Main body section

3.1.1 Removing the front panel assembly (See Fig.1)

- (1) Push the control panel release button in the lower left part of the front panel assembly and remove the front panel assembly.
- (2) Take out the front panel assembly.

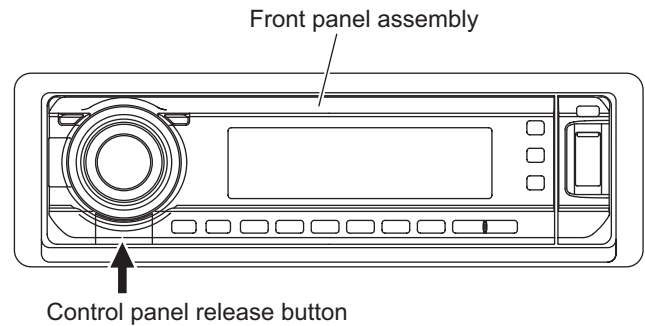


Fig.1

3.1.2 Removing the bottom cover (See Fig.2)

- (1) Turn the main body up side down.
- (2) Insert a screwdriver under the joints to release the joints **a** on the left side, joints **b** on the right side and joint **c** on the back side of the main body, then remove the bottom cover from the main body.

Caution:

When releasing the joints using a screwdriver, do not damage the main board.
When remove the bottom cover, do not missing the cooling rubber.

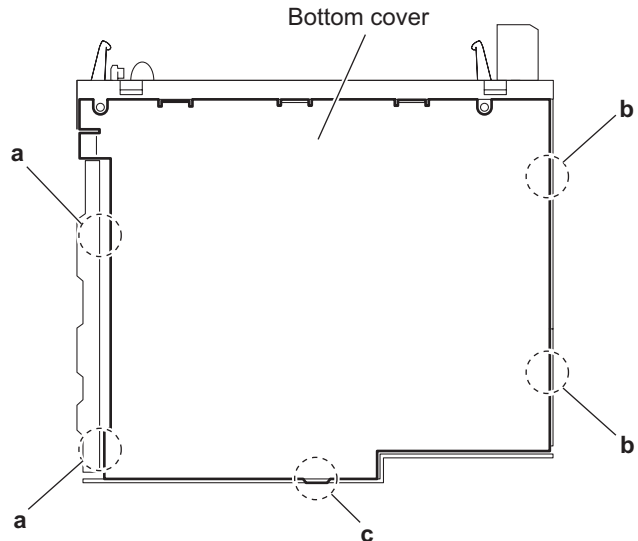


Fig.2

**3.1.3 Removing the front chassis assembly
(See Figs.3 and 4)**

- Remove the front panel assembly and bottom cover.
 - (1) Remove the two screws **A** on the front side of the main body. (See Fig.3)
 - (2) Remove the two screws **B** on the both sides of the main body. (See Fig.4)
 - (3) Release the joints **d** and joints **e** on the both sides of the main body, and then remove the front chassis assembly toward the front. (See Fig.4)

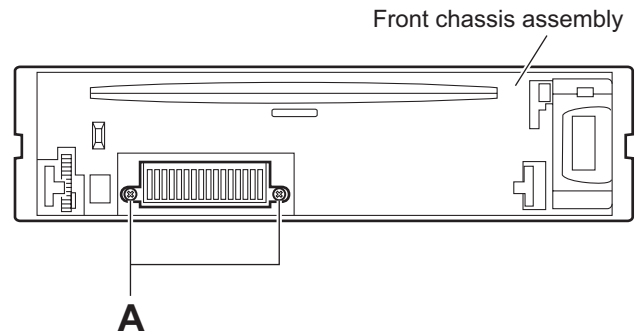


Fig.3

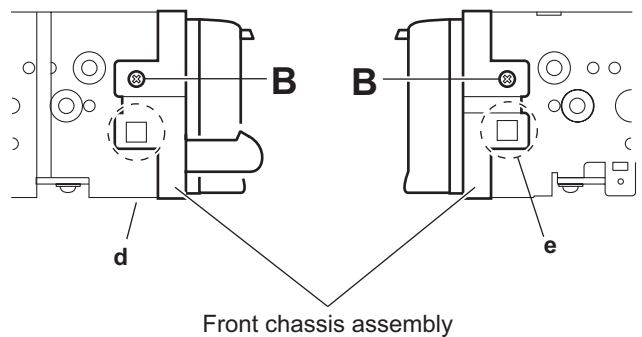


Fig.4

**3.1.4 Removing the side panel
(See Fig.5)**

Reference:

- Remove the front panel assembly as required.
- (1) Remove the two screws **C** and two screws **D** attaching the side panel on the left side of the main body.
 - (2) Take out the side panel from the main body.

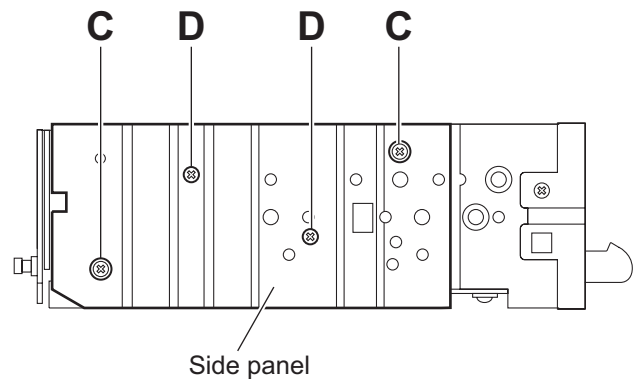


Fig.5

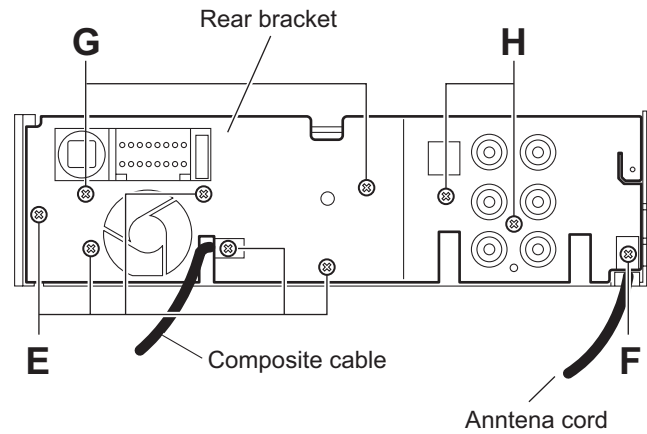
**3.1.5 Removing the rear bracket
(See Fig.6) [except KD-DV6201]**

- Remove the bottom cover.
 - (1) Remove the five screws **E**, one screw **F**, two screws **G** and two screws **G** attaching the rear bracket on the back side of the main body.
 - (2) Take out the rear bracket.

**3.1.6 Removing the rear bracket
(See Fig.6) [For KD-DV6201]**

- Remove the bottom cover.
 - (1) Remove the six screws **E**, one screw **F**, two screws **G** and two screws **G** attaching the rear bracket on the back side of the main body.
 - (2) Take out the rear bracket.

for except KD-DV6201



for KD-DV6201

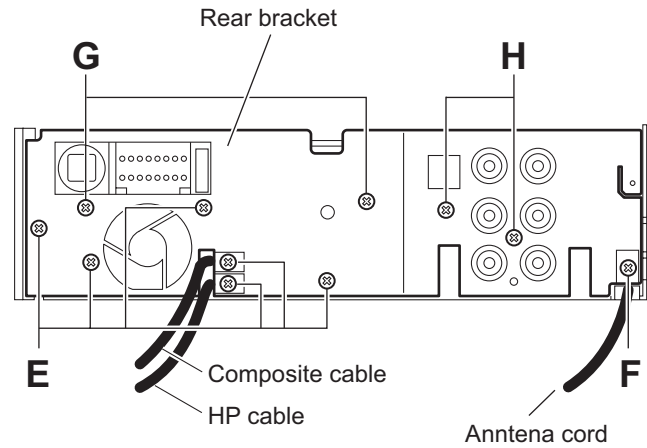


Fig.6

3.1.7 Removing the main board (See Figs.6 to 8)

- Remove the front panel assembly, bottom cover, front chassis assembly and side panel.
 - Remove the five screws **E** except KD-DV6201 or six screws **E** for KD-DV6201 attaching the rear bracket on the back side of the main body. (See Fig.6.)
 - Remove the three screws **J** attaching the main board. (See Fig.7)
 - Disconnect the connector [CN961](#) and take out the main board. (See Fig.7)
 - Remove the one screw **K** attaching the USB board. (See Fig.8)

Reference:

Remove the rear bracket as required.

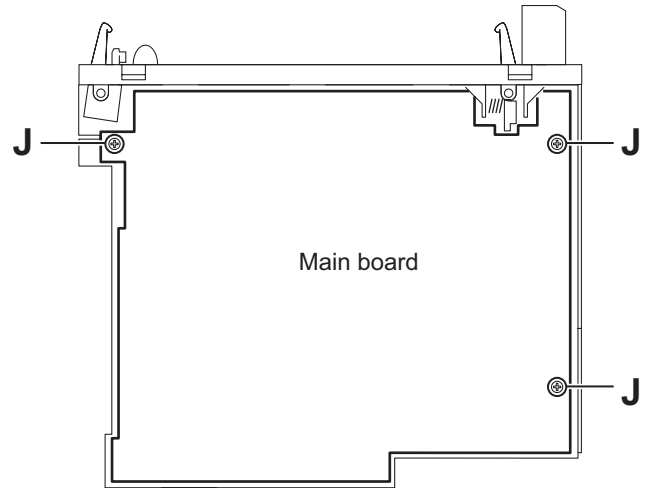


Fig.7

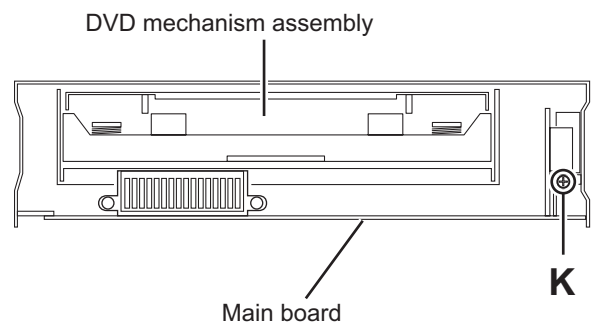


Fig.8

3.1.8 Removing the DVD mechanism assembly (See Fig.9)

- Remove the front panel assembly, bottom cover, front chassis assembly, side panel, main board and CD mechanism control board.
 - Remove the three screws **L** attaching the top chassis.
 - Take out the DVD mechanism assembly.

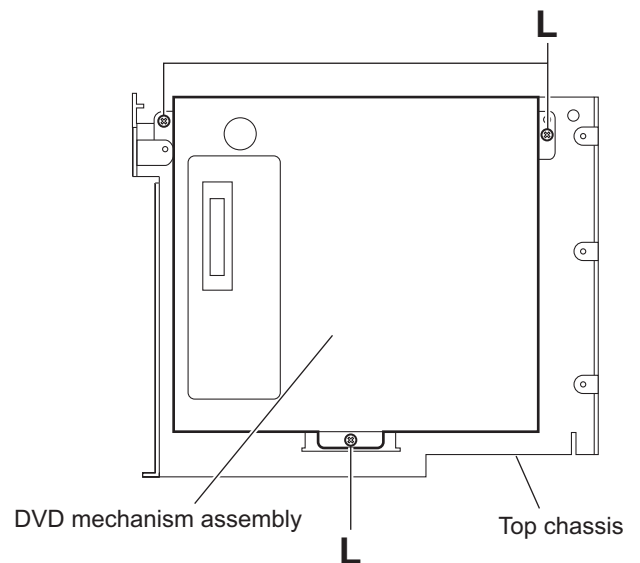


Fig.9

3.1.9 Removing the switch board (See Figs.10 to 13)

- Remove the front panel assembly.
 - Release the main volume knob from the front panel assembly. (See Fig.10)
 - Remove the five screws **M** and one screw **N** attaching the front panel assembly. (See Fig.11)
 - Release the nine joints **f** and take out the rear cover. (See Fig.12)
 - Lift the switch board from the front panel assembly little by little and take out the switch board. (See Fig.13)

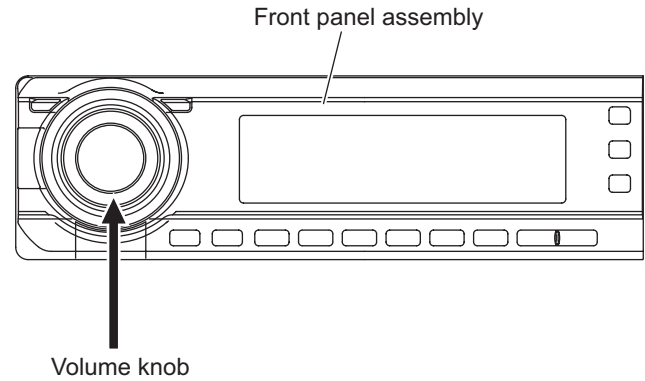


Fig.10

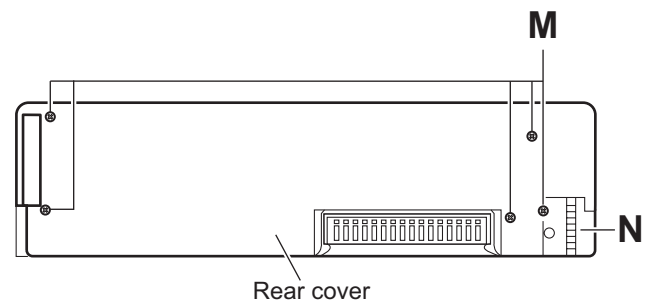


Fig.11

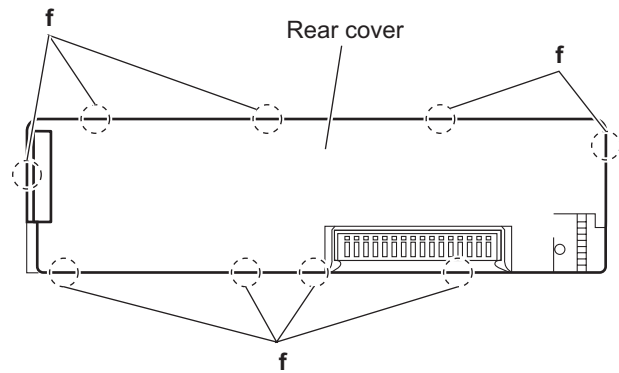


Fig.12

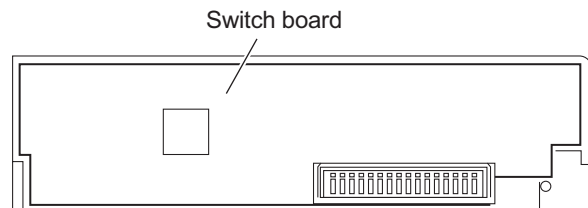


Fig.13

3.2 DVD mechanism assembly

3.2.1 Removing the mechanism control board (See Fig.1)

Caution:

Before disconnecting the flexible wire extending from the DVD pickup, solder the short-circuit point on the flexible wire using a grounding soldering iron. If you do not follow this instruction, the DVD pickup may be damaged.

- (1) Turn over the body, and solder the short-circuit points on the flexible wire extending from the DVD pickup.
- (2) Disconnect the flexible wire from connector [CN101](#) on the mechanism control board.
- (3) Disconnect the card wire from connector [CN201](#) on the mechanism control board.
- (4) Disconnect the flexible wire from connector [CN202](#) on the mechanism control board.
- (5) Unsolder two soldered points **a** on the mechanism control board and remove the wire extending from the feed motor.
- (6) Remove the screw **A** attaching the lug wire.
- (7) Remove the two screws **B** and screw **C** attaching the mechanism control board.

Caution:

- As the flexible wire to be connected to [CN101](#), make sure to attach it to the mechanism control board using a double tape.
- After reassembling, unsolder the short-circuit points.

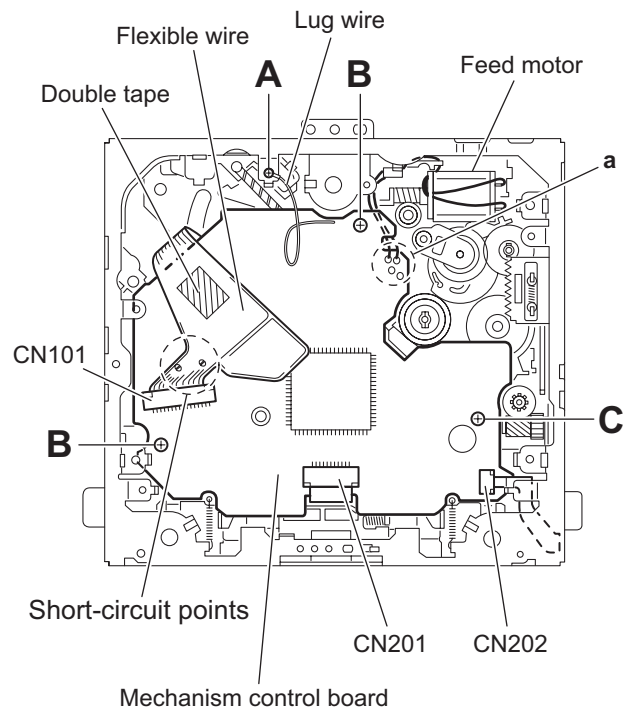


Fig.1

3.2.2 Removing the top cover (See Fig.2)

- (1) Remove the two screws **D** attaching the top cover on the back of the body.
- (2) Remove the top cover upward.

Reference:

When reassembling, set part **b** of the top cover under the bending part **c** of the chassis frame.

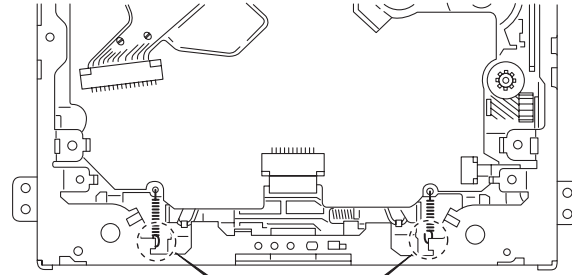
3.2.3 Removing the mechanism section (See Fig.2 to 4)

- Remove the top cover.
 - (1) From the bottom of the body, remove the screw **E** attaching the lug wire. (See Fig.2.)
 - (2) Remove the two screws **F** attaching the right and left stoppers on the front side. (See Fig.2.)
 - (3) Remove the two floating springs on the bottom of the body. (See Fig.3.)
 - (4) Move the mechanism section upward and remove from the chassis frame.

The three damper springs come off from the dampers.
(See Fig.4.)

Caution:

- When reassembling, reattach the damper spring to the damper respectively and insert the three shafts on the bottom of the mechanism to the dampers.
- Before inserting the shaft to the dampers, apply IPA to the hole of damper.



Floating spring

Fig.3

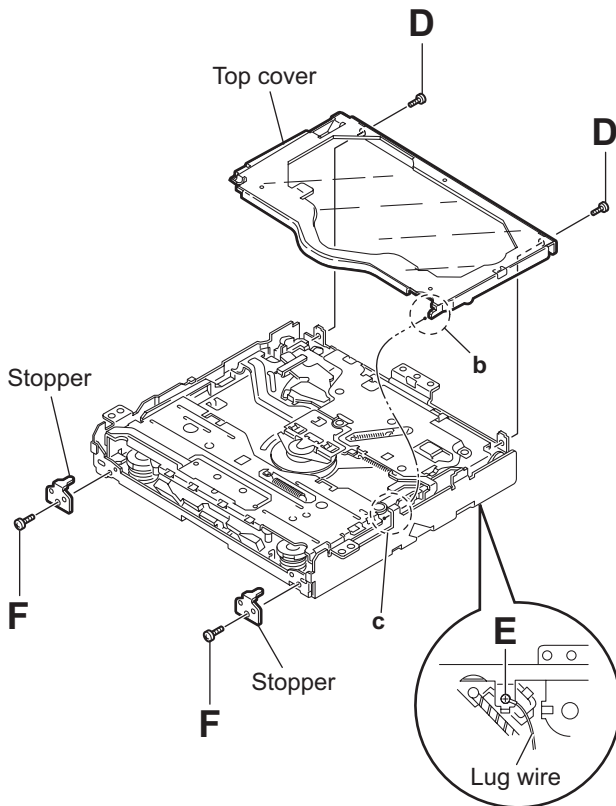


Fig.2

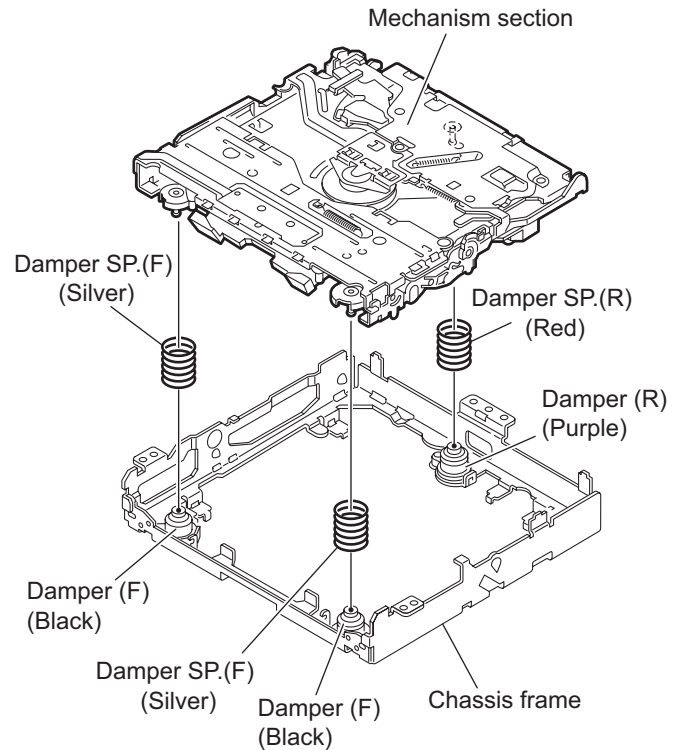


Fig.4

3.2.4 Removing the clamber unit (See Fig.5 to 7)

- Remove the top cover and the mechanism section.
 - Remove the clamber2 spring on the bottom of the mechanism section. (See Figs.5.and 6.)
 - Release the part **d** of the clamber spring from the bending part of the chassis base assembly. (See Fig.7.)
 - Move the clamber unit in the direction of the arrow and turn. Release the two joints **e** and **f**, then remove the clamber unit upward. (See Fig.6.)

3.2.5 Reattaching the clamber unit (See Fig.5 to 9)

- Attach the clamber spring to the clamber unit. (See Fig.8.)
- Move the clamber unit to set the side joints **e** and **f** to each boss of the chassis base assembly. Make sure that part **g** is inserted to the notch of the chassis base assembly. (See Figs.5 and 9.)
- Move the part **d** of the clamber spring to the outside of the bending part of the chassis base assembly. (See Fig.7.)
- Attach the clamber2 spring to the chassis base assembly. (See Figs.5 and 6.)

Caution:

When reattaching, temporarily hook the end of the clamber spring as shown in the figure to make the work easy. (See Fig.8.)

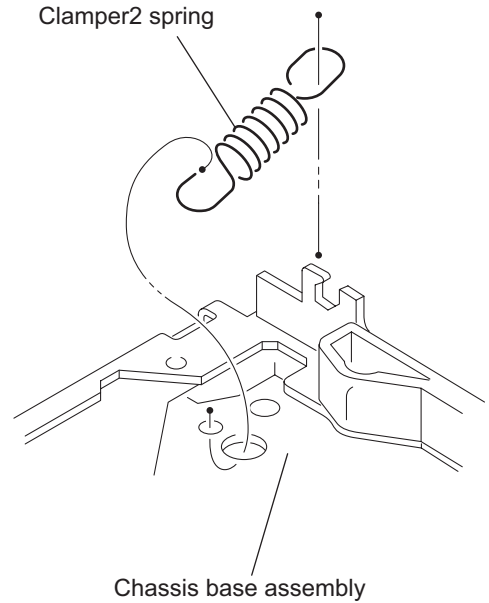


Fig.6

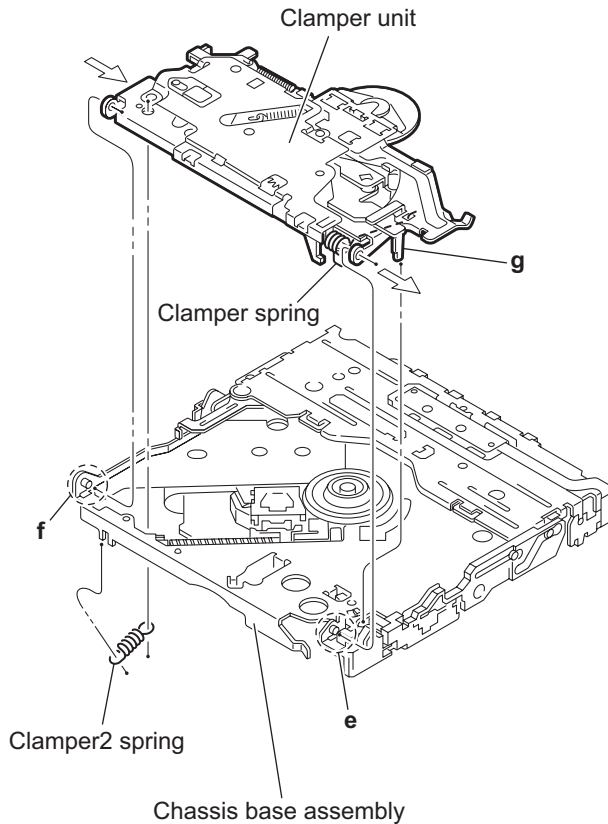


Fig.5

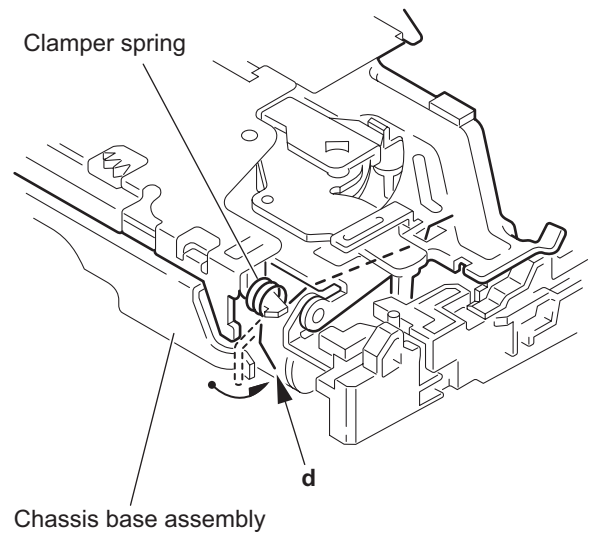


Fig.7

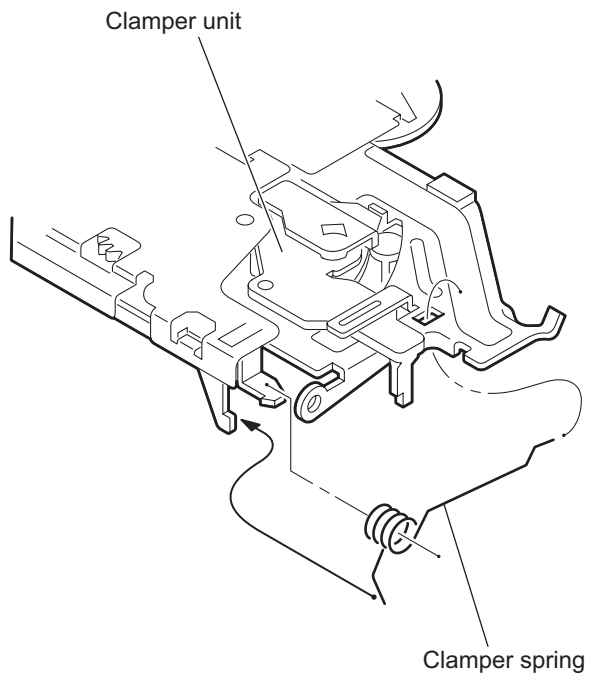


Fig.8

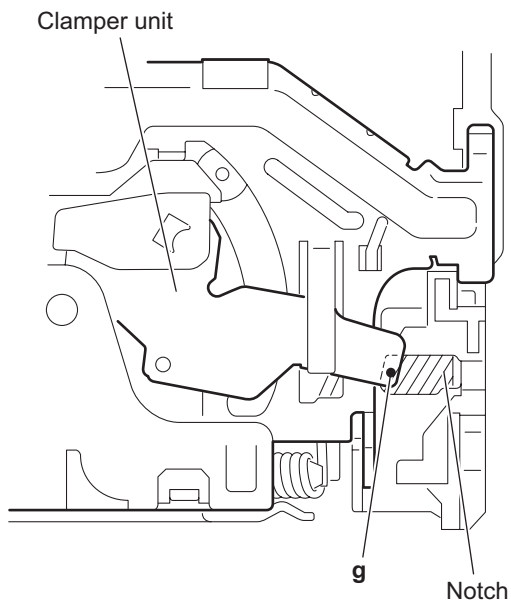


Fig.9

3.2.6 Removing the front unit (See Fig.10 to 12)

- Remove the top cover and the mechanism section.
 - (1) Disconnect the flexible wire from connector [CN202](#) on the mechanism control board at the bottom of the body. (See Fig.10.)
 - (2) Remove the screw **G** attaching the front unit on the top of the body. (See Fig.11.)
 - (3) Move the front unit toward the front to release joint **h**, and release two joints **i** and **j** on the right side of the chassis base assembly. Then remove the front unit upward. (See Figs.11 and 12.)
 - (4) Remove the two screws **H** attaching the switch board. (See Fig.12.)

Reference:

You can remove the switch board only without removing the front unit.

Caution:

When reassembling, attach the flexible wire extending from the switch board using the double tape. (See Figs.10 and 12.)

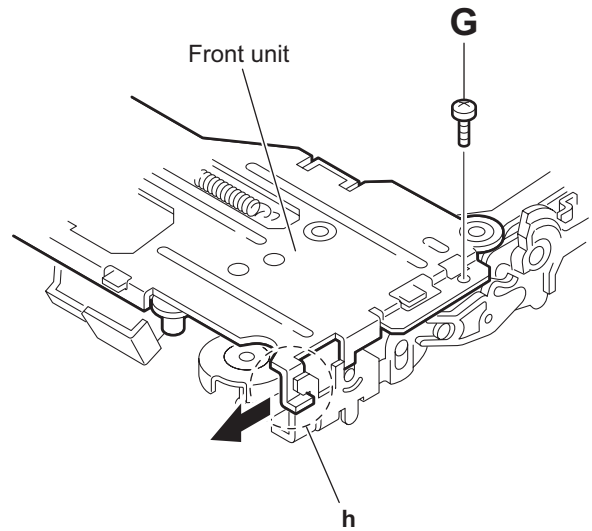


Fig.11

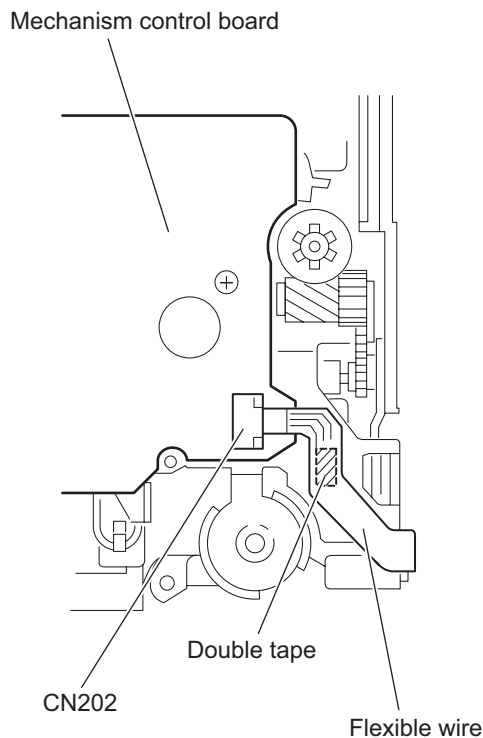


Fig.10

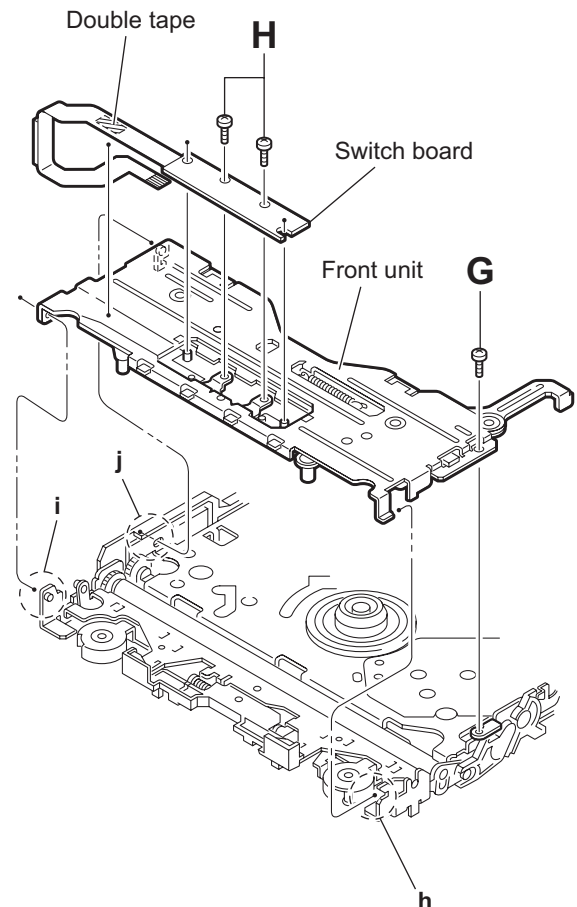


Fig.12

3.2.7 Removing the loading arm assembly (See Fig.13 , 14)

- Remove the top cover, the mechanism section and the front unit.
 - From the top of the body, move the loading arm assembly from the front side upward, and release the bosses from the right and left joints **k** and **m** of the chassis base assembly.
 - Release the boss from notch **n** of the connect arm on the right side of the body, and release the boss from notch **p** of the side cam assembly on the left side.

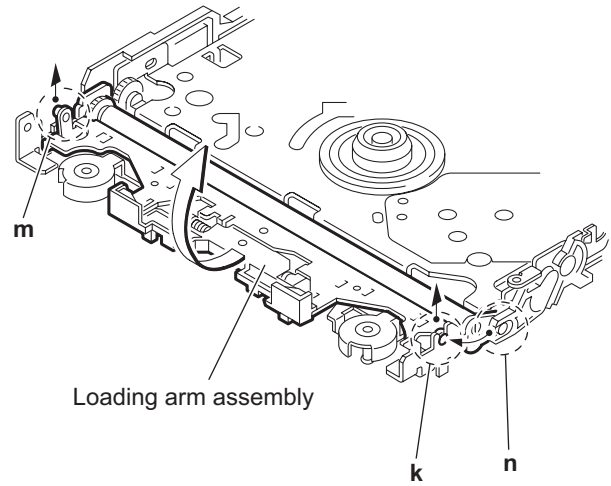


Fig.13

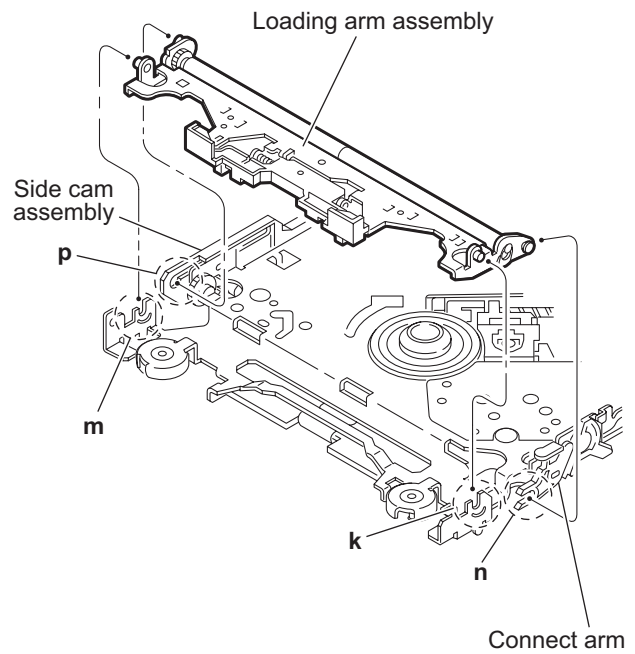


Fig.14

3.2.8 Removing the rod (L)(R)/roller assembly (See Fig.15 and 16)

- Remove the top cover, the mechanism section, the front unit and the loading arm assembly.
 - Release the rod (L) and (R) from the joints **q** at the bottom of the loading arm assembly (See Fig.15.)
 - Remove the roller assembly from the loading arm assembly. (See Fig.16.)
 - Remove the two collars and washer from the roller assembly. (See Fig.16.)

Caution:

After attaching the loading arm assembly to the roller assembly, attach the rod (L) and (R). Attach the rods to the right and left collars of the roller. (See Fig.15.)

When reattaching the rod (L) and (R) to the loading arm assembly, engage each joint as shown in Fig.15. As joints **q** of the rod (L), let the rod through **q** before reattaching it.

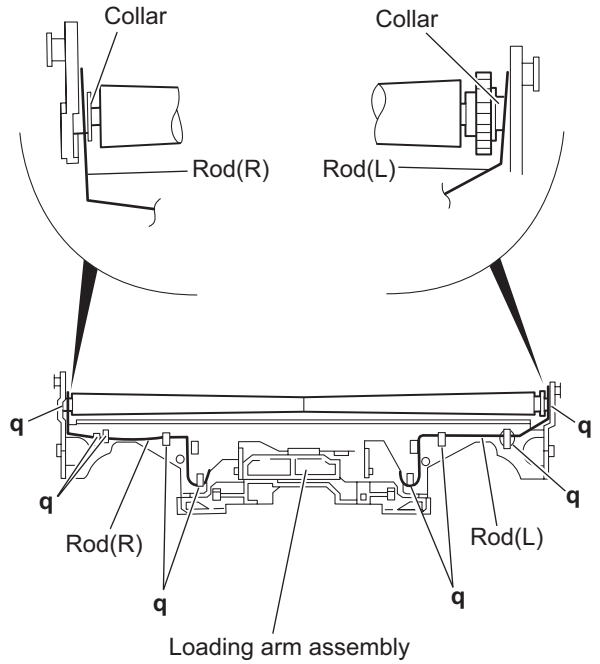


Fig.15

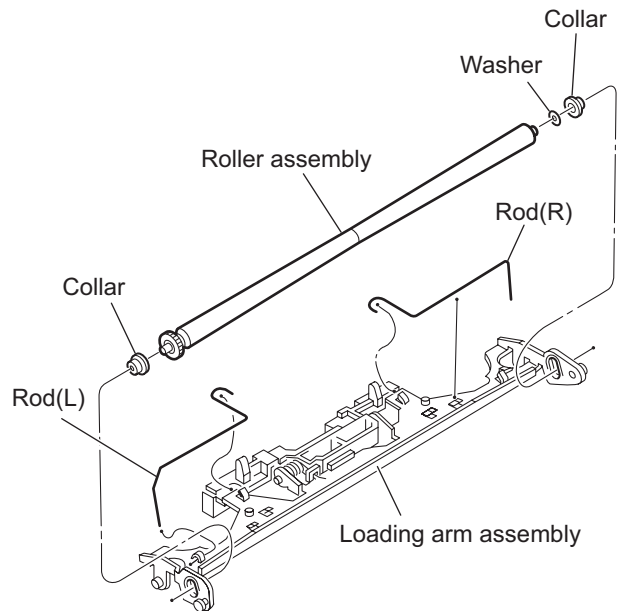


Fig.16

3.2.9 Removing the DVD pickup assembly (See Fig.17 to 19)

- Remove the mechanism control board.
- (1) From the bottom of the body, turn the feed gear in the direction of the arrow to move the DVD pickup outwards. (See Fig.17.)
- (2) Remove the screw **J** attaching the thrust spring. (See Fig.17.)
- (3) Remove the DVD pickup assembly upward on the L.S.gear side and release from sub shaft at joint **r**. Move the lead screw of the DVD pickup assembly in the direction of the arrow to release from joint **s**. (See Fig.18.)

Caution:

- When releasing the lead screw at joint **s**, the L.S.collar comes off at the end of the lead screw. When reassembling, reattach the L.S.collar to the lead screw and engage joint **s**. (See Fig.18.)
 - When reattaching the L.S.collar, reattach it to the point **s** of the lead screw, and to the rod (M). Make sure that the L.S.collar is set on the rod (M) spring. (See Fig.18.)
- (4) Remove the screw **K** attaching the rack spring/ rack plate on the DVD pickup. (See Fig.19.)
 - (5) Pull out the lead screw. (See Fig.19.)

Caution:

Perform adjustment after replacing the pickup.

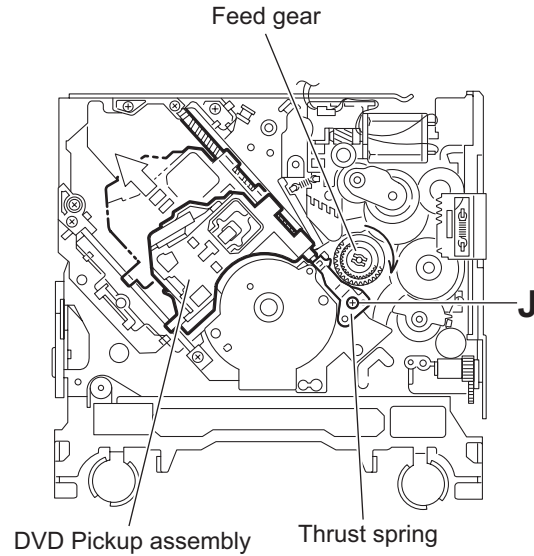


Fig.17

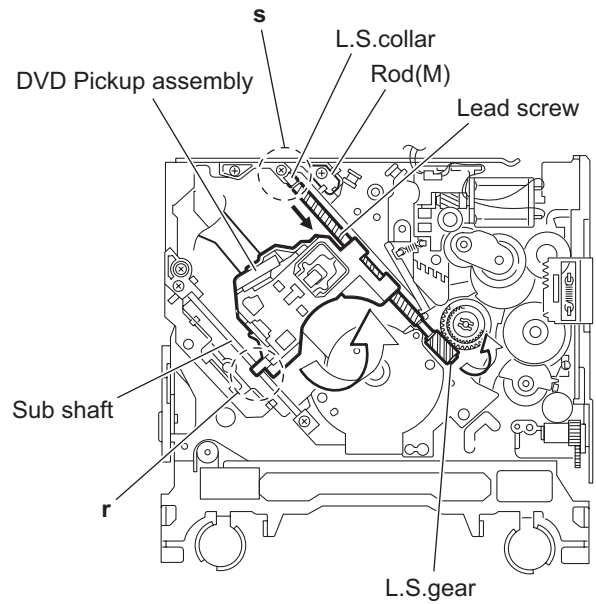


Fig.18

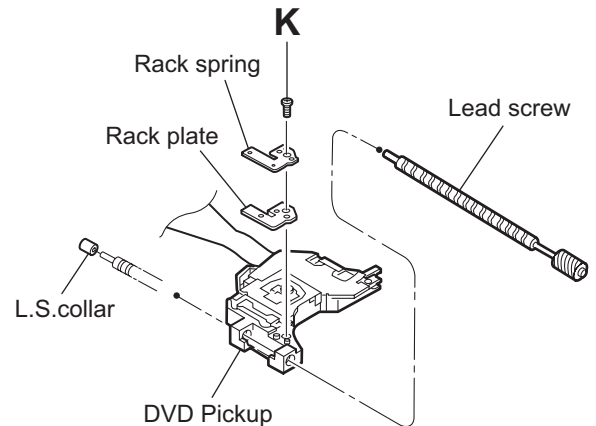


Fig.19

3.2.10 Removing the spindle motor (See Fig.20)

- Remove the mechanism control board.
Remove the two screws **L** attaching the spindle motor on the bottom of the body.

Caution:

Perform adjustment when reattaching the spindle motor.

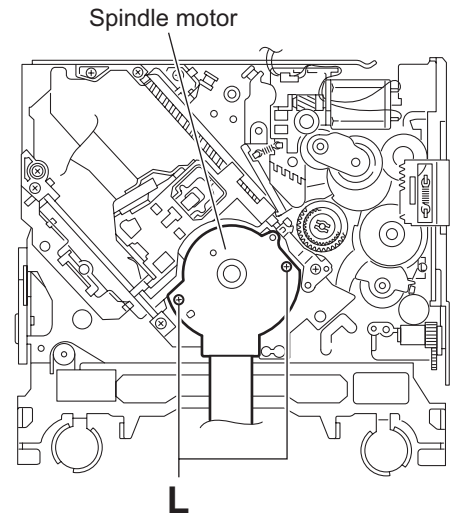


Fig.20

3.2.11 Removing the feed motor assembly (See Fig.21 and 22)

- Remove the mechanism control board.
 - Remove the feed TRI. spring on the bottom of the body.
(See Fig.21.)
 - Remove the two screws **M** attaching the feed motor assembly. (See Fig.21.)
 - Remove the slit washer from the motor H. assembly and pull out the worm wheel. (See Fig.22.)

Remove the two screws **N** attaching the feed motor. (See Fig.22.)

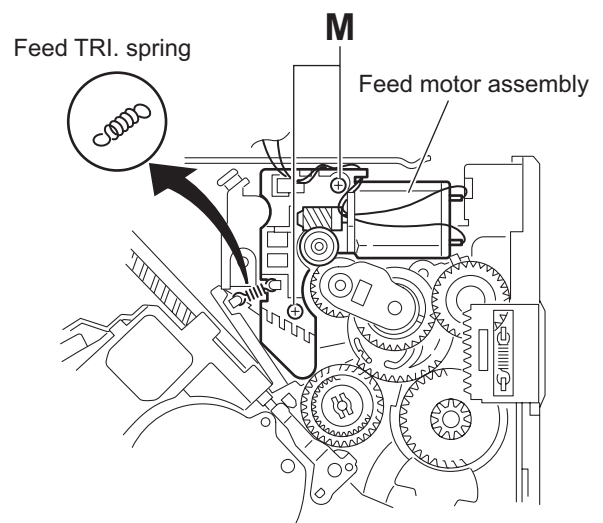


Fig.21

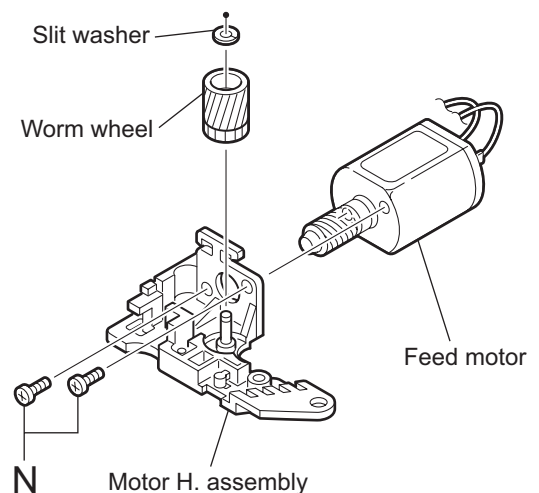


Fig.22

SECTION 4 ADJUSTMENT

4.1 Test instruments required for adjustment

- (1) Digital oscilloscope (199MHz)
- (2) Jitter meter
- (3) Digital tester
- (4) Electric voltmeter
- (5) Tracking offset meter
- (6) Test Disc : VT501 or VT502
- (7) Extension studs : STDV001-3P
- (8) Extension cable : EXTDV002-30P

4.2 Standard measuring conditions

Power supply voltage	DC14.4V(11 to 16V)
Load impedance	4Ω(2 Speakers connection)
Line Output	20KΩ

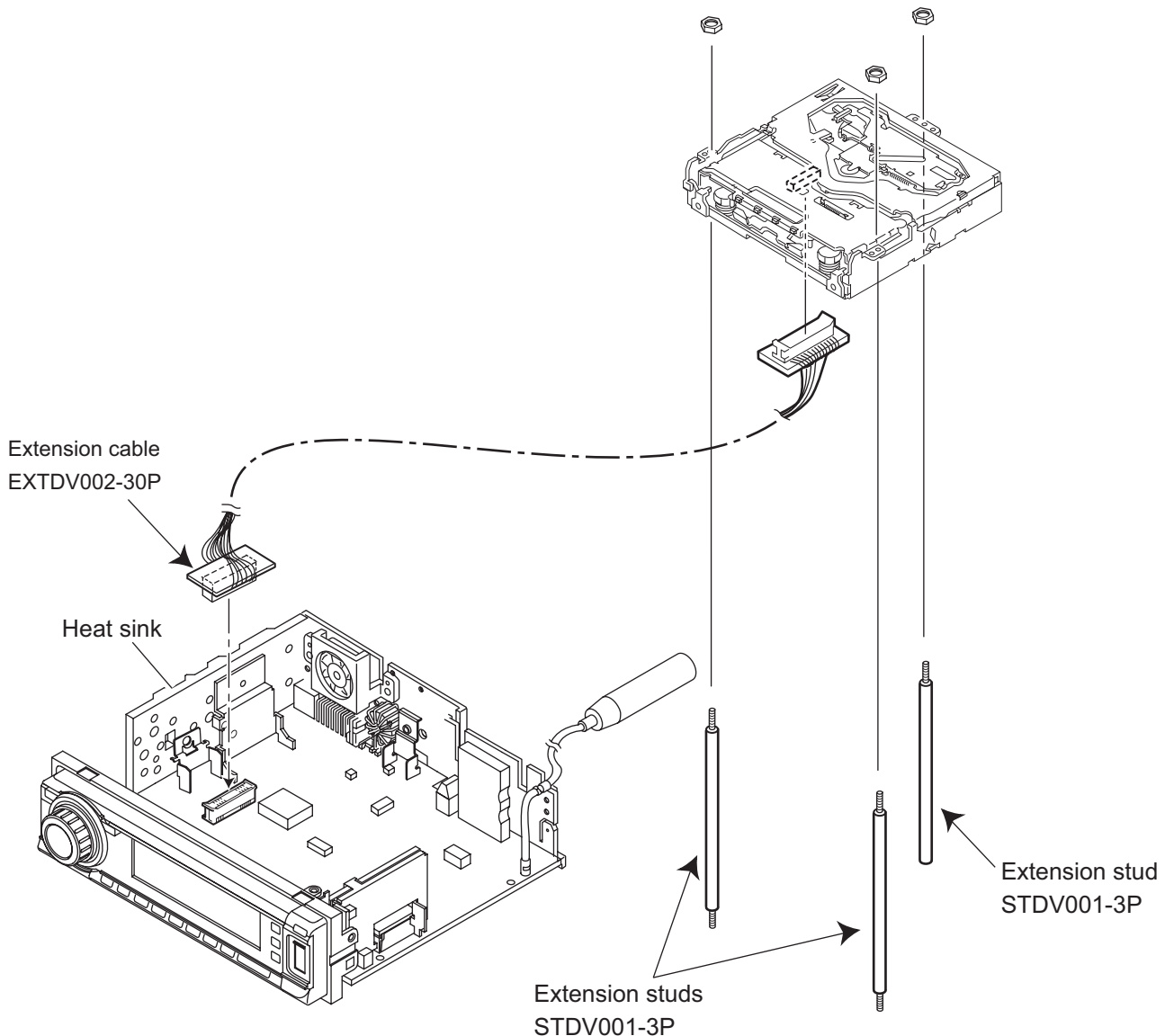
Caution:

Be sure to attach the heat sink and rear bracket onto the power amplifier IC and regulator IC respectively, before supply the power. If voltage is applied without attaching these parts, the power amplifier IC and regulator IC will be destroyed by heat.

4.3 Connection method

Connection procedure

- (1) Attach the front chassis assembly to the main board.
- (2) Connect the front panel assembly to the main board.
- (3) Attach the heat sink and rear bracket to the main board.
- (4) Attach the extension studs to the DVD mechanism assembly.
- (5) Connect the DVD mechanism assembly and the main board with a extension cable.



4.4 Adjustment method for jitter

After replacing the pickup, set the unit in the service mode to display a jitter value on the LCD.

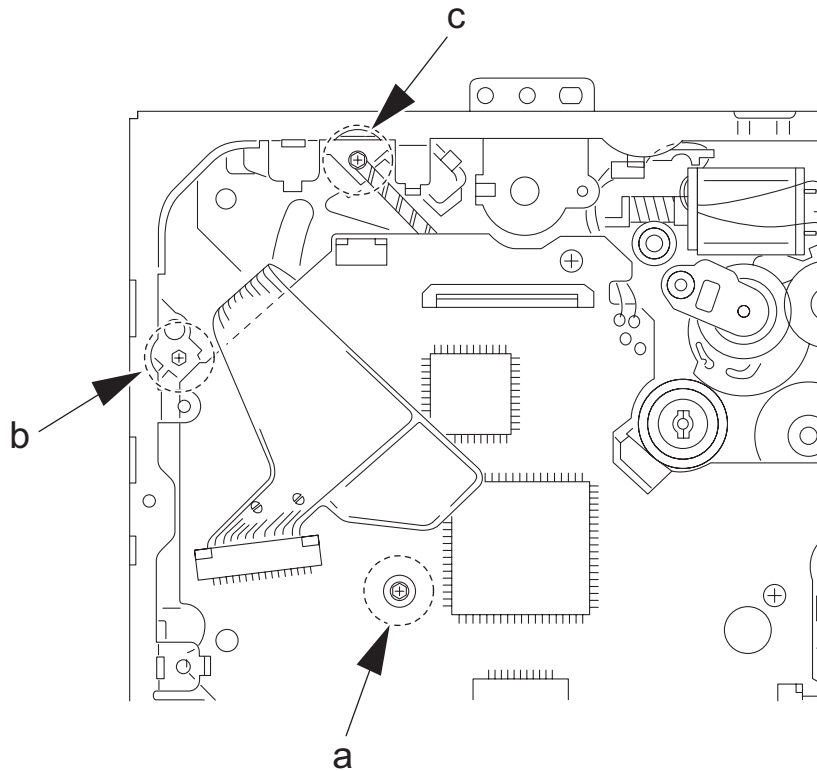
Confirm that the jitter value measured with a jitter meter is within 12% of the jitter value displayed on the LCD.

If it is within 12%, then adjustment is not necessary.

If the measured jitter value is outside the 12% tolerance range, perform the following adjustments.

4.4.1 Adjustment procedure

- (1) Set the unit to the service mode and display a jitter value (hex data) on the LCD.
- (2) Turn each of the screws a, b and c, by a half-turn per step, in the direction that reduces the jitter value in order to minimize it .
(Do not turn a screw more than a half turn at a time, but adjust the screws in the cycle of the same level is turned in the pair of b+c and the same level is turned in the pair of a+b.)
- (3) After completing the adjustment, secure the screws with screw lock paint.



Jitter value adjustment procedure (Pickup horizontal level adjustment relative to the DVD recording surface)

(For the adjustment tool use a 3 mm wrench and not a screwdriver, this procedure will make the adjustment easier.)

3 mm wrench



- (1) Set the unit to the service mode and display a jitter value (hex data) on the LCD.
- (2) Turn each of the screws a, b and c, by a half-turn per step, in the direction that reduces the jitter value in order to minimize it .
(Do not turn a screw more than a half turn at a time, but adjust the screw in the cycle of same level turn by pair of b+c→ pair of a+b.)
- (3) After completing the adjustment, secure the screws with screw lock paint.

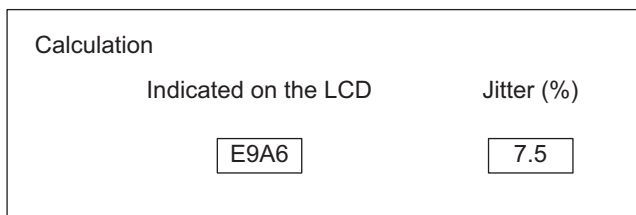
4.5 Jitter value conversion table

Load the test DVD and set the unit to the service mode. A jitter value converted to the hex value is displayed on the LCD. Refer to the corresponding decimal notation value shown in the following Jitter Conversion Table.

The adjustment is OK if the jitter value measured with a jitter meter is within 12% of the jitter value displayed on the LCD.

If the measured jitter value is outside the 12% tolerance range, adjust it to minimize the difference between the measured value and the displayed value.

Indicated on the LCD	Jitter value (%)	Indicated on the LCD	Jitter value (%)	Indicated on the LCD	Jitter value (%)
EF56	4.7	E79E	8.5	DFE6	12.3
EF22	4.8	E76A	8.6	DFB2	12.4
EEEE	4.9	E736	8.7	DF7E	12.5
EEBA	5.0	E702	8.8	DF4A	12.6
EE86	5.1	E6CE	8.9	DF16	12.7
EE52	5.2	E69A	9.0	DEE2	12.8
EE1E	5.3	E666	9.1	DEAE	12.9
EDEA	5.4	E632	9.2	DE7A	13.0
EDB6	5.5	E5FE	9.3	DE46	13.1
ED82	5.6	E5CA	9.4	DE12	13.2
ED4E	5.7	E596	9.5	DDDE	13.3
ED1A	5.8	E562	9.6	DDAA	13.4
ECE6	5.9	E52E	9.7	DD76	13.5
ECB2	6.0	E4FA	9.8	DD42	13.6
EC7E	6.1	E4C6	9.9	DD0E	13.7
EC4A	6.2	E492	10.0	DCDA	13.8
EC16	6.3	E45E	10.1	DCA6	13.9
EBE2	6.4	E42A	10.2	DC72	14.0
EBAE	6.5	E3F6	10.3	DC3E	14.1
EB7A	6.6	E3C2	10.4	DC0A	14.2
EB46	6.7	E38E	10.5	DBD6	14.3
EB12	6.8	E35A	10.6	DBA2	14.4
EADE	6.9	E326	10.7	DB6E	14.5
EAAA	7.0	E2F2	10.8	DB3A	14.6
EA76	7.1	E2BE	10.9	DB06	14.7
EA42	7.2	E28A	11.0	DAD2	14.8
EA0E	7.3	E256	11.1	DA9E	14.9
E9DA	7.4	E222	11.2	DA6A	15.0
E9A6	7.5	E1EE	11.3	DA36	15.1
E972	7.6	E1BA	11.4	DA02	15.2
E93E	7.7	E186	11.5	D9CE	15.3
E90A	7.8	E152	11.6	D99A	15.4
E8D6	7.9	E11E	11.7	D966	15.5
E8A2	8.0	E0EA	11.8	D932	15.6
E86E	8.1	E0B6	11.9	D8FE	15.7
E83A	8.2	E082	12.0	D8CA	15.8
E806	8.3	E04E	12.1	D896	15.9
E7D2	8.4	E01A	12.2	D862	16.0



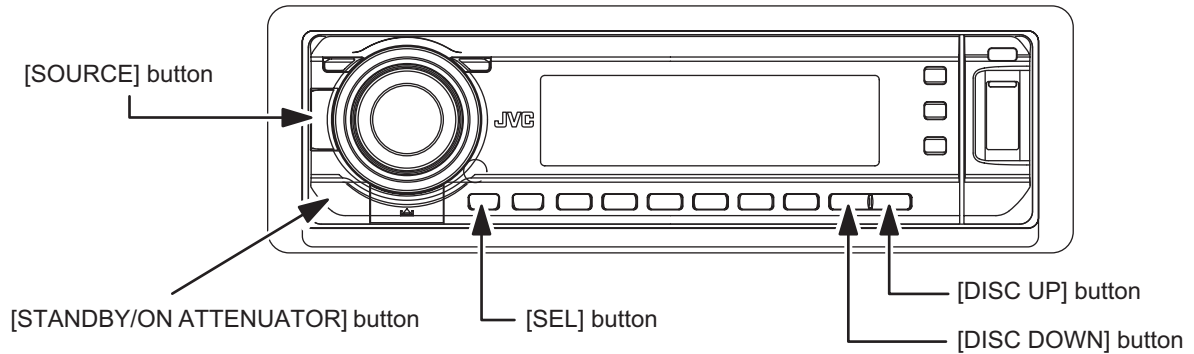
4.6 Service mode

4.6.1 Standard input/output conditions

Power supply voltage	DC14.4V(11 to 16V)
Load impedance	4Ω(2 Speakers connection)
Line Output	20KΩ

4.6.2 Service mode setting procedure

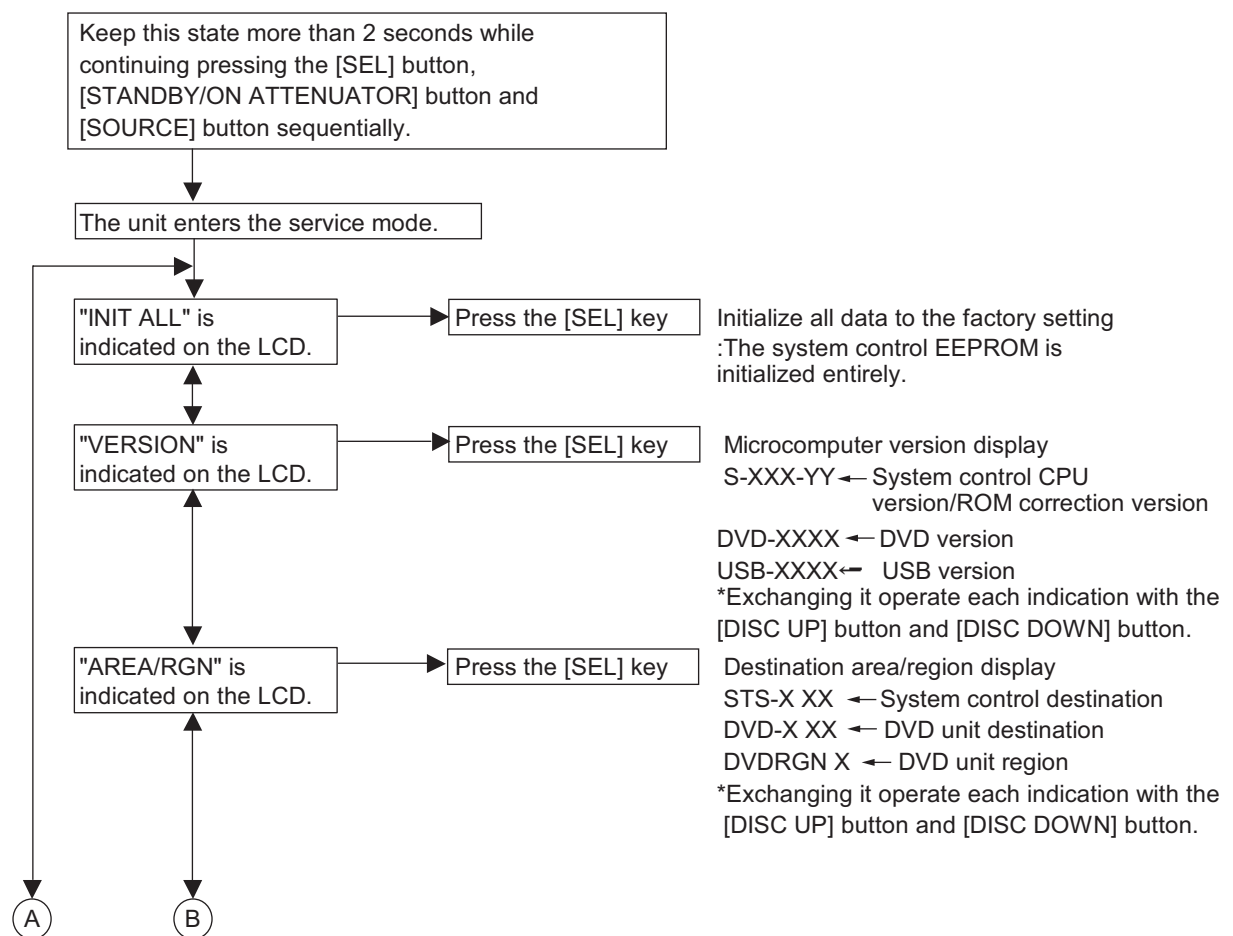
(The DVD does not need to be loaded before starting the following procedure.)

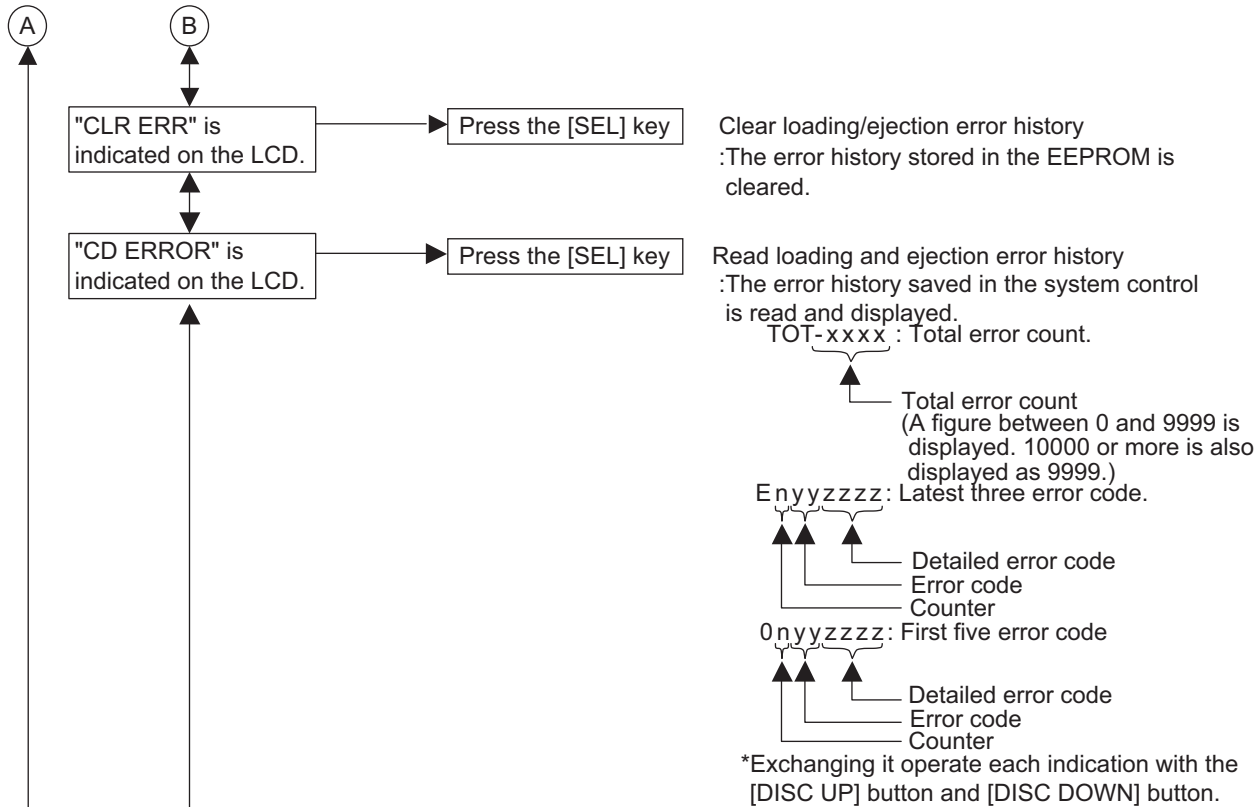


- (1) Press a [STANDBY/ON ATTENUATOR] button on a main unit and switch it on.
- (2) Keep this state more than 2 seconds while continuing pressing the [SEL] button, [STANDBY/ON ATTENUATOR] button and [SOURCE] button sequentially.
- (3) This unit is set by a service mode.

*Exchanging it operate a menu of a service mode with the [DISC UP] button and [DISC DOWN] button.
Operate choice of a menu with a [SEL] button.

4.6.3 Operation procedures





Error code (1 byte)

First byte	[01] Eject error
	[02] Loading error

Detailed error code (2 bytes)

*Displayed with loading/ejection error only.

First byte	Higher 4 bits	Route NO. (Process of error occurrence) → Refer to charts 1.1 and 1.2.
	Lower 4 bits	Error type [1] Time out [2] Switch status error [3] Swinging error
Second byte	bit7	Disc type (0: 12 cm. 1: 8 cm)
	bit6,5	Fixed at 0
	bit4	SW 1 status
	bit3	SW 2 status
	bit2	SW 3 status
	bit1	SW 1 status
	bit0	RESET SW status

(Example) When a switch status error occurs during loading route 3 and the switch status is L/L/H/H/H (00111B = 07H), the error code and detailed error code become: [09 3207].

Route No.(EJECT route No.)	SW1/2/3/4	[Rest SW]	Loading	Eject	Reload	
-	1,1,1,1	[0]	No Disc	No Disc		
1(2)	0,1,1,1	[0]	Disc insert detection ↓	↑	Disc push in	
1(2)	0,0,1,1	[0]		Eject completion	↓	
2(2)	0,0,0,1	[0]				Reload start
2(2)	0,0,1,1	[0]			↑	
2(2)	0,1,1,1	[0]				↓
2(2)	1,1,1,1	[0]				
3(1)	1,1,1,0	[0]				
3(1)	1,1,1,0	[1]		Load completion	Eject start	Load completion

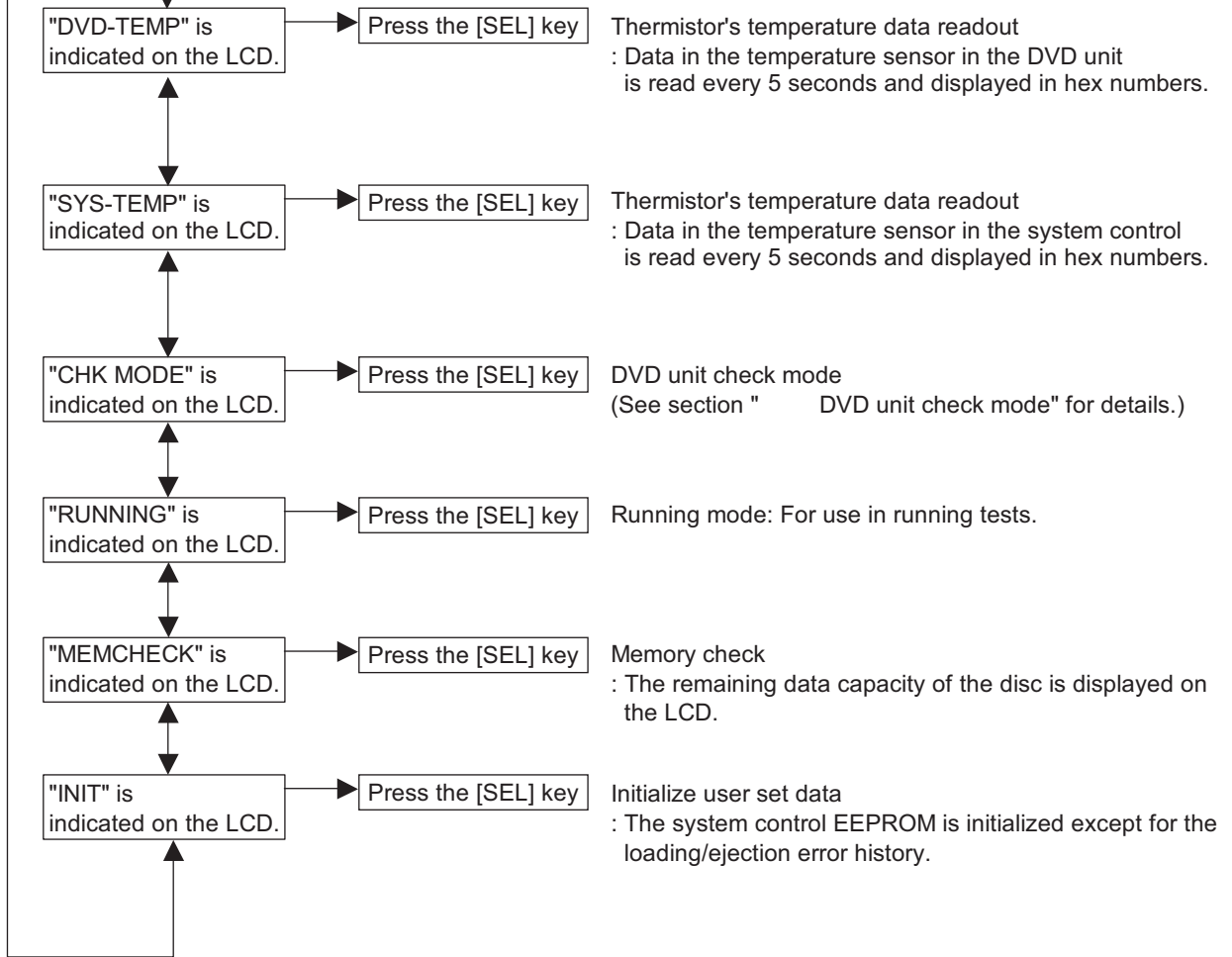
Chart 1.1 12cm Disc switch status transition

C

D

Route No.(EJECT route No.)	SW1/2/3/4	[Rest SW]	Loading *	Eject	Reload
-	1,1,1,1	[0]	No Disc	No Disc	Disc push in
1(2)	0,1,1,1	[0]	Disc insert detection	Eject completion	↓
1(2)	0,0,1,1	[0]	↓	↑	Reload start
2(2)	0,1,1,1	[0]			↓
2(2)	1,1,1,1	[0]			↓
3(1)	1,1,1,0	[0]	Load completion	Eject start	Load completion
3(1)	1,1,1,0	[1]			

*Transition in the center loading (Similar to 12cm in the side loading)
 Chart 1.2 8cm Disc switch status transition



4.6.4 DVD unit check mode

Change LCD indication with a [FF ►►] button and a [REW ◀◀] button.

Check item list

No.	A/D key	DVD unit operation	Example of LCD indication	Indication contents
1	[1]	Start at normal speed (After start, it is measured JITTER on the internal position)	NORMPLAY CUR * * * * JIT * * * *	Laser current value Jitter value
2	[2]	Tracking off on the outermost position of CD	EF-BAL OUTTROFF	For EF phase error
3	[3]	Tracking off on the innermost position of CD	EF-BAL INNTROFF	For EF phase error
4	[4]	CD_LD lights and laser current is displayed	CDLD ON CUR * * * * JIT * * * *	Laser current value Jitter value
5	[5]	DVD_LD lights and laser current is displayed	DVDLD ON CUR * * * * JIT * * * *	Laser current value Jitter value
6	[6]	DVD x1 jitter measuring mode (for use in mechanism measurement)	DVDx1JIT CUR * * * * JIT * * * *	Laser current value Jitter value
7	[DISP]	Indication of EEPROM contents	ROM DATA ADDR * * * * DATA * * * *	EEPROM address EEPROM contents
8	[SOURCE]	Initialization of EEPROM contents	ROMCLEAR	
9	[SEL]	Indication of temperature	TEMP TEMP * * * *	Temperature
10	[MODE]	Search & jitter measurement to an appointed position of DVD	DVD JIT PLC * * * * JIT * * * *	(Position measured with VT-501 jitter value)
11	[BAND]	Setting of MONITOR terminal	MONITOR M1 * * * * M2 * * * *	
12	[DISC UP ▲]	DVDx1 double speed start (After start, it is measured JITTER on the internal position)	PLAY CUR * * * * JIT * * * *	Laser current value Jitter value
13	[DISC DW ▼]	Disc stopped & LD-OFF	STOP	

Note :

- In the case of the jitter measurement: Begin a service mode after insert a disc.
- Press key [1] of No.1 before an item in which the No.2 or 3 key is pressed.
- Press key [1] of No.1 or key [12] of No.12 before an item in which the No.10 key is pressed and confirm the indication of jitter value on the LCD.
- No.6 starts only a DVD1 layer disc. Even other discs start DVD1 layer.
- When No.1 and No.12 are pushed after jitter indication, a focus jump is executed. (only DVD2 layer)
- Stop a disc before OPEN, CLOSE by all means.(OPEN and CLOSE are not executed in a disc turn.)
- The check mode can be exited either by pressing the [POWER] key or by resetting the unit.

SECTION 5 TROUBLESHOOTING

This service manual does not describe TROUBLESHOOTING.



JVC

Victor Company of Japan, Limited
Mobile Entertainment Business Group Mobile Entertainment Category 10-1,1chome,Ohwatari-machi,Maebashi-city,Gumma-ken, 371-8543,Japan

(No.MA250)

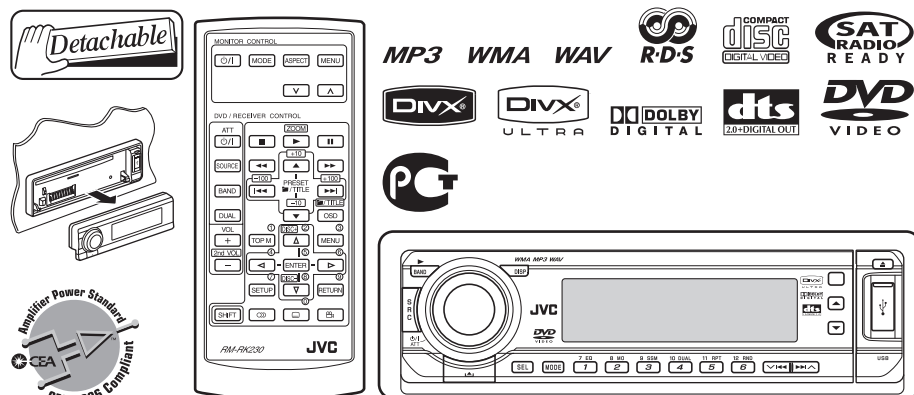
JVC

SCHEMATIC DIAGRAMS

DVD/CD RECEIVER

**KD-ADV6270J, KD-DV6200J, KD-DV6201E
KD-DV6201EU, KD-DV6202E, KD-DV6202EU
KD-DV7205U, KD-DV7205UN, KD-DV7205UT
KD-DV7205A, KD-DV7206U, KD-DV7206UN
KD-DV7206UT, KD-DV7206A, KD-DV6207EE**

CD-ROM No.SML200603



Lead free solder used in the board (material : Sn-Ag-Cu, melting point : 219 Centigrade)

Contents

Block diagram	2-1
Standard schematic diagrams	2-3
Printed circuit boards	2-17 to 20

Safety precaution



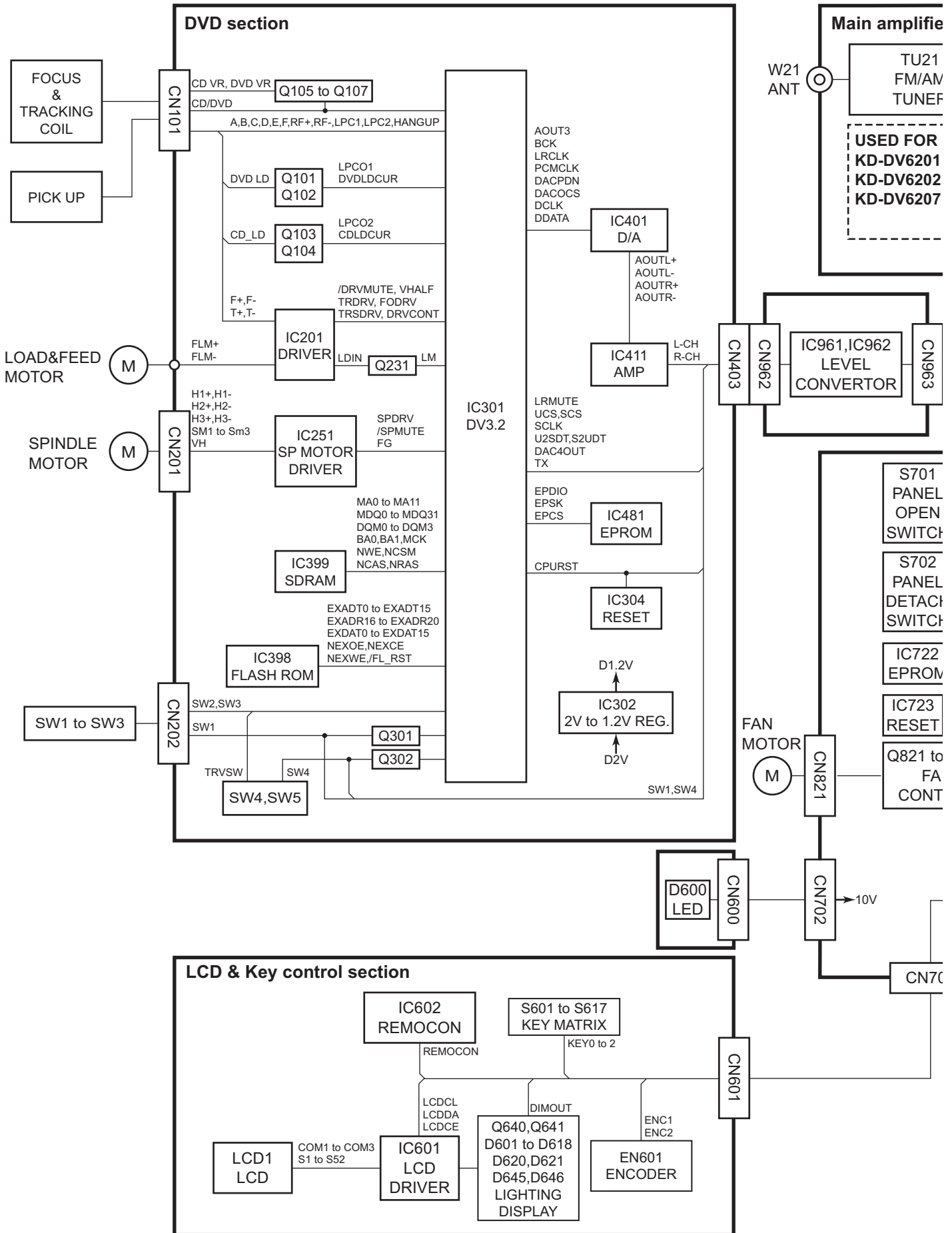
CAUTION Burrs formed during molding may be left over on some parts of the chassis. Therefore, pay attention to such burrs in the case of performing repair of this system.



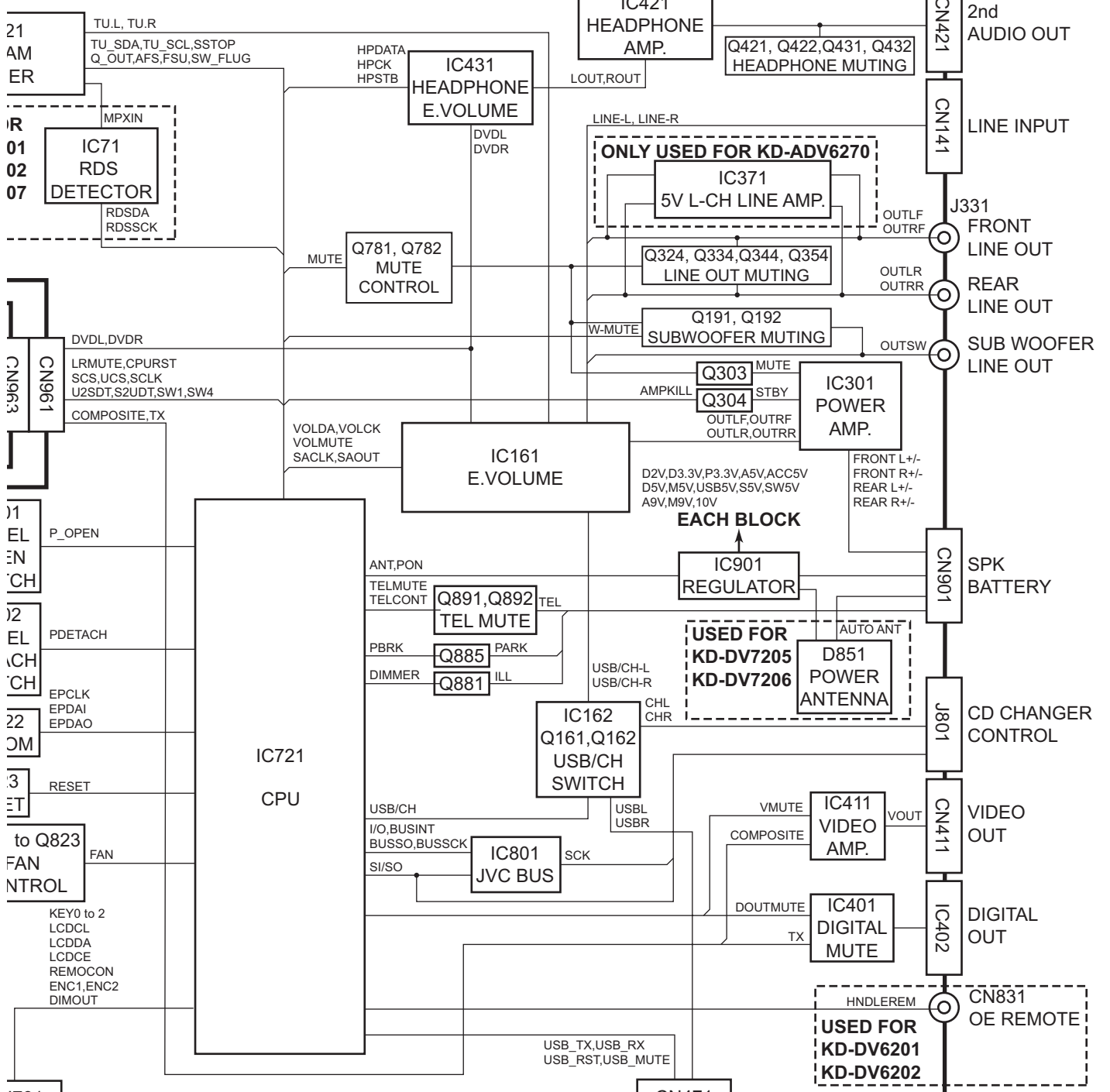
CAUTION Please use enough caution not to see the beam directly or touch it in case of an adjustment or operation check.

< MEMO >

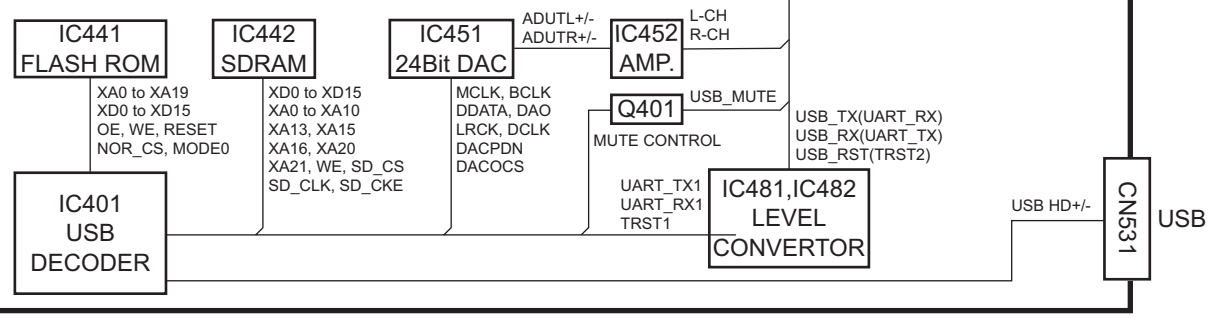
Block diagram



ifier section

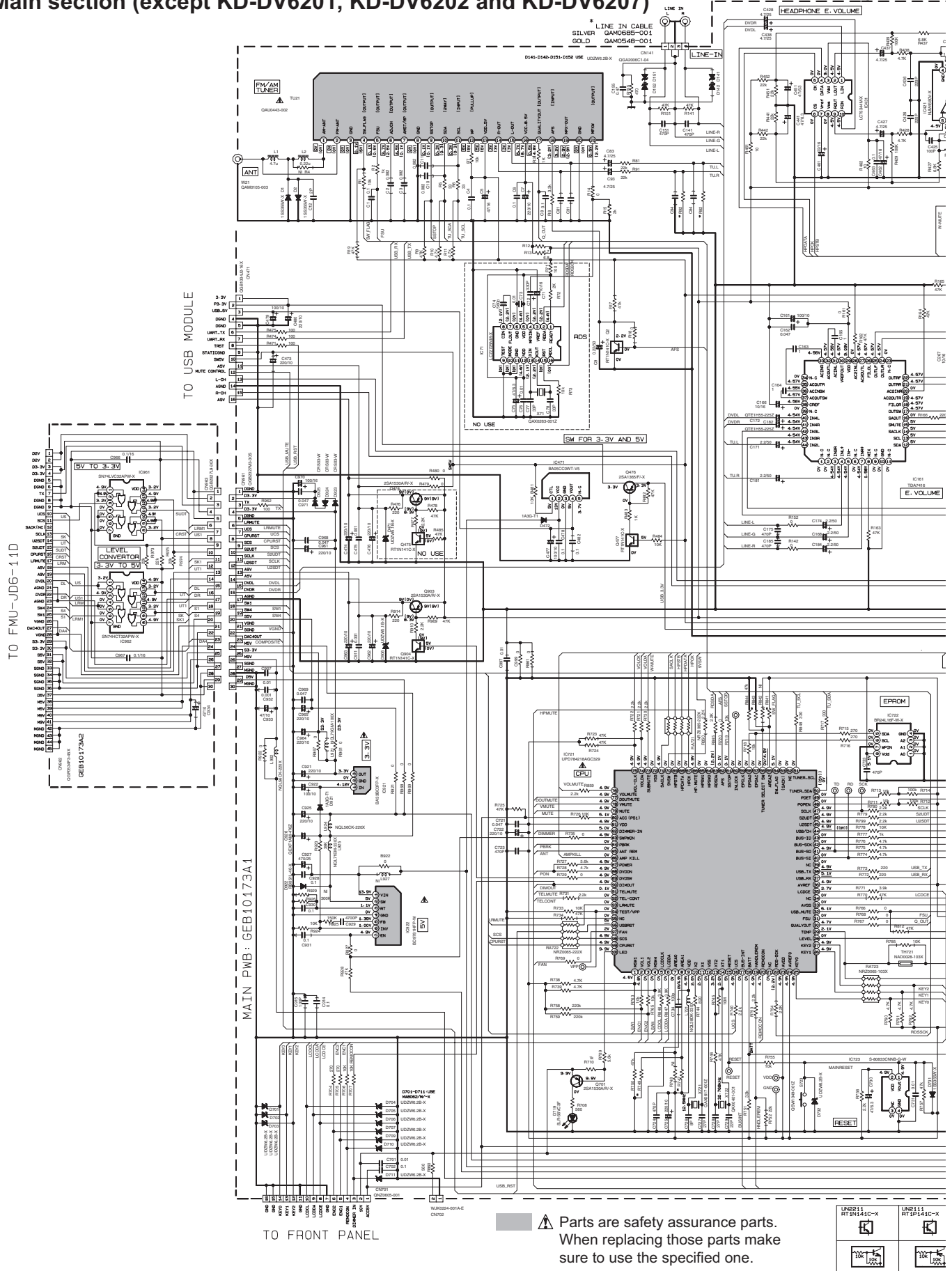


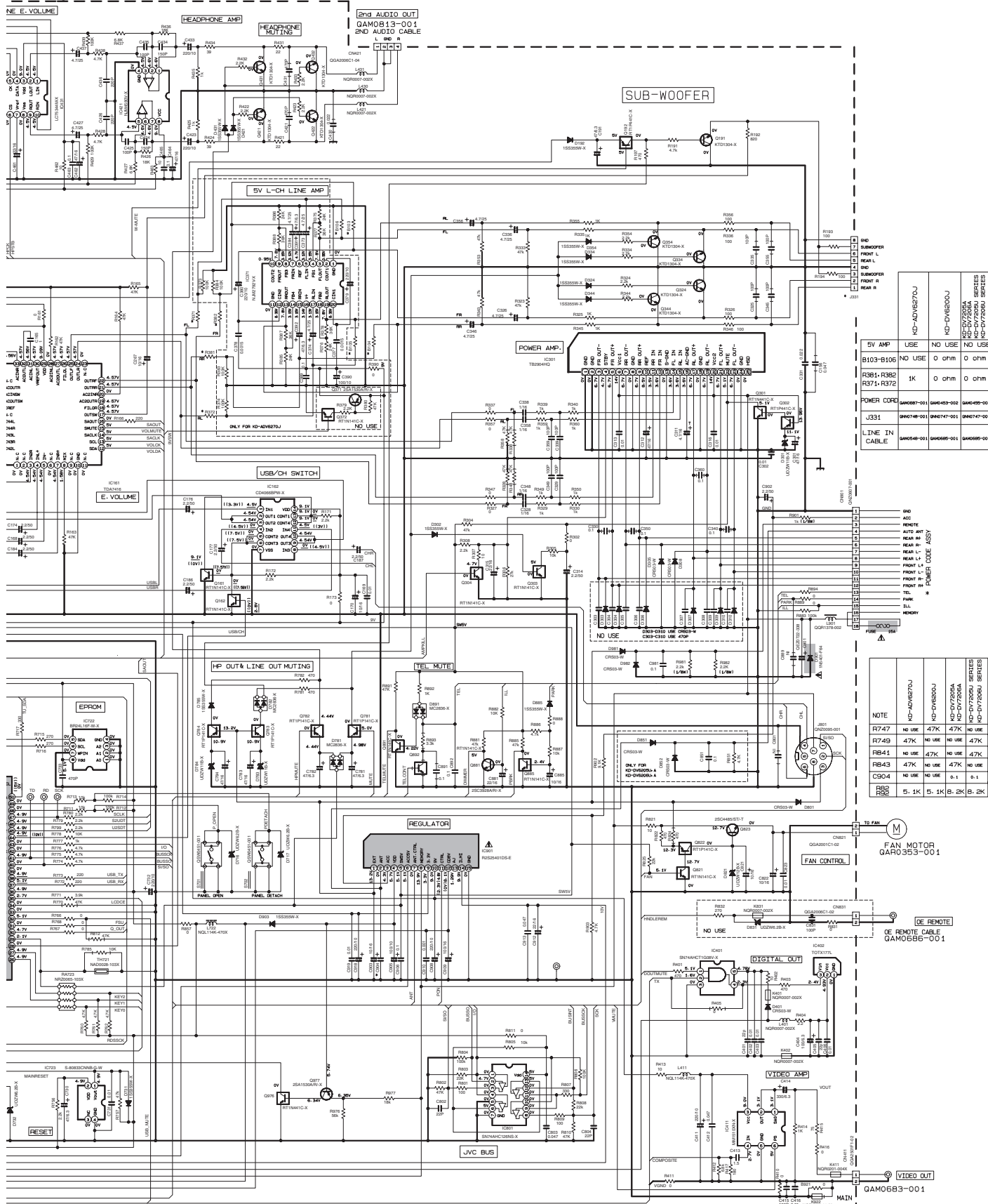
USB section



Standard schematic diagrams

■ Main section (except KD-DV6201, KD-DV6202 and KD-DV6207)

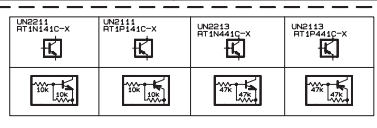




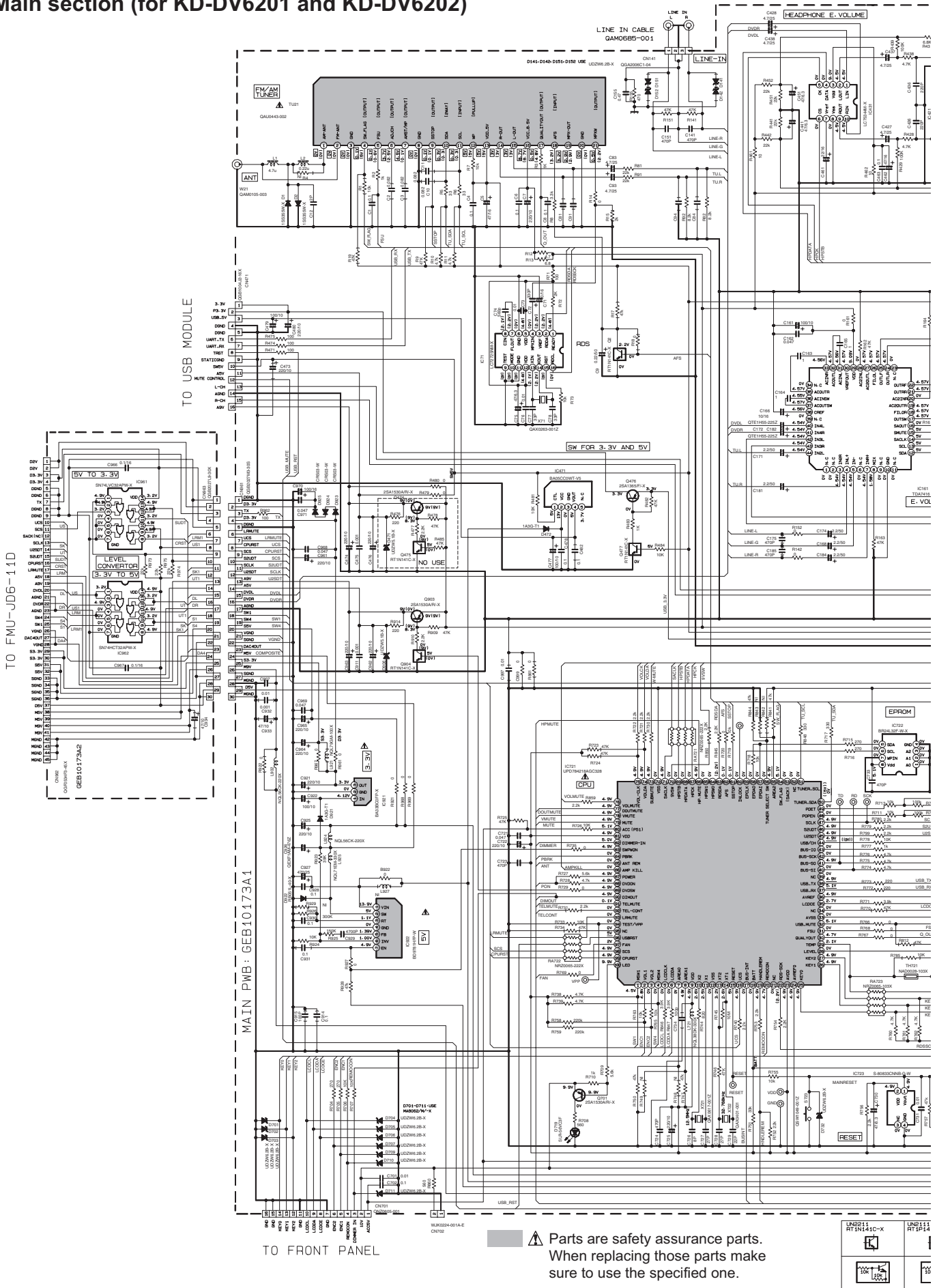
5V AMP	USE	NO USE	NO USE	NO USE
B103-B106	NO USE	0 ohm	0 ohm	0 ohm
R361-R362	NO USE	0 ohm	0 ohm	0 ohm
R371-R372	1K	0 ohm	0 ohm	0 ohm
POWER CORD	SAW087-01	SAW433-02	SAW435-02	NO USE
J331	SAW748-01	SAW747-01	SAW747-01	NO USE
LINE IN CABLE	SAW058-01	SAW055-01	SAW055-01	NO USE

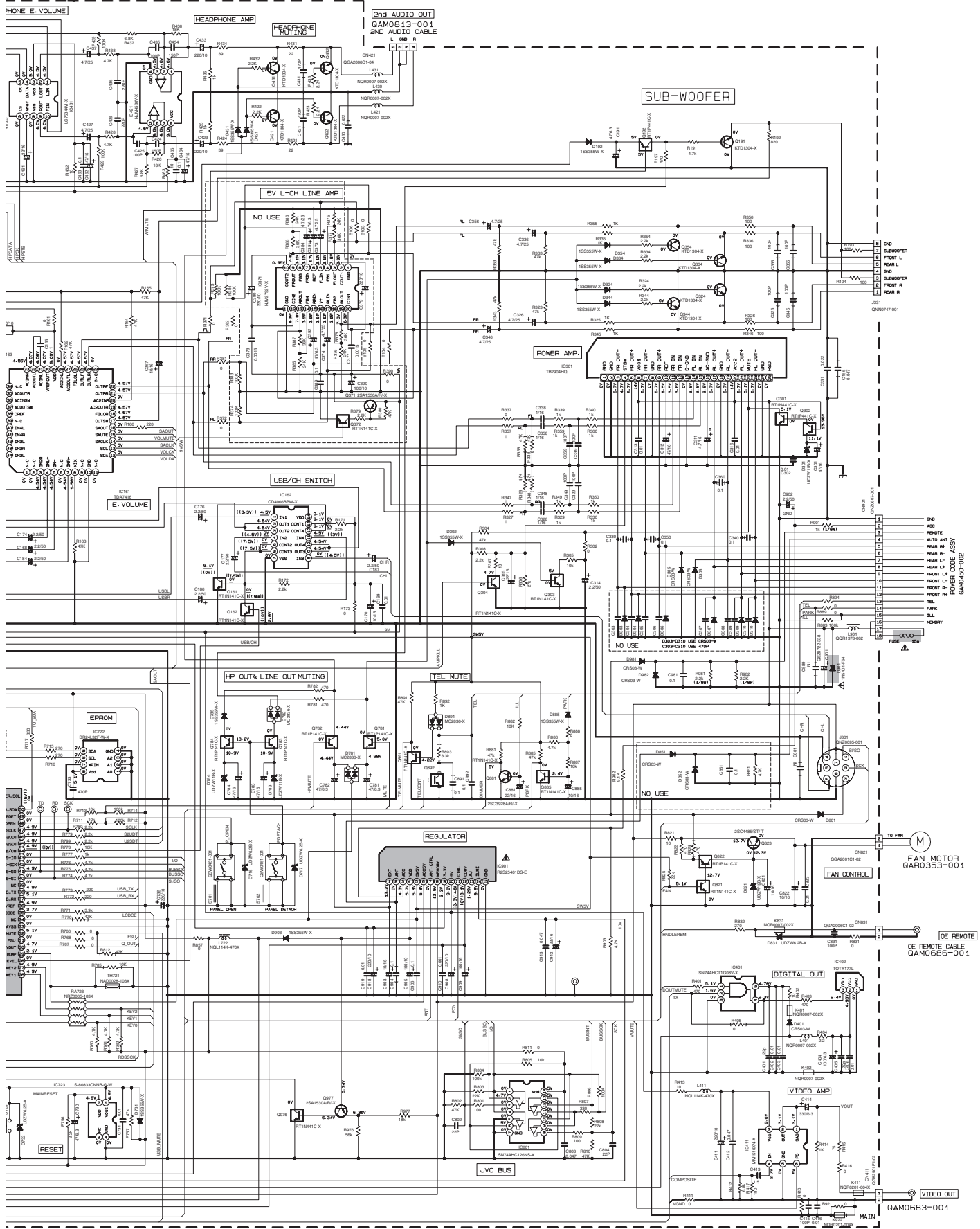
NOTE	NO USE	NO USE	NO USE	NO USE	NO USE
R747	NO USE	47K	47K	NO USE	47K
R749	47K	NO USE	47K	NO USE	47K
RB41	NO USE	47K	NO USE	47K	NO USE
RB43	47K	NO USE	47K	NO USE	47K
CG04	NO USE	NO USE	0.1	0.1	NO USE
RS2	5.1K	5.1K	B.2K	B.2K	NO USE

NOTES
 1. VOLTAGES ARE DC-MEASURED WITH A DIGITAL VOLT METER WITHOUT INPUT SIGNAL CONDITION — DVD MODE () FM MODE () AM MODE () CH MODE () USB MODE ()
 2. UNLESS OTHERWISE SPECIFIED, ALL RESISTORS ARE 1/10W 1% METAL GLAZE RESISTOR. ALL CAPACITORS ARE 50V OR 25V CERAMIC CAPACITOR. ALL RESISTANCE VALUES ARE IN OHM. ALL CAPACITANCE VALUES ARE IN UF (PpF). ALL E. CAPACITORS ARE SHOWN IN THE FORM OF CAPACITANCE (UF)/RATED VOLTAGE (V). F = FILM CAPACITOR.
 3. N: STANDS FOR NOT MOUNTED PARTS

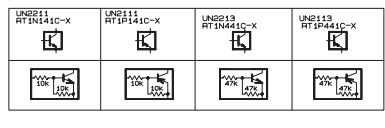


Main section (for KD-DV6201 and KD-DV6202)





- NOTES
1. VOLTAGES ARE DC-MEASURED WITH A DIGITAL VOLT METER WITHOUT INPUT SIGNAL. CONDITION — DND MODE: () FM MODE: () AM MODE: () CH MODE: () USB MODE: ()
 2. UNLESS OTHERWISE SPECIFIED, ALL RESISTORS ARE 1/4W 1% METAL GLAZE RESISTOR. ALL CAPACITORS ARE 50V OR 25V CERAMIC CAPACITOR. ALL CAPACITANCE VALUES ARE IN (PpF) ALL E-CAPACITORS ARE SHOWN IN THE FORM OF CAPACITANCE (uF)/RATED VOLTAGE (V) F — FILM CAPACITOR
 3. NI STANDS FOR NOT MOUNTED PARTS



Main section (for KD-DV6207)

TO FMU-JD6-11D

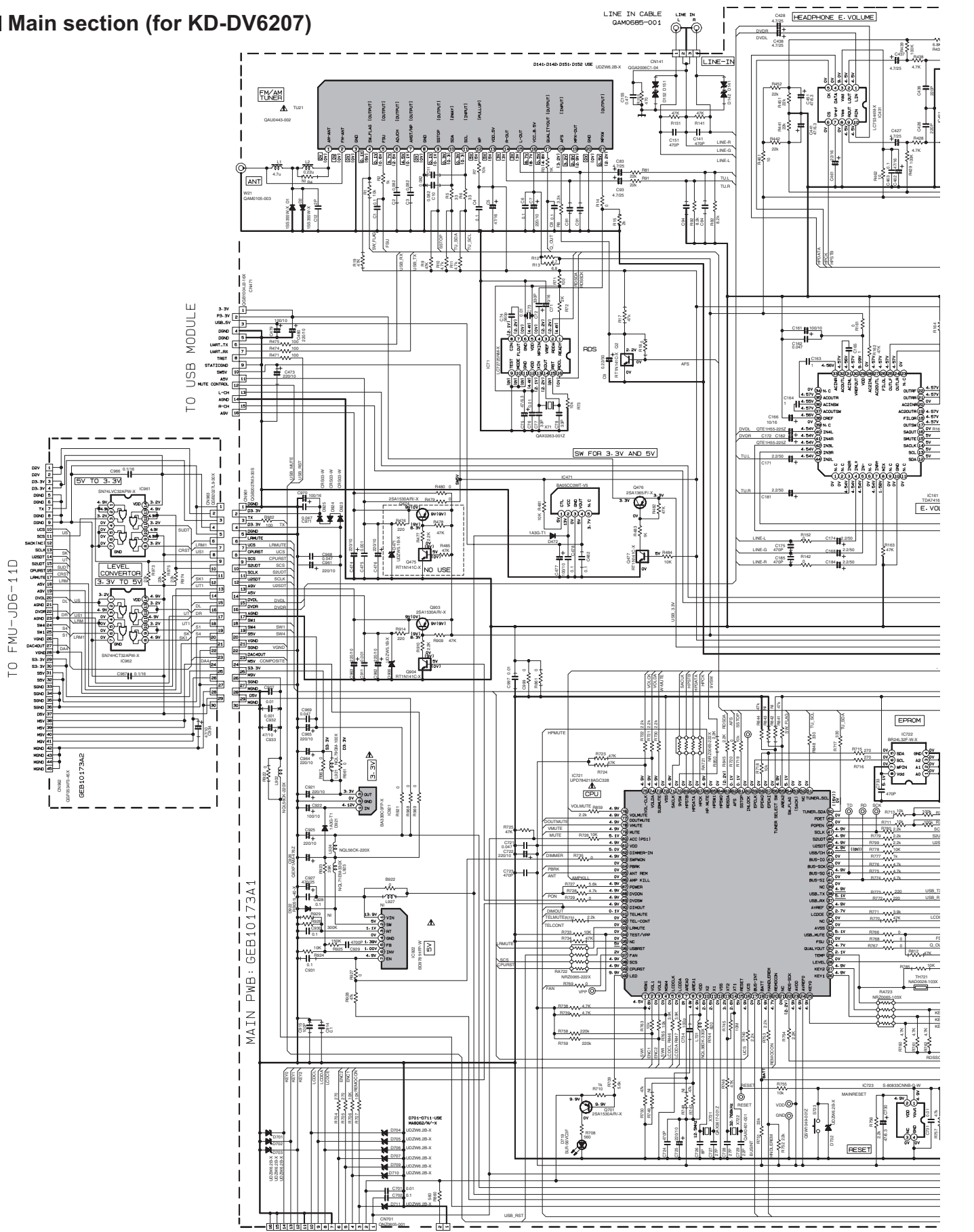
TO USB MODULE

MAIN PWB: GEB1073A1

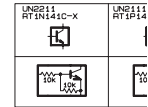
TO FRONT PANEL

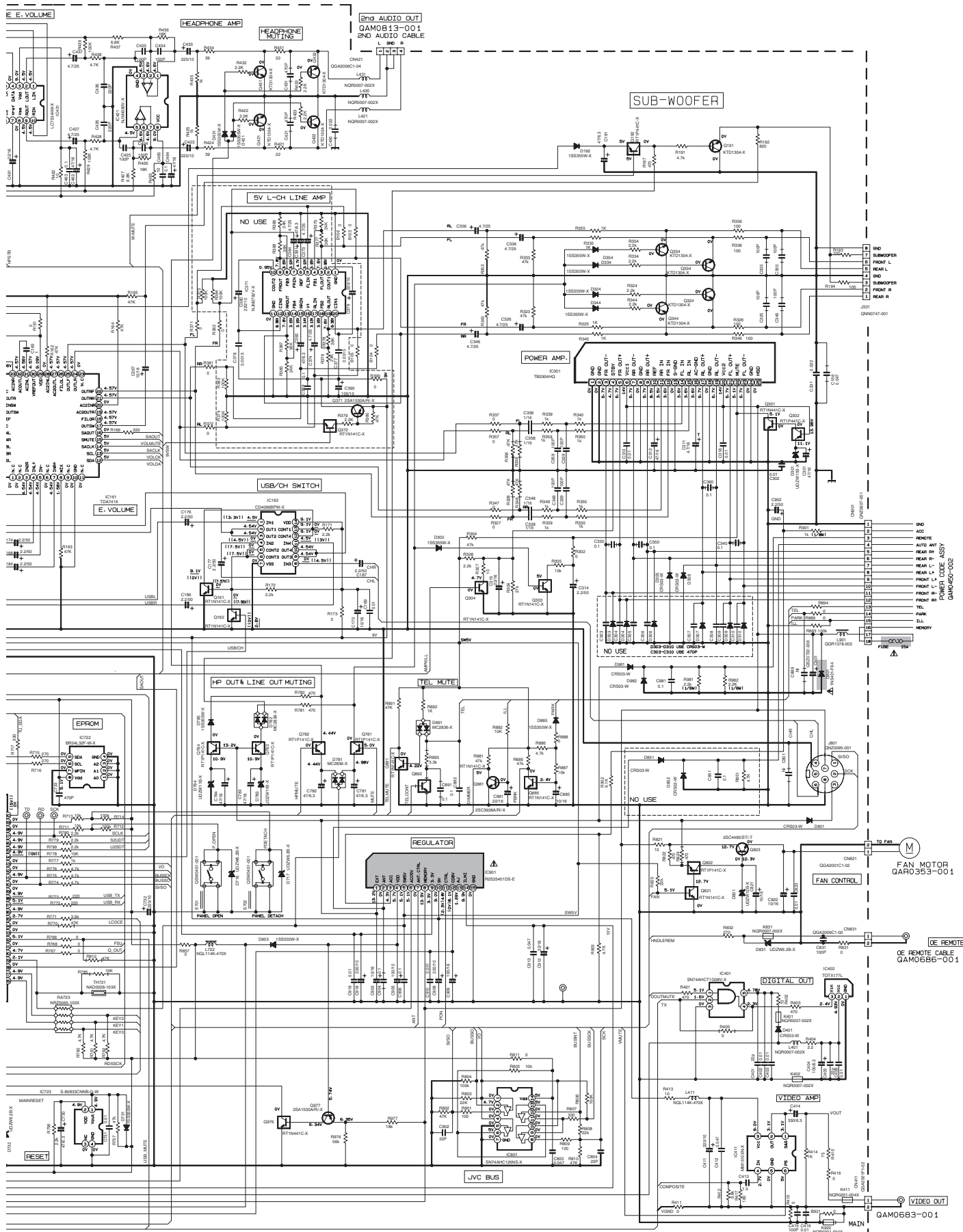
LINE IN CABLE
QAM0685-001

HEADPHONE E. VOLUME



⚠ Parts are safety assurance parts.
When replacing those parts make
sure to use the specified one.

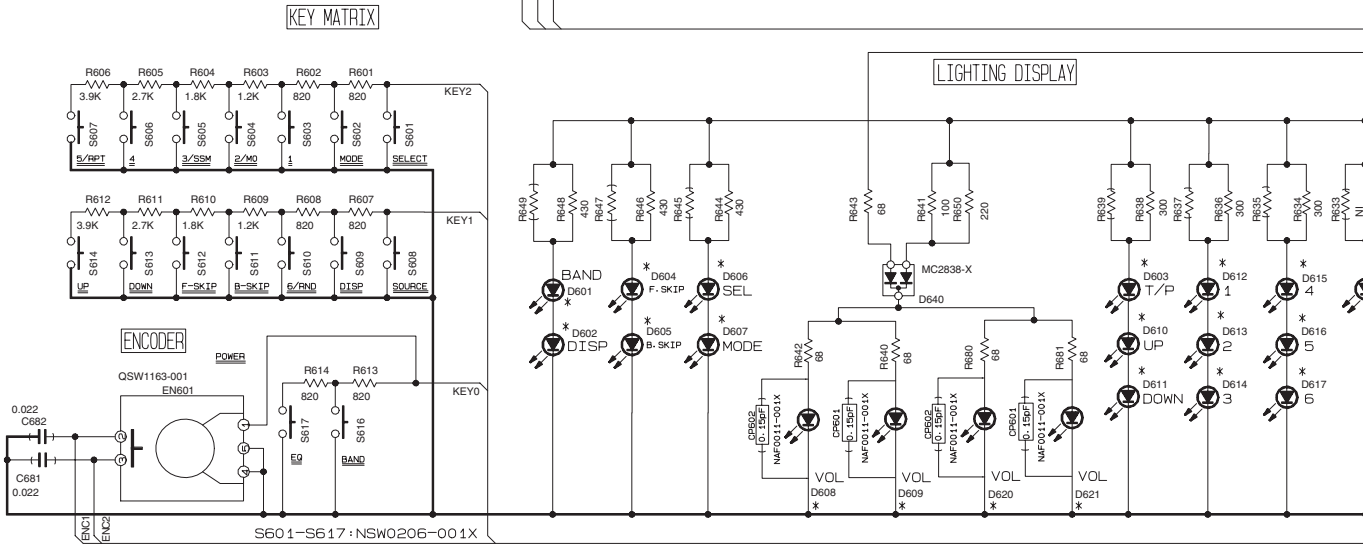
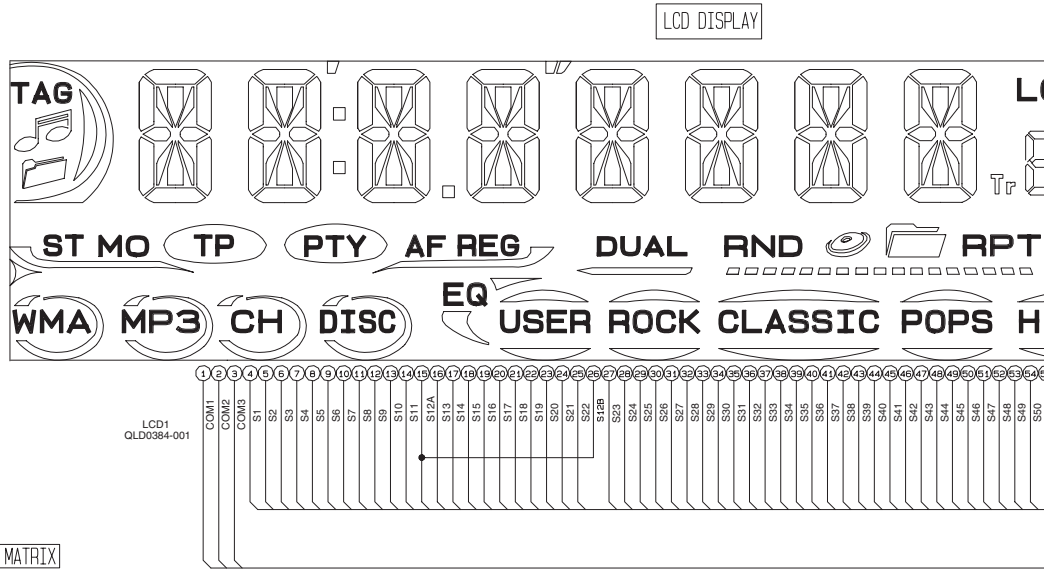




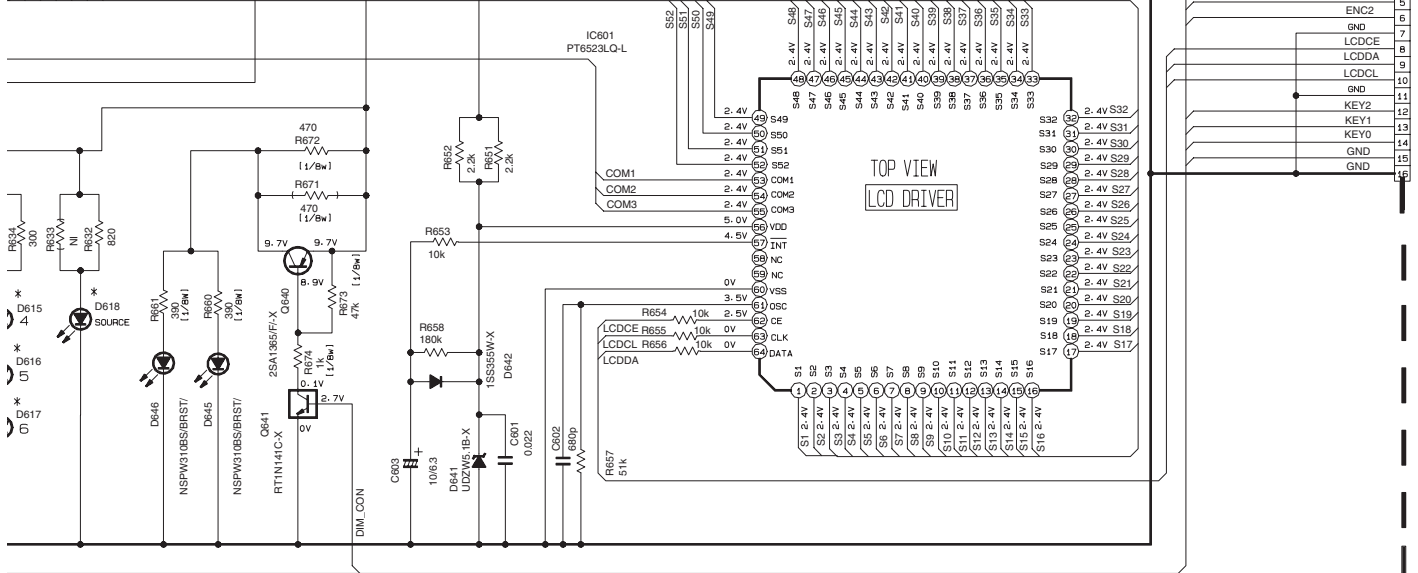
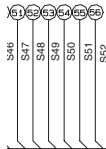
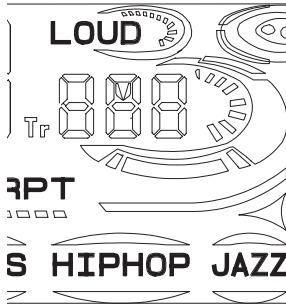
LN211 RT1N414C-X	LN211 RT1P414C-X	LN213 RT1N414C-X	LN213 RT1P414C-X

- NOTES
1. VOLTAGES ARE DC-MEASURED WITH A DIGITAL VOLT METER WITHOUT INPUT SIGNAL. CONDITION --- DVD MODE. () FM MODE. [] AM MODE. () CH MODE. --- USB MODE
 2. UNLESS OTHERWISE SPECIFIED, ALL RESISTORS ARE 1/10W 5% METAL GLAZE RESISTOR. ALL CAPACITORS ARE 50V OR 25V CERAMIC CAPACITOR. ALL RESISTANCE VALUES ARE IN OHM. ALL CAPACITANCE VALUES ARE IN nF (pF) UNLESS OTHERWISE SPECIFIED. ALL E. CAPACITORS ARE SHOWN IN THE FORM OF CAPACITANCE (uF)/RATED VOLTAGE (V). F = FILM CAPACITOR.
 3. NT STANDS FOR NOT MOUNTED PARTS

LCD & Key control section (except KD-DV6201 & KD-DV6202)



* REMARK	KD-ADV6271 KD-DV6200, KD-DV7; KD-DV71
D601 - D607 D610 - D617	LSG9
D608 D620 D609 D621 D618	SML3



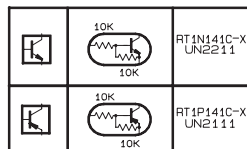
01691
01692
01693
01694
01695
01696
01697
01698
01699
01700
01701
01702
01703
01704
01705
01706
01707
01708
01709
01710
01711
01712
01713
01714
01715
01716
01717
01718
01719
01720
01721
01722
01723
01724
01725
01726
01727
01728
01729
01730
01731
01732
01733
01734
01735
01736
01737
01738
01739
01740
01741
01742
01743
01744
01745
01746
01747
01748
01749
01750
01751
01752
01753
01754
01755
01756
01757
01758
01759
01760
01761
01762
01763
01764
01765
01766
01767
01768
01769
01770
01771
01772
01773
01774
01775
01776
01777
01778
01779
01780
01781
01782
01783
01784
01785
01786
01787
01788
01789
01790
01791
01792
01793
01794
01795
01796
01797
01798
01799
01800

ACC5V
10V
DIMOUT
REMOCON
ENC1
ENC2
LCDDA
LCDDA
LCDDA
LCDDA
GND
KEY0
KEY1
KEY2
GND
GND

J-ADV6270J KD-DV7206A
D-DV6200J KD-DV7205A
KD-DV7205U SERIES
KD-DV7206U SERIES

LSQ971/KL/-X

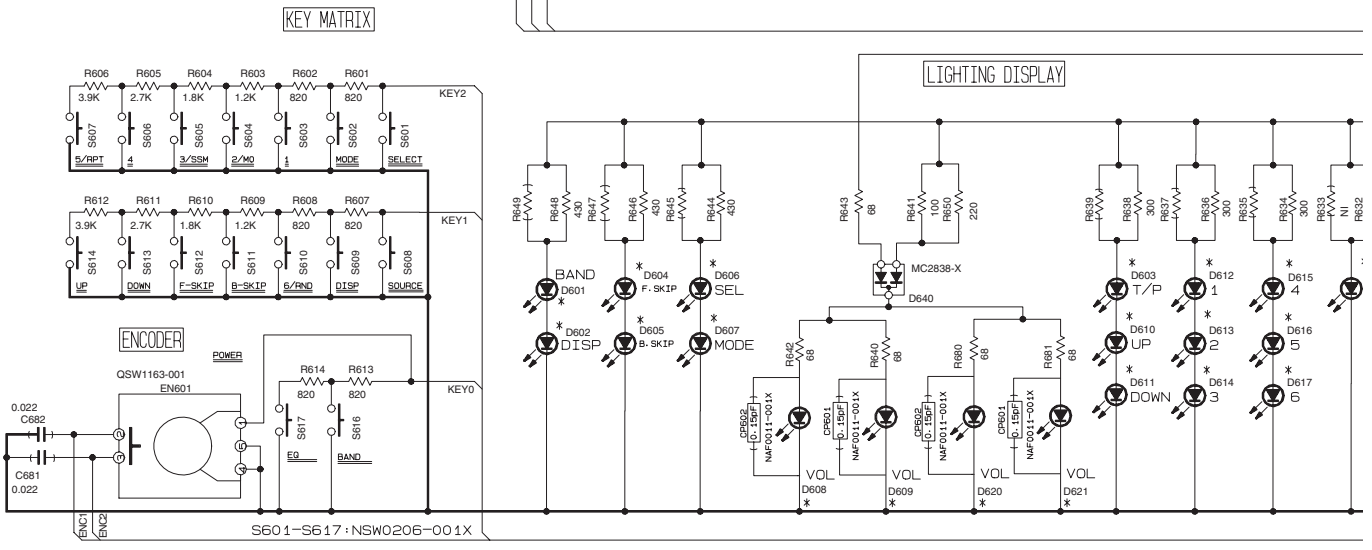
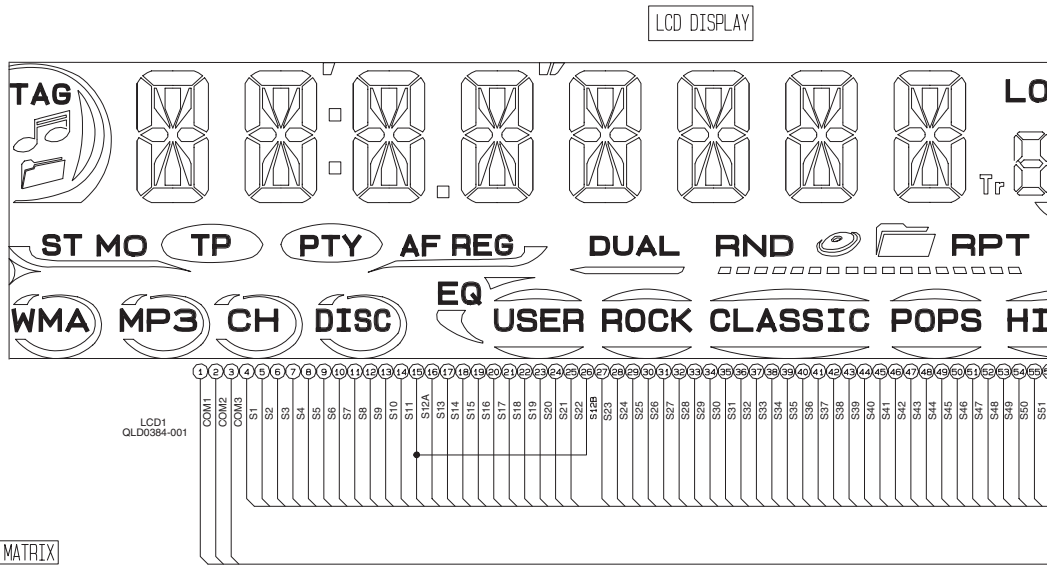
SML310BA1T/HJ-X



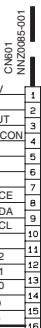
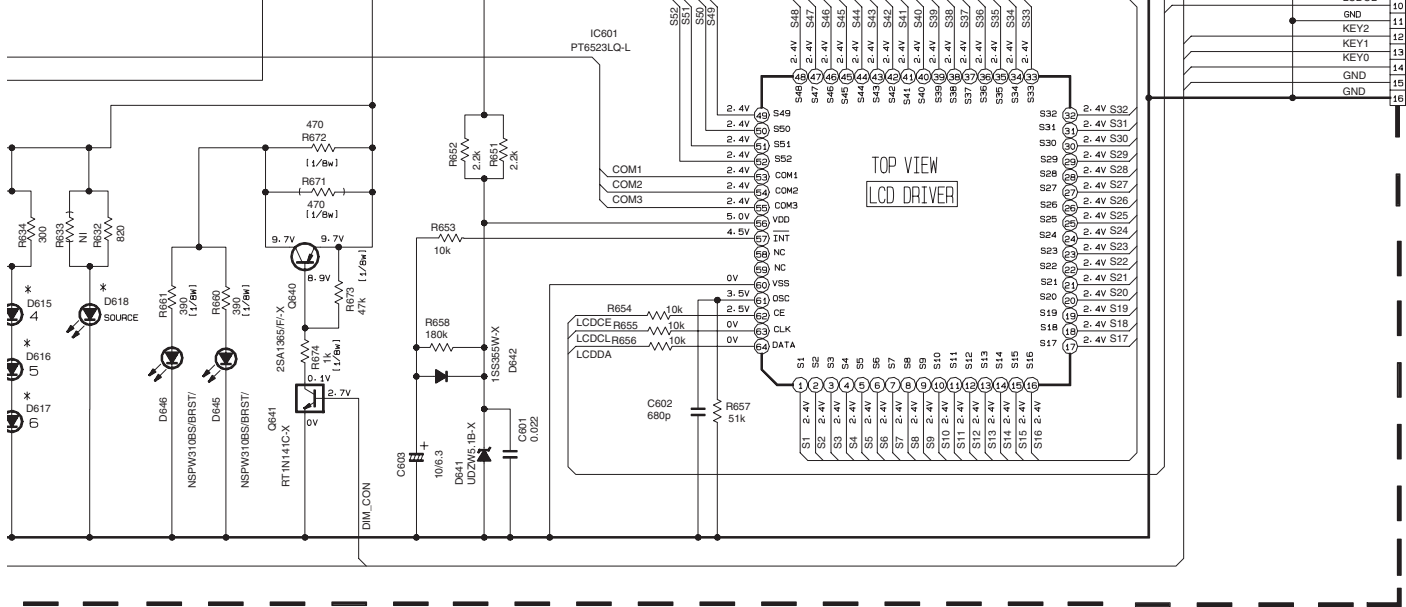
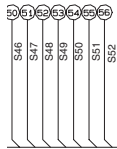
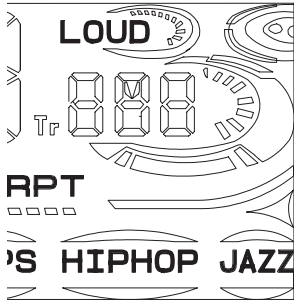
NOTES

- VOLTAGES ARE DC-MEASURED WITH A DIGITAL VOLT METER WITHOUT INPUT SIGNAL.
- UNLESS OTHERWISE SPECIFIED.
ALL RESISTORS ARE 1/16W METAL GLAZE RESISTORS.
ALL CAPACITORS ARE 50V OR 25V CERAMIC CAPACITOR.
ALL RESISTANCE VALUES ARE IN OHM.
ALL CAPACITANCE VALUES ARE IN uF (P=pF)
ALL E. CAPACITORS ARE SHOWN IN THE FORM OF CAPACITANCE(uF)/RATED VOLTAGE(V)
T --- TANTALUM CAPACITOR.
- COMPONENTS IN () INDICATE NOT USE.

LCD & Key control section (for KD-DV6201 & KD-DV6202)



* REMARK	KD-DV6 KD-DV6
D601 - D607 D610 - D617	LSQ
D608 D620 D609 D621 D618	SML



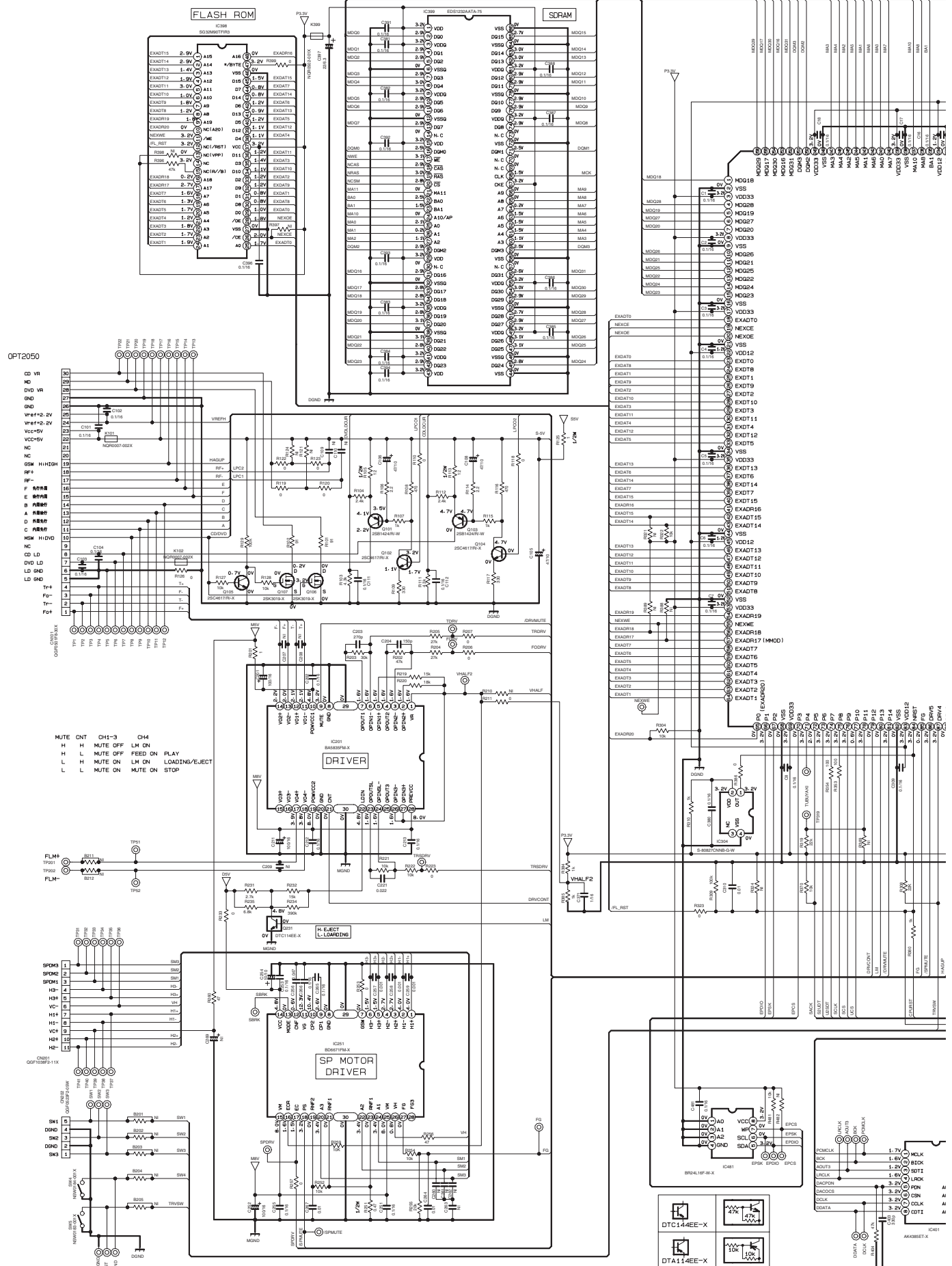
KD-DV6201E SERIES KD-DV6202E SERIES
LSQ971/KL/-X
SML310BA1T/HJ/-X

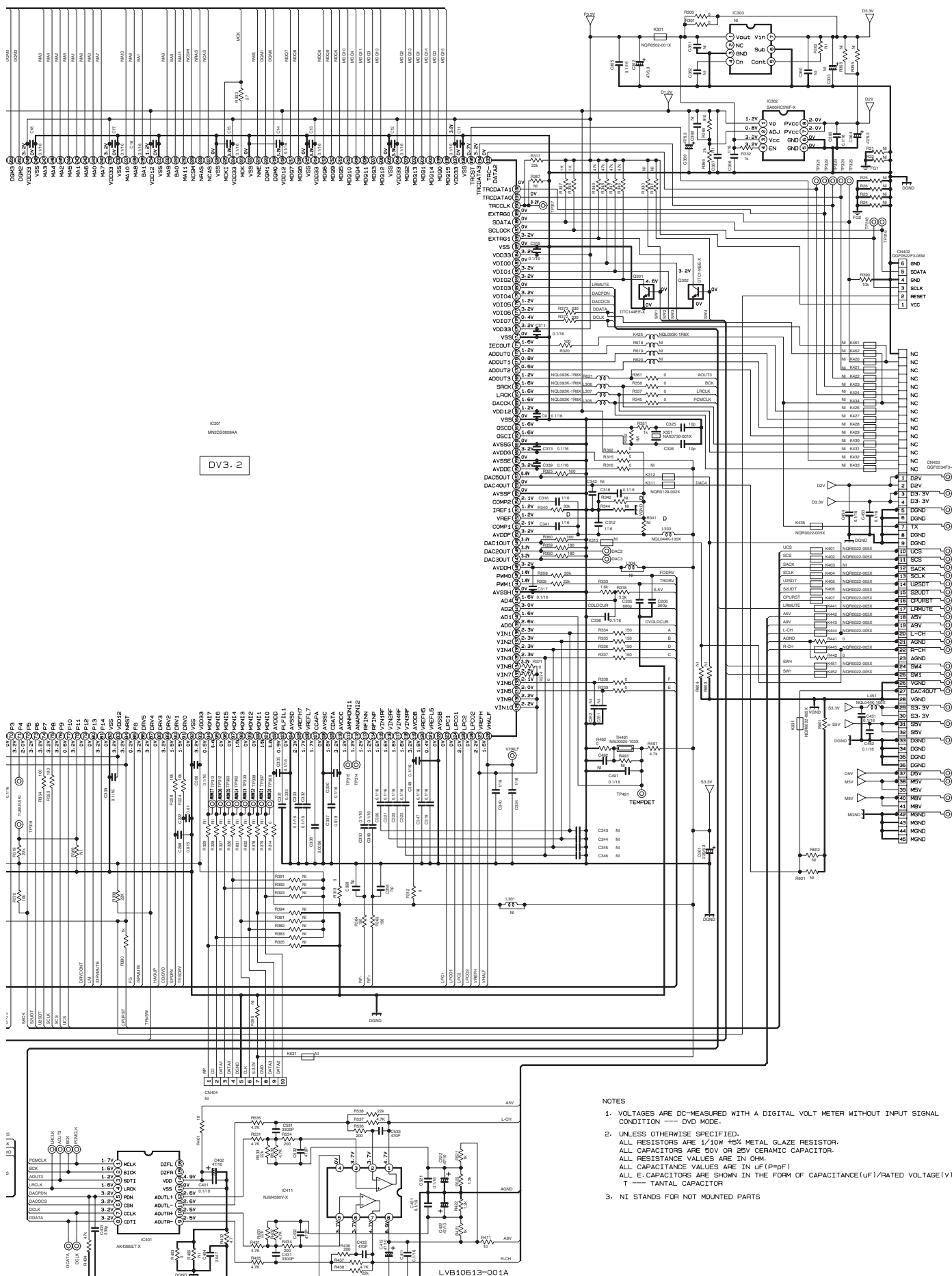
	10K	RT1N141C-X UN2211
	10K	RT1P141C-X UN2111

NOTES

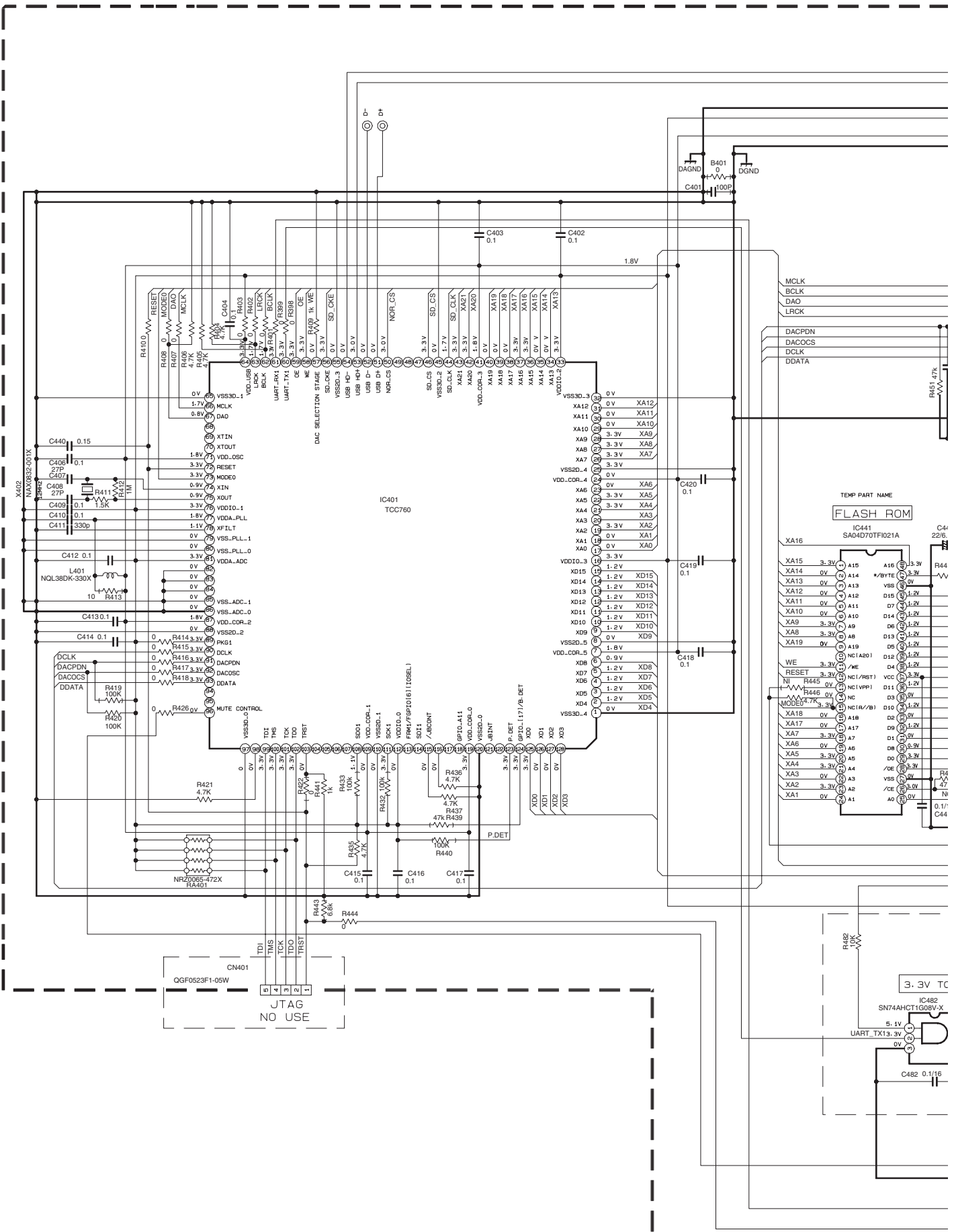
- VOLTAGES ARE DC-MEASURED WITH A DIGITAL VOLT METER WITHOUT INPUT SIGNAL.
- UNLESS OTHERWISE SPECIFIED.
ALL RESISTORS ARE 1/16W METAL GLAZE RESISTORS.
ALL CAPACITORS ARE 50V OR 25V CERAMIC CAPACITOR.
ALL RESISTANCE VALUES ARE IN OHM.
ALL CAPACITANCE VALUES ARE IN uF (P=pF)
ALL E. CAPACITORS ARE SHOWN IN THE FORM OF CAPACITANCE(uF)/RATED VOLTAGE(V)
T --- TANTALUM CAPACITOR.
- COMPONENTS IN () INDICATE NOT USE.

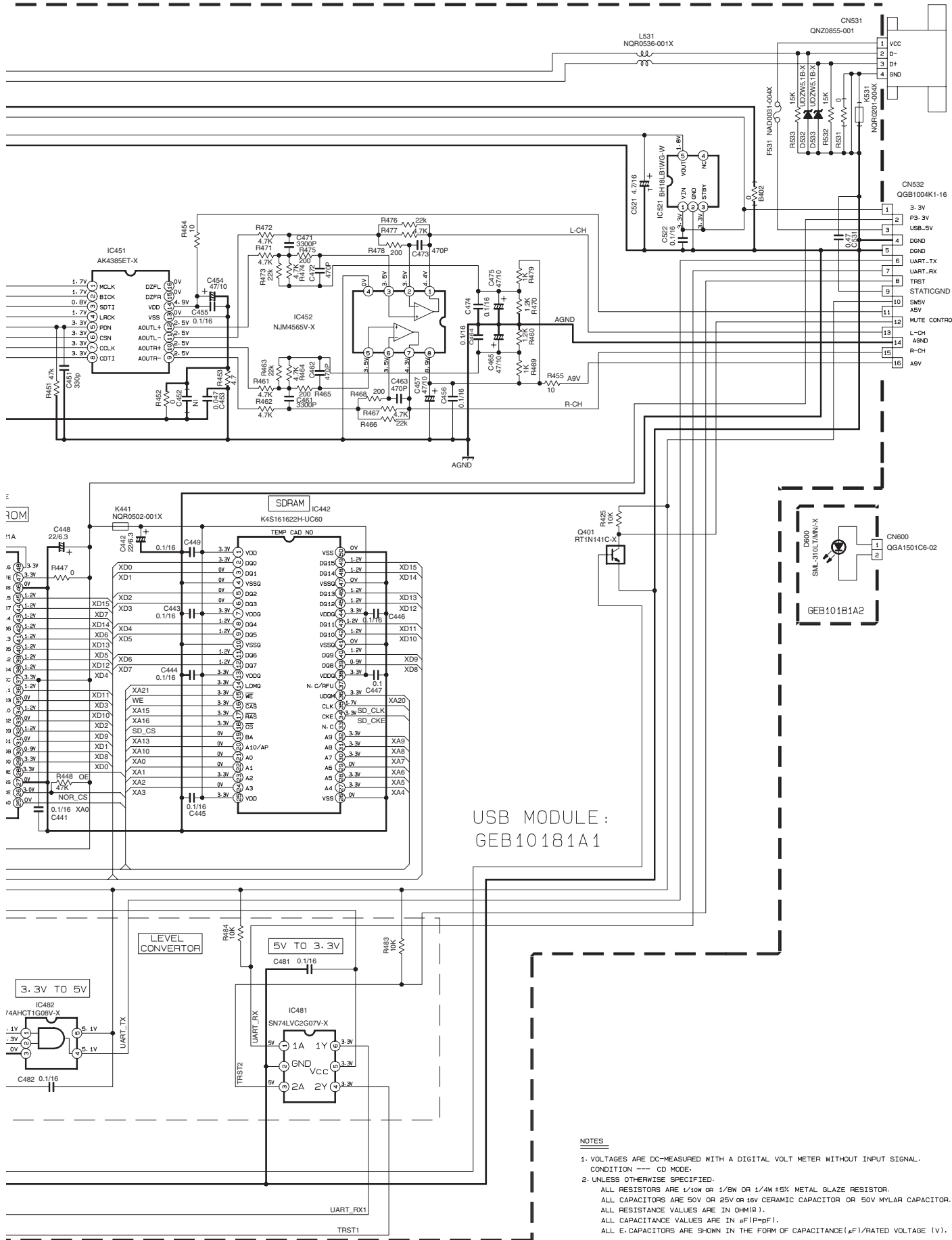
DVD control section (common)





USB module section (common)



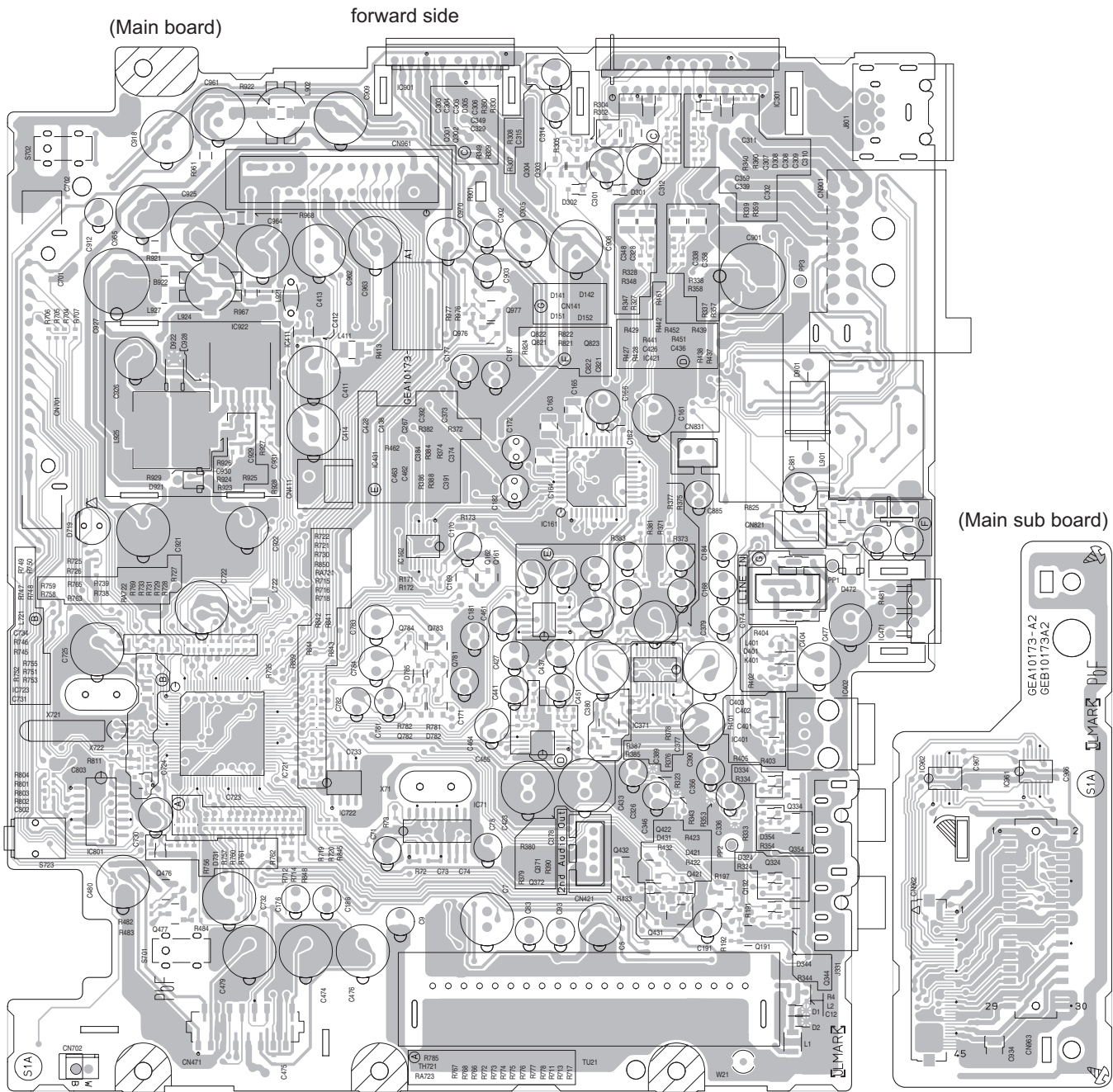


USB MODULE :
GEB10181A1

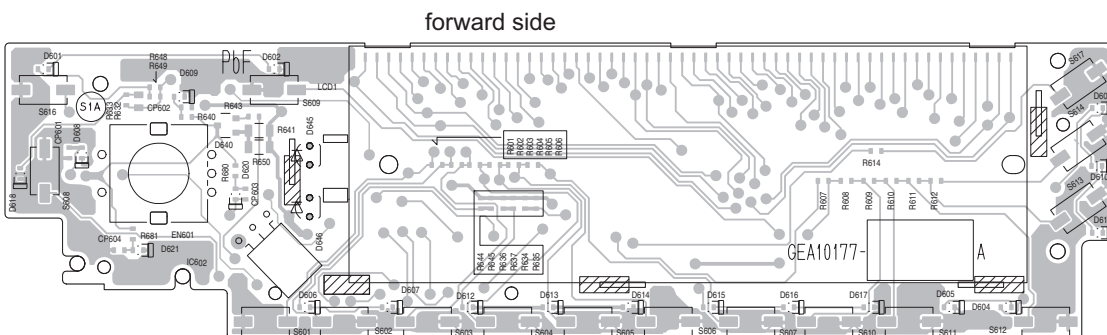
- NOTES**
1. VOLTAGES ARE DC-MEASURED WITH A DIGITAL VOLT METER WITHOUT INPUT SIGNAL. CONDITION --- CD MODE.
 2. UNLESS OTHERWISE SPECIFIED:
ALL RESISTORS ARE 1/10W OR 1/8W OR 1/4W ±5% METAL GLAZE RESISTOR.
ALL CAPACITORS ARE 50V OR 25V OR 16V CERAMIC CAPACITOR OR 50V MYLAR CAPACITOR.
ALL RESISTANCE VALUES ARE IN Ω(MΩ).
ALL CAPACITANCE VALUES ARE IN μF(P=pF).
ALL E-CAPACITORS ARE SHOWN IN THE FORM OF CAPACITANCE(μF)/RATED VOLTAGE (V).

Printed circuit boards

■ **Main board** Lead free solder used in the board (material : Sn-Ag-Cu, melting point : 219 Centigrade)



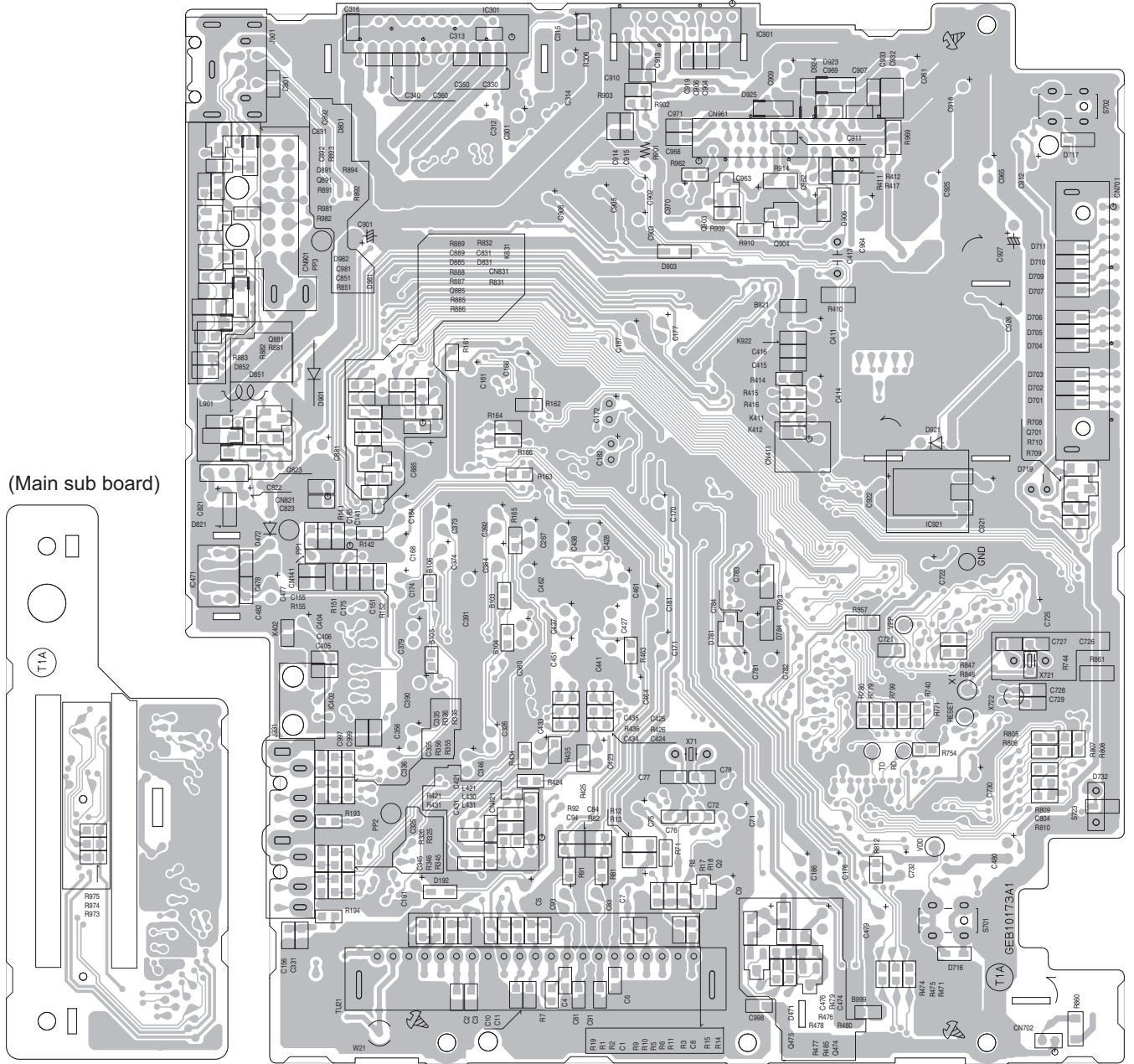
■ **Switch board** Lead free solder used in the board (material : Sn-Ag-Cu, melting point : 219 Centigrade)



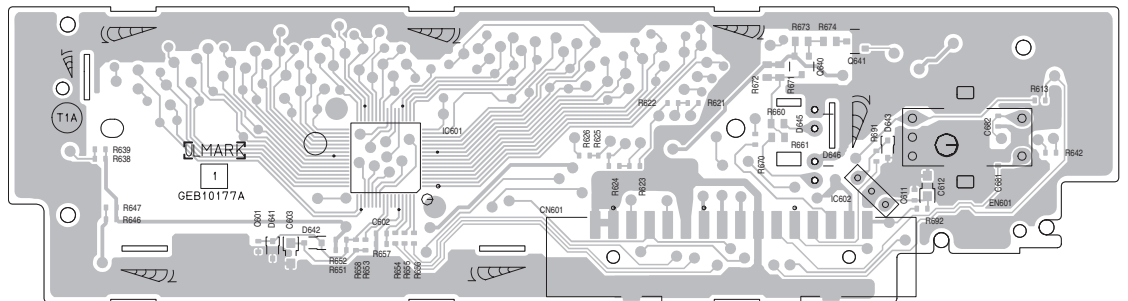
(Main board)

reverse side

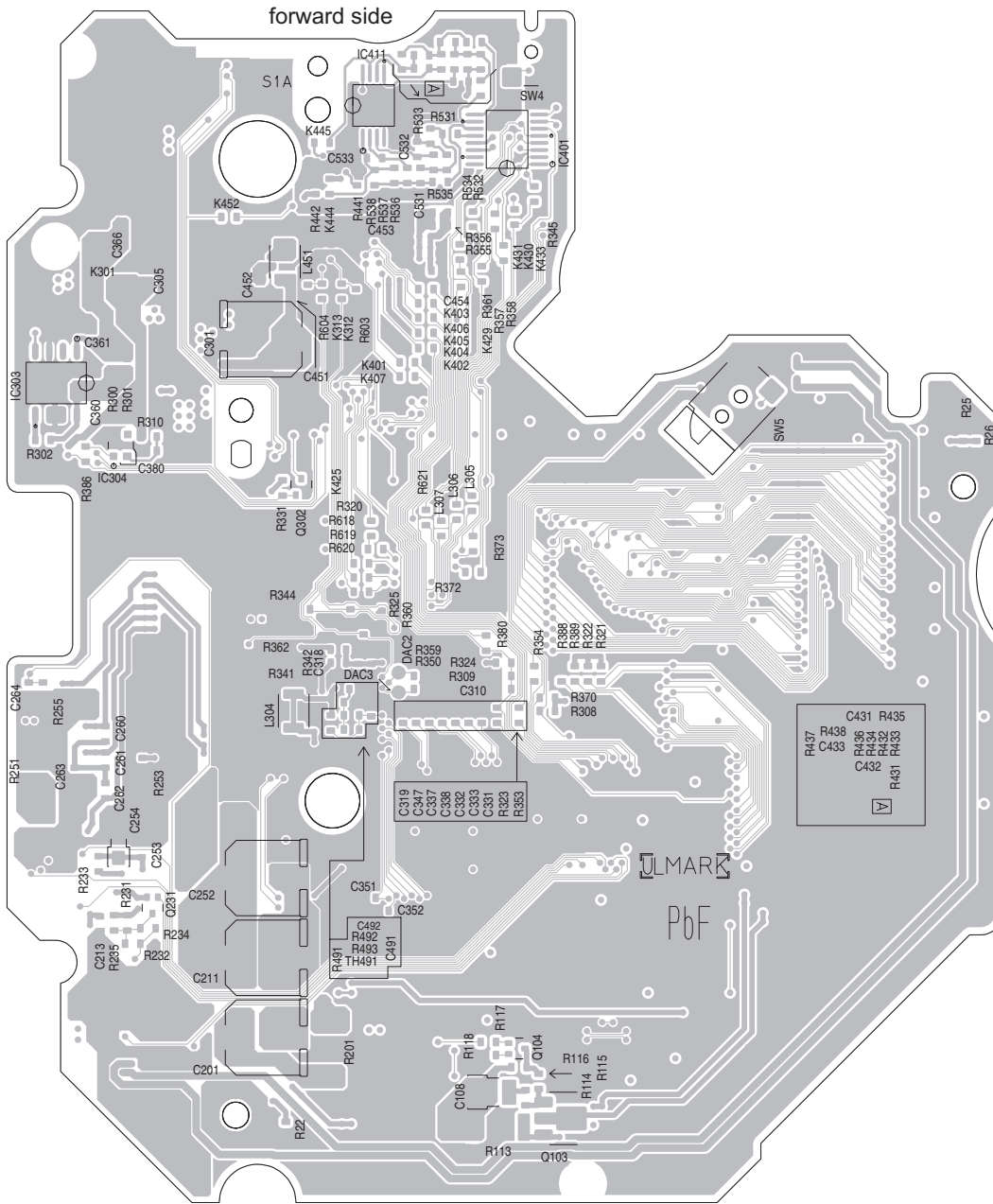
(Main sub board)



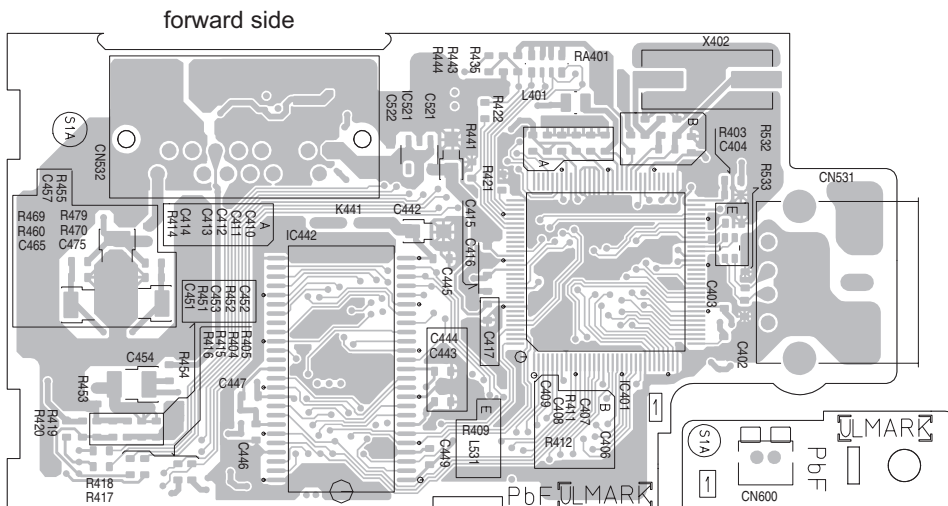
reverse side



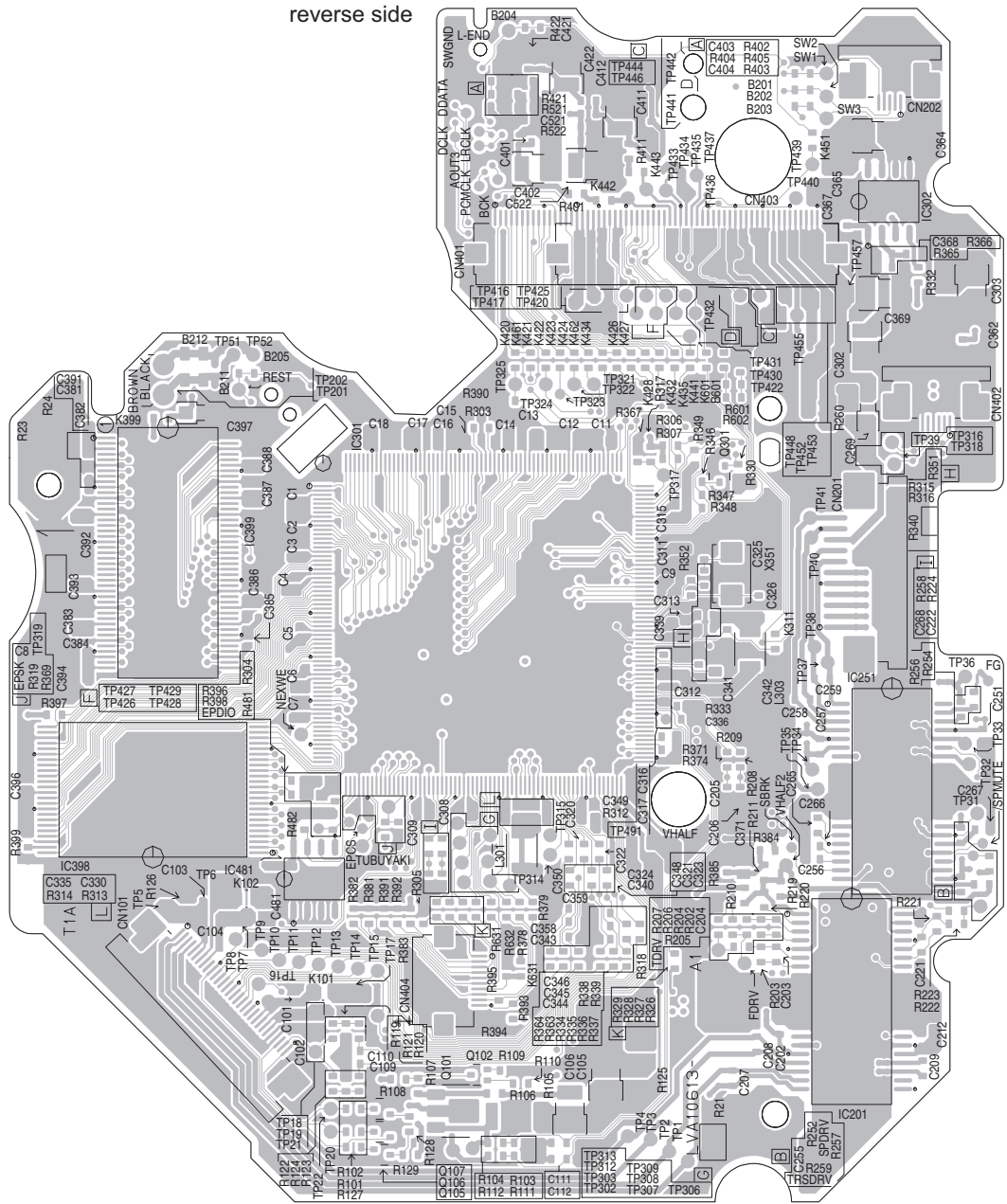
■ **DVD module board** Lead free solder used in the board (material : Sn-Ag-Cu, melting point : 219 Centigrade)



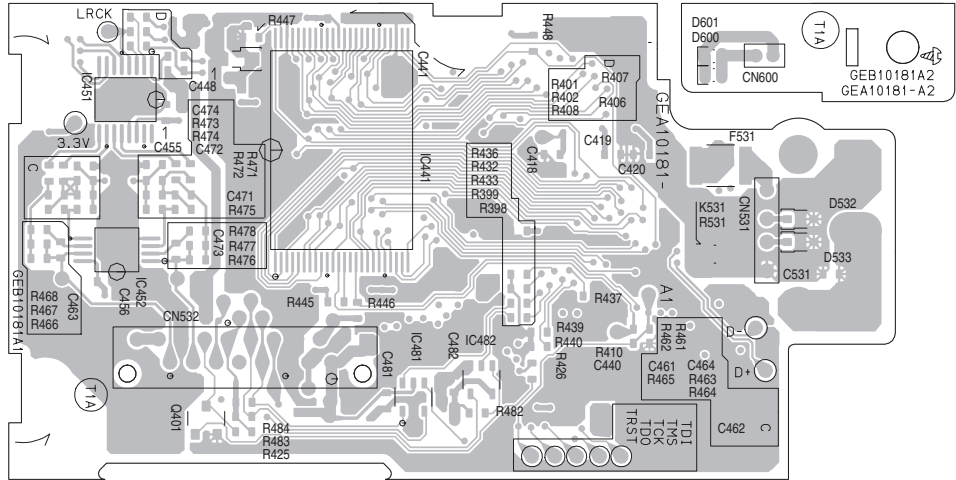
■ **USB module board** Lead free solder used in the board (material : Sn-Ag-Cu, melting point : 219 Centigrade)



reverse side



reverse side



JVC

Victor Company of Japan, Limited

Mobile Entertainment Business Group Mobile Entertainment Category 10-1, 1chome, Ohwatari-machi, Maebashi-city, Gumma-ken, 371-8543, Japan

(No.MA250SCH)



Printed in Japan
VPT

PARTS LIST

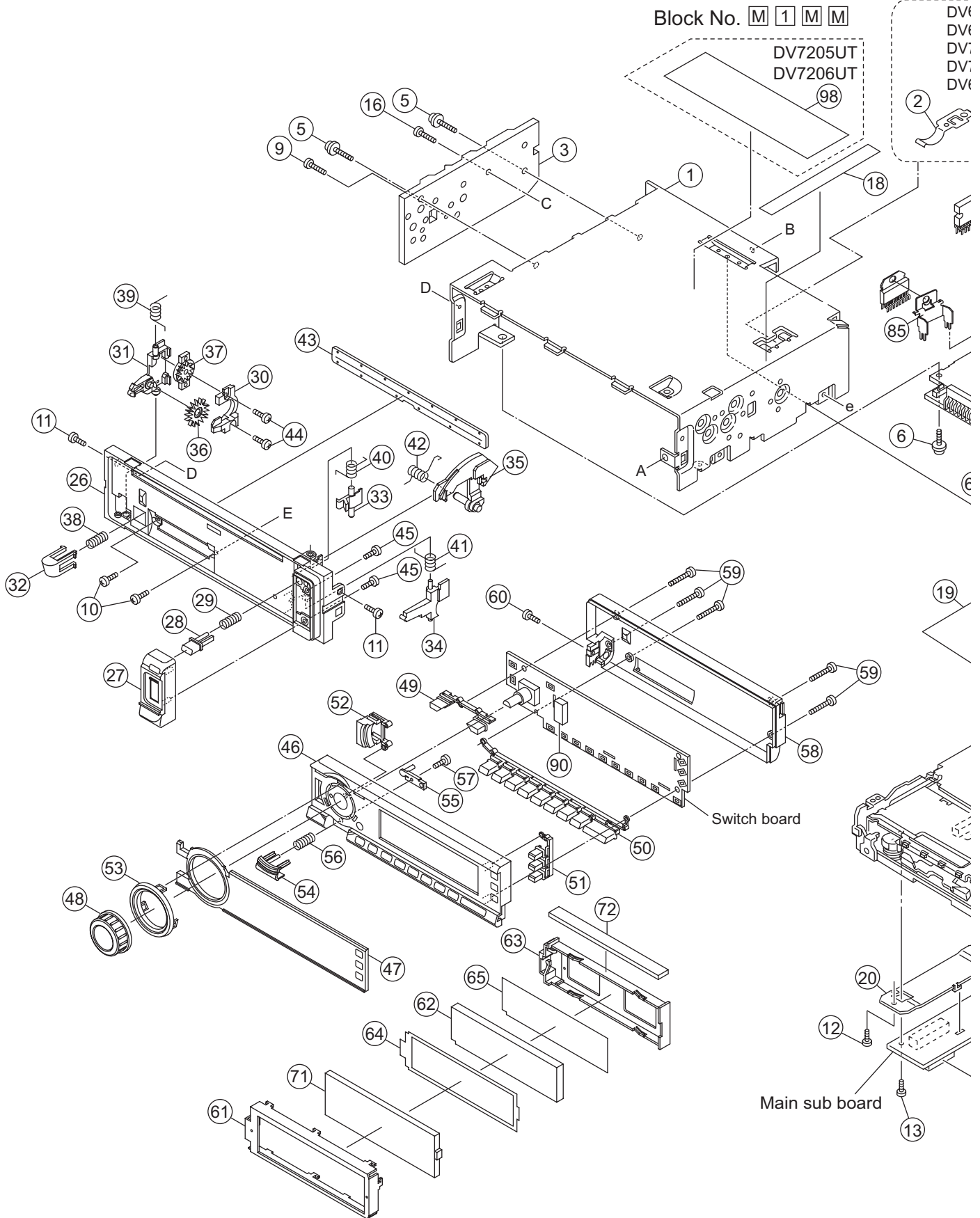
KD-ADV6270J,KD-DV6200J
KD-DV6201E,KD-DV6201EU,KD-DV6202E,KD-DV6202EU
KD-DV7205U,KD-DV7205UN,KD-DV7205UT
KD-DV7205A,KD-DV7206U,KD-DV7206UN
KD-DV7206UT,KD-DV7206A,KD-DV6207EE

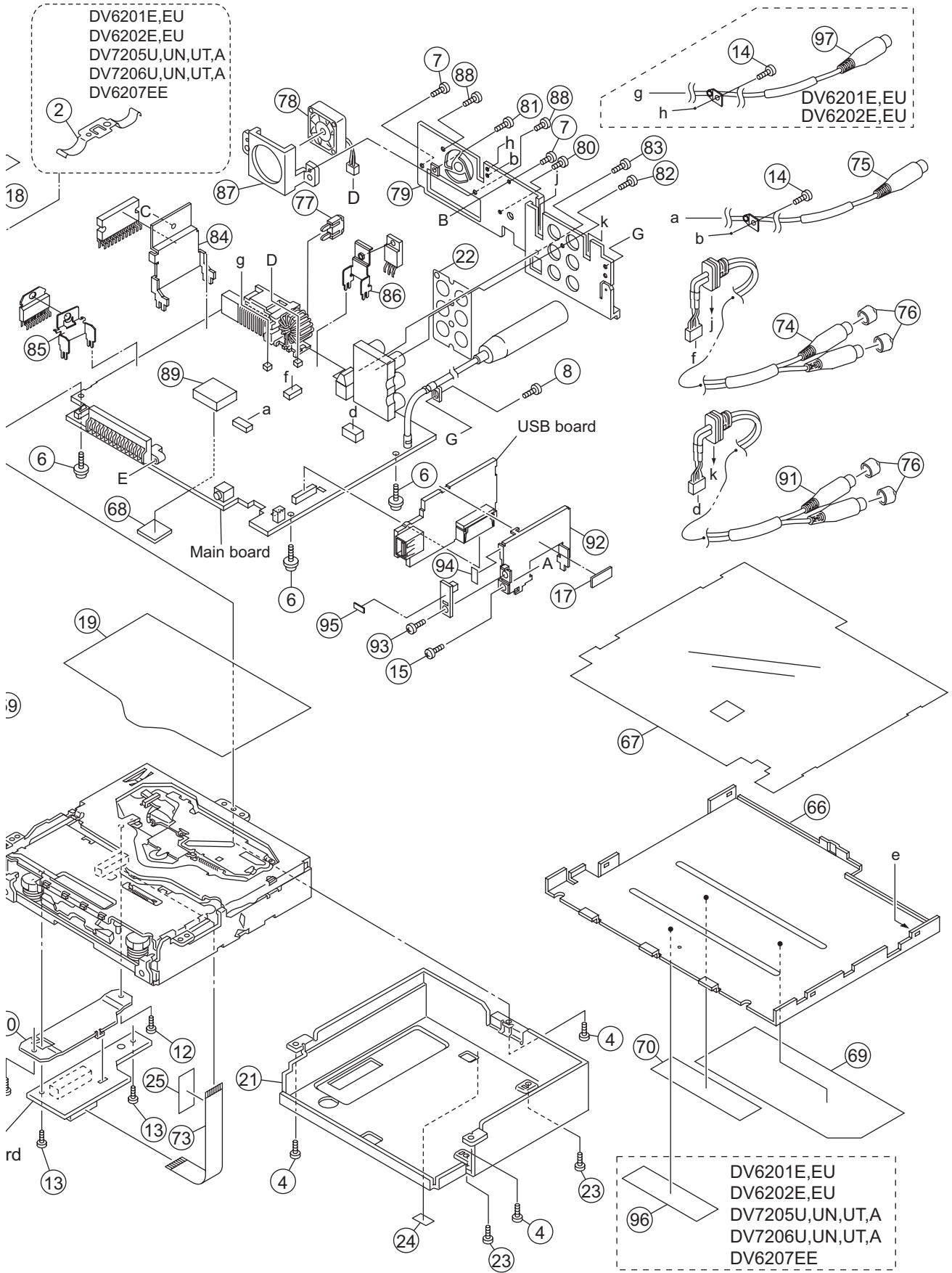
* All printed circuit boards and its assemblies are not available as service parts.

- Contents -

Exploded view of general assembly and parts list (Block No.M1)	3- 2
DVD mechanism assembly and parts list (Block No.MJ)	3- 7
Electrical parts list (Block No.01~10)	3-10
Packing materials and accessories parts list (Block No.M3).....	3-30

Exploded view of general assembly and parts list





General Assembly

Block No. [M][1][M][M]

Symbol No.	Part No.	Part Name	Description	Local
1	GE10154-002A	TOP CHASSIS		DV6201E,DV6201EU,DV6202E,DV6202EU
2	GE40135-001A	EARTH PLATE		,DV7205U,DV7205UN,DV7205UT, DV7205A,DV7206U,DV7206UN,DV7206UT ,DV7206A,DV6207EE
3	GE32126-002A	SIDE PANEL		
4	QYSDST2605ZA	TAP SCREW	M2.6 x 5mm(x3)	
5	GE40235-001A	SCREW	(x2)	
6	GE40235-004A	SCREW	(x3)	
7	QYSDST2604ZA	TAP SCREW	M2.6 x 4mm(x2)	
8	QYSDST2606ZA	TAP SCREW	M2.6 x 6mm	
9	QYSDST2610ZA	TAP SCREW	M2.6 x 10mm	
10	QYSDSF2006ZA	TAP SCREW	M2 x 6mm(x2)	
11	QYSDST2004ZA	TAP SCREW	M2 x 4mm(x2)	
12	QYSDST2003ZA	TAP SCREW	M2 x 3mm(x2)	
13	QYSDST2606ZA	TAP SCREW	M2.6 x 6mm(x2)	
14	QYSDST2604ZA	TAP SCREW	M2.6 x 4mm	ADV6270J,DV6200J,DV7205U,DV7205UN, DV7205UT,DV7205A,DV7206U,DV7206UN ,DV7206UT,DV7206A,DV6207EE
14	QYSDST2604ZA	TAP SCREW	M2.6 x 4mm(x2)	DV6201E,DV6201EU,DV6202E,DV6202EU
15	QYSDST2604ZA	TAP SCREW	M2.6 x 4mm	
16	QYSDST2610ZA	TAP SCREW	M2.6 x 10mm	
17	FSYH4036-100	SHEET		
18	LV40848-044A	SPACER(P)		
19	LV34460-001A	INSULATOR		
20	GE40311-001A	SUP BRACKET		
21	GE20192-001A	DUST COVER		
22	GE40332-001A	INSULATOR		
23	QYSDST2604ZA	TAP SCREW	M2.6 x 4mm(x2)	
24	GE40218-034A	SHEET		
25	GE40278-001A	SHEET		
26	GE32144-002A	F.CHASSIS ASSY		
27	GE32173-004A	FRONT COVER ASS		ADV6270J,DV6202E,DV6202EU,DV7206U ,DV7206UN,DV7206UT,DV7206A, DV6207EE
27	GE32173-002A	FRONT COVER ASS		DV6200J
27	GE32173-003A	FRONT COVER ASS		DV6201E,DV6201EU,DV7205U, DV7205UN,DV7205UT,DV7205A ADV6270J,DV6202E,DV6202EU,DV7206U ,DV7206UN,DV7206UT,DV7206A, DV6207EE
28	GE32136-004A	EJECT BUTTON		DV6200J
28	GE32136-002A	EJECT BUTTON		DV6201E,DV6201EU,DV7205U, DV7205UN,DV7205UT,DV7205A
28	GE32136-003A	EJECT BUTTON		DV7205UN,DV7205UT,DV7205A
29	GE40202-015A	COMP.SPRING		
30	GE32116-001A	LOCK LEVER GUID		
31	GE32117-002A	LOCK LEVER(L)		
32	GE32118-002A	DETACH LEVER		
33	GE32119-002A	LOCK LEVER (TOP)		
34	GE32120-001A	LOCK LEVER(R)		
35	GE32121-001A	OPEN LEVER		
36	GE40154-001A	GEAR		
37	QZW0108-002	OIL DAMPER		
38	GE40202-014A	COMPRESSION SPRING		
39	GE40301-002A	SPRING		
40	GE40303-003A	T.SPRING		
41	GE40304-001A	T.SPRING		
42	GE40305-001A	T.SPRING		
43	GE40156-001A	BLIND		
44	QYSDSF2008ZA	TAP SCREW	M2 x 8mm(x2)	
45	VKZ4777-010	MINI SCREW	(x2)	
46	GE10150-029A	FRONT PANEL		ADV6270J
46	GE10150-030A	FRONT PANEL		DV6200J
46	GE10150-035A	FRONT PANEL		DV6201E,DV6201EU
46	GE10150-036A	FRONT PANEL		DV6202E,DV6202EU
46	GE10150-031A	FRONT PANEL		DV7205U,DV7205UN,DV7205UT,DV7205A
46	GE10150-032A	FRONT PANEL		DV7206U,DV7206UN,DV7206UT,DV7206A
46	GE10150-037A	FRONT PANEL		DV6207EE
47	GE32143-015A	FINDER ASSY		ADV6270J
47	GE32143-014A	FINDER ASSY		DV6200J
47	GE32143-020A	FINDER ASSY		DV6201E,DV6201EU,DV6202E,DV6202EU ,DV7205U,DV7205UN,DV7205UT, DV7205A,DV7206U,DV7206UN,DV7206UT ,DV7206A,DV6207EE
48	GE40314-001A	VOLUME KNOB ASS		
49	GE32135-001A	BAND DISP BTN		

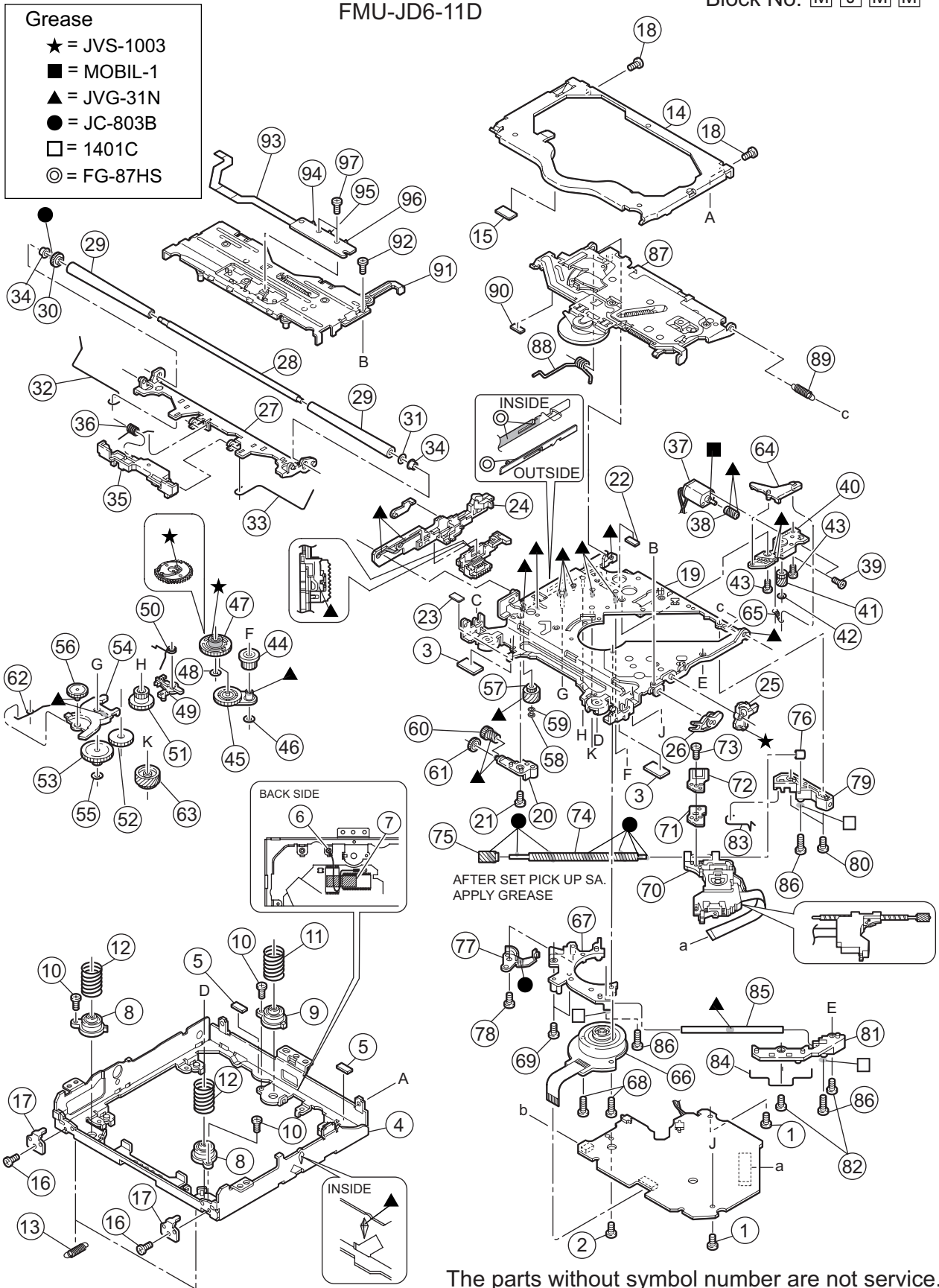
△	Symbol No.	Part No.	Part Name	Description	Local
	50	GE20193-003A	PRESET BUTTON		ADV6270J,DV6202E,DV6202EU,DV7206U ,DV7206UN,DV7206UT,DV7206A, DV6207EE
	50	GE20193-005A	PRESET BUTTON		DV6200J,DV6201E,DV6201EU,DV7205U, DV7205UN,DV7205UT,DV7205A
	51	GE32137-002A	UP/DOWN BTN		ADV6270J,DV6200J,DV7205U,DV7205UN, DV7205UT,DV7205A,DV7206U,DV7206UN ,DV7206UT,DV7206A
	51	GE32137-001A	UP/DOWN BTN		DV6201E,DV6201EU,DV6202E,DV6202EU ,DV6207EE
	52	GE32134-001A	SRC BUTTON		
	53	GE32133-001A	RIM COVER		
	54	GE32138-004A	DETACH BTN TOP		ADV6270J,DV6202E,DV6202EU,DV7206U ,DV7206UN,DV7206UT,DV7206A, DV6207EE
	54	GE32138-002A	DETACH BTN TOP		DV6200J
	54	GE32138-003A	DETACH BTN TOP		DV6201E,DV6201EU,DV7205U, DV7205UN,DV7205UT,DV7205A
	55	GE32139-001A	DETACH BTN BASE		
	56	GE40202-016A	COMP.SPRING		
	57	VKZ4777-010	MINI SCREW		
	58	GE10151-001A	REAR COVER		
	59	VKZ4777-010	MINI SCREW	(x5)	
	60	VKZ4777-011	MINI SCREW		
	61	GE32140-001A	LCD CASE		
	62	GE32142-001A	LENS		
	63	GE32141-001A	LENS CASE		
	64	GE40313-001A	LIGHTING SHEET		
	65	GE40321-001A	SHEET		
	66	GE32128-002A	BOTTOM COVER		
	67	GE32147-002A	INSULATOR		
	68	GE40320-003A	COOLING RUBBER		
	69	GE32076-001A	NAME PLATE		ADV6270J
	69	GE32079-001A	NAME PLATE		DV6200J
	69	GE32099-001A	NAME PLATE		DV6201E,DV6201EU
	69	GE32102-001A	NAME PLATE		DV6202E,DV6202EU
	69	GE32082-001A	NAME PLATE		DV7205U,DV7205UN,DV7205UT,DV7205A
	69	GE32086-001A	NAME PLATE		DV7206U,DV7206UN,DV7206UT,DV7206A
	69	GE32105-001A	NAME PLATE		DV6207EE
	70	GE31683-017A	LABEL (DVD)		ADV6270J,DV6200J
	70	GE31683-018A	LABEL (DVD)		DV6201E,DV6201EU,DV6202E,DV6202EU DV7205U,DV7205UN,DV7205UT, DV7206U,DV7206UN,DV7206UT
	70	GE31683-019A	LABEL (DVD)		DV7205A,DV7206A
	70	GE31683-020A	LABEL (DVD)		DV6207EE
	70	GE31683-024A	LABEL (DVD)		
	71	QLD0384-001	LCD MODULE		
	72	QNZ0867-001	RUBBER CONN		
	73	QUQP05-4510BB-E	FFC WIRE	45pin 10cm	
	74	QAM0548-001	L-IN CABLE		ADV6270J
	74	QAM0685-001	LINE IN CABLE		DV6200J,DV6201E,DV6201EU,DV6202E, DV6202EU,DV7205U,DV7205UN, DV7205UT,DV7205A,DV7206U,DV7206UN ,DV7206UT,DV7206A,DV6207EE
	75	QAM0683-001	COMPOSITE CABLE		
	76	VYTA500-001	PIN CAP	(x4)	
△	77	QMFZ039-150-T	FUSE	15A	
	78	QAR0353-001	FAN		
	79	GE32124-001A	REAR BARCKET		
	80	QYSDST2606ZA	TAP SCREW	M2.6 x 6mm	
	81	QYSDST2606ZA	TAP SCREW	M2.6 x 6mm	
	82	QYSDSF2606ZA	TAP SCREW	M2.6 x 6mm	
	83	QYSDSF2606ZA	TAP SCREW	M2.6 x 6mm	
	84	GE40307-002A	IC BRACKET		
	85	GE40308-001A	REG BRACKET		
	86	GE40310-001A	REG BRACKET		
	87	GE40324-001A	FAN BRACKET		
	88	QYSDST2604ZA	TAP SCREW	M2.6 x 4mm(x2)	
	89	GE40270-001A	SHIELD COVER		
	90	GE30854-001A	LED HOLDER		
	91	QAM0813-001	AUDIO CABLE		
	92	GE32129-002A	PWB USB BRACKET		
	93	QYSDST2606ZA	TAP SCREW	M2.6 x 6mm	
	94	GE40218-047A	SHEET		
	95	GE40218-048A	SHEET		
	96	LV41843-002A	LASER CAUTION		DV6201E,DV6201EU,DV6202E,DV6202EU ,DV7205U,DV7205UN,DV7205UT, DV7205A,DV7206U,DV7206UN,DV7206UT ,DV7206A,DV6207EE
	97	QAM0686-001	STEERING REMOTE		DV6201E,DV6201EU,DV6202E,DV6202EU
	98	GE31574-034A	UT LABEL		DV7205UT

△	Symbol No.	Part No.	Part Name	Description	Local
	98	GE31574-035A	UT LABEL		DV7206UT

DVD mechanism assembly and parts list

FMU-JD6-11D

Block No. M J M M



DVD mechanism

Block No. [M][J][M][M]

△	Symbol No.	Part No.	Part Name	Description	Local
	1	VKZ4539-056	MINI SCREW	(x2)	
	2	QYSPSFT2040ZA	TAP SCREW	M2 x 4mm	
	3	LV43481-001A	COOLING RUBBER	(x2)	
	4	LV10674-001A	CHASSIS FRAME		
	5	LV30225-0J6A	SPACER	(x2)	
	6	VKZ4539-056	MINI SCREW		
	7	VYSA1R4-056	SPACER		
	8	LV35272-001A	DAMPER(F)	(x2)	
	9	LV35273-001A	DAMPER(R)		
	10	QYSDST2005ZA	SCREW	M2 x 5mm(x3)	
	11	LV43039-001A	DAMPER SP.(R)		
	12	LV43849-001A	DAMPER SP(F2)	(x2)	
	13	LV43041-001A	FLOATING SPRING	(x2)	
	14	LV10675-001A	TOP COVER		
	15	LV30225-0J5A	SPACER		
	16	VKZ4539-056	MINI SCREW	(x2)	
	17	LV33669-001A	STOPPER	(x2)	
	18	VKZ4539-056	MINI SCREW	(x2)	
	19	LV21297-004A	CHAS. BASE ASSY		
	20	LV33608-002A	GEAR HOLDER		
	21	VKZ4539-056	MINI SCREW		
	22	LV43561-002A	ABSORBER		
	23	LV30225-0J5A	SPACER		
	24	LV36831-001A	SLIDE CAM ASSY2		
	25	LV33610-002A	FLOATING ARM		
	26	LV33611-001A	CONNECT ARM		
	27	LV33678-003A	LOADING A. ASSY		
	28	LV43049-001A	LOADING SHAFT		
	29	LV43052-003A	ROLLER	(x2)	
	30	LV33612-001A	LOADING GEAR		
	31	QYWFM124013	WASHER	4mm/1.2mm x 0.13mm	
	32	LV43053-002A	ROD(L)		
	33	LV43054-003A	ROD(R)		
	34	LV43001-001A	COLLAR	(x2)	
	35	LV21285-003A	PROTECTOR		
	36	LV43055-001A	PROTECTOR SP.		
	37	QAR0373-001	MOTOR		
	38	LV43002-002A	WORM GEAR		
	39	QYSPSPT2025MA	SCREW	M2 x 2.5mm(x2)	
	40	LV33679-001A	MOTOR H. ASSY		
	41	LV33614-003A	WORM WHEEL		
	42	QYWDL1230250	SLIT WASHER	3mm/1.2mm x 0.25mm	
	43	VKZ4539-056	MINI SCREW	(x2)	
	44	LV33615-001A	GEAR 2		
	45	LV43057-004A	IDLER ARM ASSY		
	46	QYWDL1635252	SLIT WASHER	3.5mm/1.6mm x 0.25mm	
	47	LV21286-001A	CONTROL CAM		
	48	QYWDL1230196	SLIT WASHER	3mm/1.2mm x 0.19mm	
	49	LV33616-002A	LOAD.LOCK LEVER		
	50	LV43060-001A	CAM SPRING		
	51	LV43005-001A	GEAR 4		
	52	LV43006-002A	GEAR 5		
	53	LV33617-002A	GEAR 6		
	54	LV33618-002A	LOADING G. ARM		
	55	QYWDL1635252	SLIT WASHER	3.5mm/1.6mm x 0.25mm	
	56	LV43007-002A	GEAR 7		
	57	LV33619-002A	GEAR 8		
	58	LV42132-001A	E RING		
	59	QYWFM215013	WASHER	5mm/2.1mm x 0.13mm	
	60	LV33620-001A	GEAR 9		
	61	LV43008-001A	GEAR10		
	62	LV43061-001A	LOAD SPRING		
	63	LV33621-001A	FEED GEAR		
	64	LV33622-002A	TRIGGER ARM		
	65	LV43062-001A	FEED TRI.SPRING		
	66	QAR0240-002	SPINDLE MOTOR		
	67	LV21287-002A	SPINDLE BASE		
	68	LV44169-001A	SPECIAL SCREW	(x2)	
	69	VKZ4539-056	MINI SCREW	(x2)	
	70	QAL0742-001	DVD PICK UP		
	71	LV34583-002A	CD RACK PLATE		
	72	LV34579-001A	CD RACK SPRING		
	73	LV43903-002A	MINI TAP SCREW		
	74	LV43037-001A	LEAD SCREW		

△ Symbol No.	Part No.	Part Name	Description	Local
75	LV43010-001A	L.S.GEAR		
76	LV43063-001A	L.S.COLLAR		
77	LV43011-001A	THRUST SPRING		
78	QYSPSFT2040ZA	TAP SCREW	M2 x 4mm	
79	LV33624-001A	HOLDER(M)		
80	VKZ4539-056	MINI SCREW	(x2)	
81	LV22130-001A	HOLDER(S) 2		
82	VKZ4539-056	MINI SCREW	(x2)	
83	LV43064-001A	ROD(M)		
84	LV43065-001A	ROD(S)		
85	LV43066-001A	SUB SHAFT		
86	VKZ4730-002	SPECIAL SCREW	(x3)	
87	LV21298-007A	CLAMPER UNIT		
88	LV43070-001A	CLAMPER SPRING		
89	LV43355-001A	CLAMPER2 SPRING		
90	LV30225-0J6A	SPACER		
91	LV22185-001A	FRONT UNIT (C)		
92	VKZ4539-056	MINI SCREW		
93	LVB30012-002A	SW FPC		
94	NSW0187-001	SWITCH		
95	NSW0187-001	SWITCH		
96	NSW0187-001	SWITCH		
97	VKZ4539-055	MINI SCREW	(x2)	

Electrical parts list

Main board

(KD-ADV6170J,DV6200J,DV7205U,
DV7205UN,DV7205UT,DV7205A,
DV7206U,DV7206UN,DV7206UT,
DV7206A)

Block No. [0][1]

Symbol No.	Part No.	Part Name	Description	Local
IC161	TDA7416	IC		
IC162	CD4066BPW-X	IC		
IC301	TB2904HQ	IC		
IC371	NJM2792V-X	IC		ADV6270J
IC401	SN74AHCT1G08V-X	IC		
IC402	TOTX177L	OPTICAL JACK		
IC411	MM1510XN-X	IC		
IC421	NJM4580V-X	IC		
IC431	LC75344M-X	IC		
IC471	BA05CC0WT-V5	IC REGULATOR		
△IC721	UPD784218AGC329	IC		
IC722	BR24L16F-W-X	IC(DIGITAL)		
IC723	S-80833CNNB-G-W	IC		
IC801	SN74AHC126NS-X	IC		
△IC901	R2S25401DS-E	IC		
△IC921	BA33BC0FP-X	IC		
△IC922	BD9781HFP-W	IC		
IC961	SN74LVC32APW-X	IC		
IC962	SN74HCT32APW-X	IC		
Q2	RT1N141C-X	DIGI TRANSISTOR		
Q161	RT1N141C-X	DIGI TRANSISTOR		
Q162	RT1N141C-X	DIGI TRANSISTOR		
Q191	KTD1304-X	TRANSISTOR		
Q192	RT1P441C-X	DIGI TRANSISTOR		
Q301	RT1N441C-X	TRANSISTOR		
Q302	RT1P441C-X	DIGI TRANSISTOR		
Q303	RT1N141C-X	DIGI TRANSISTOR		
Q304	RT1N141C-X	DIGI TRANSISTOR		
Q324	KTD1304-X	TRANSISTOR		
Q334	KTD1304-X	TRANSISTOR		
Q344	KTD1304-X	TRANSISTOR		
Q354	KTD1304-X	TRANSISTOR		
Q421	KTD1304-X	TRANSISTOR		
Q422	KTD1304-X	TRANSISTOR		
Q431	KTD1304-X	TRANSISTOR		
Q432	KTD1304-X	TRANSISTOR		
Q476	2SA1365/FI-X	TRANSISTOR		
Q477	RT1N141C-X	DIGI TRANSISTOR		
Q701	2SA1530A/R/-X	TRANSISTOR		
Q781	RT1P141C-X	DIGI TRANSISTOR		
Q782	RT1P141C-X	DIGI TRANSISTOR		
Q783	RT1P141C-X	DIGI TRANSISTOR		
Q784	RT1P141C-X	DIGI TRANSISTOR		
Q821	RT1N141C-X	DIGI TRANSISTOR		
Q822	RT1P141C-X	DIGI TRANSISTOR		
Q823	2SC4485/ST-T	TRANSISTOR		
Q881	2SC3928A/R/-X	TRANSISTOR		
Q885	RT1N141C-X	DIGI TRANSISTOR		
Q891	RT1N141C-X	DIGI TRANSISTOR		ADV6270J, DV7205U, DV7205UN ,DV7205U T,DV7205A ,DV7206U, DV7206UN ,DV7206U T,DV7206A
Q903	2SA1530A/R/-X	TRANSISTOR		
Q904	RT1N141C-X	DIGI TRANSISTOR		
Q976	RT1N441C-X	TRANSISTOR		
Q977	2SA1530A/R/-X	TRANSISTOR		
D1	1SS355W-X	DIODE C.M		
D2	1SS355W-X	DIODE C.M		

Symbol No.	Part No.	Part Name	Description	Local
D192	1SS355W-X	DIODE C.M		
D301	UDZW11B-X	Z DIODE		
D302	1SS355W-X	DIODE C.M		
D305	CRS03-W	SB DIODE		
D308	CRS03-W	SB DIODE		
D324	1SS355W-X	DIODE C.M		
D334	1SS355W-X	DIODE C.M		
D344	1SS355W-X	DIODE C.M		
D354	1SS355W-X	DIODE C.M		
D401	CRS03-W	SB DIODE		
D421	1SS355W-X	DIODE C.M		
D431	1SS355W-X	DIODE C.M		
D472	1A3G-T1	SI DIODE		
D701	UDZW6.2B-X	DIODE		
D702	UDZW6.2B-X	DIODE		
D703	UDZW6.2B-X	DIODE		
D704	UDZW6.2B-X	DIODE		
D705	UDZW6.2B-X	DIODE		
D706	UDZW6.2B-X	DIODE		
D707	UDZW6.2B-X	DIODE		
D709	UDZW6.2B-X	DIODE		
D710	UDZW6.2B-X	DIODE		
D711	UDZW6.2B-X	DIODE		
D716	UDZW6.2B-X	DIODE		
D717	UDZW6.2B-X	DIODE		
D719	SLR-56VC3F	DIODE C.M		
D731	1SS355W-X	DIODE C.M		
D732	UDZW6.2B-X	DIODE		
D781	MC2836-X	DIODE		
D782	MC2836-X	DIODE		
D783	UDZW11B-X	Z DIODE		
D784	UDZW11B-X	Z DIODE		
D785	1SS355W-X	DIODE C.M		
D801	CRS03-W	SB DIODE		
D821	UDZW12B-X	Z DIODE		
D851	CRS03-W	SB DIODE		DV7205U, DV7205UN ,DV7205U T,DV7205A ,DV7206U, DV7206UN ,DV7206U T,DV7206A
D852	CRS03-W	SB DIODE		DV7205U, DV7205UN ,DV7205U T,DV7205A ,DV7206U, DV7206UN ,DV7206U T,DV7206A
D885	1SS355W-X	DIODE C.M		ADV6270J, DV7205U, DV7205UN ,DV7205U T,DV7205A ,DV7206U, DV7206UN ,DV7206U T,DV7206A
△D901	1N5401-F64	SI DIODE		
D903	1SS355W-X	DIODE C.M		
D906	UDZW5.1B-X	SI DIODE		
D921	1A3G-T1	SI DIODE		
D922	RB051L-40-X	SB DIODE		
D923	CRS03-W	SB DIODE		
D924	CRS03-W	SB DIODE		
D925	CRS03-W	SB DIODE		
D981	CRS03-W	SB DIODE		
D982	CRS03-W	SB DIODE		
C1	NCB31HK-104X	C CAPACITOR	0.1uF 50V K	
C4	NCB31EK-104X	C CAPACITOR	0.1uF 25V K	
C5	QEKJ1CM-476Z	E CAPACITOR	47uF 16V M	
C6	NCB31EK-104X	C CAPACITOR	0.1uF 25V K	
C7	QEKJ1AM-227Z	E CAPACITOR	220uF 10V M	
C8	NCB31HK-104X	C CAPACITOR	0.1uF 50V K	
C9	QEKJ1HM-224Z	E CAPACITOR	0.22uF 50V M	

△ Symbol No.	Part No.	Part Name	Description	Local	△ Symbol No.	Part No.	Part Name	Description	Local
C12	NDC31HJ-2R0X	C CAPACITOR	2pF 50V J		C433	QEKJ1AM-227Z	E CAPACITOR	220uF 10V M	
C14	NDC31HJ-5R0X	C CAPACITOR	5pF 50V J		C434	NCS31HJ-151X	C CAPACITOR	150pF 50V J	
C83	QTE1E57-475Z	E CAPACITOR	4.7uF 25V		C435	NCS31HJ-101X	C CAPACITOR	100pF 50V J	
C93	QTE1E57-475Z	E CAPACITOR	4.7uF 25V		C436	NCS31HJ-221X	C CAPACITOR	220pF 50V J	
C141	NCB31HK-471X	C CAPACITOR	470pF 50V K		C437	QEKJ1EM-475Z	E CAPACITOR	4.7uF 25V M	
C151	NCB31HK-471X	C CAPACITOR	470pF 50V K		C438	QEKJ1EM-475Z	E CAPACITOR	4.7uF 25V M	
C155	NCB31AK-474X	C CAPACITOR	0.47uF 10V K		C441	QEKJ0JM-476Z	E CAPACITOR	47uF 6.3V M	
C161	QTE1A57-107Z	E CAPACITOR	100uF 10V		C451	QEKJ0JM-476Z	E CAPACITOR	47uF 6.3V M	
C162	NCB31CK-473X	C CAPACITOR	0.047uF 16V K		C461	QEKJ1CM-226Z	E CAPACITOR	22uF 16V M	
C163	NFV81CM-105X	MF CAPACITOR	1uF 16V M		C462	QEKJ1CM-476Z	E CAPACITOR	47uF 16V M	
C164	NFV81CM-105X	MF CAPACITOR	1uF 16V M		C463	NCF31CZ-104X	C CAPACITOR	0.1uF 16V Z	
C165	NFV81CM-105X	MF CAPACITOR	1uF 16V M		C464	QEKJ1CM-476Z	E CAPACITOR	47uF 16V M	
C166	QTE1C57-106Z	E CAPACITOR	10uF 16V		C465	NCF31CZ-104X	C CAPACITOR	0.1uF 16V Z	
C168	QEKJ1HM-225Z	E CAPACITOR	2.2uF 50V M		C474	QEKJ1AM-227Z	E CAPACITOR	220uF 10V M	
C169	NCB31HK-103X	C CAPACITOR	0.01uF 50V K		C475	NCB31HK-102X	C CAPACITOR	1000pF 50V K	
C170	QEKJ1CM-106Z	E CAPACITOR	10uF 16V M		C476	QEKJ1AM-227Z	E CAPACITOR	220uF 10V M	
C171	QTE1H57-225Z	E CAPACITOR	2.2uF 50V		C477	QEKJ1AM-107Z	E CAPACITOR	100uF 10V M	
C172	QTE1H55-225Z	E CAPACITOR	2.2uF 50V		C478	NCB31CK-104X	C CAPACITOR	0.1uF 16V K	
C174	QEKJ1HM-225Z	E CAPACITOR	2.2uF 50V M		C479	QEKJ1AM-107Z	E CAPACITOR	100uF 10V M	
C176	QEKJ1HM-225Z	E CAPACITOR	2.2uF 50V M		C480	QEKJ1AM-227Z	E CAPACITOR	220uF 10V M	
C177	QEKJ1HM-225Z	E CAPACITOR	2.2uF 50V M		C701	NCB31HK-103X	C CAPACITOR	0.01uF 50V K	
C181	QTE1H57-225Z	E CAPACITOR	2.2uF 50V		C702	NCB31CK-104X	C CAPACITOR	0.1uF 16V K	
C182	QTE1H55-225Z	E CAPACITOR	2.2uF 50V		C721	NCB31EK-473X	C CAPACITOR	0.047uF 25V K	
C184	QEKJ1HM-225Z	E CAPACITOR	2.2uF 50V M		C722	QEKJ1AM-227Z	E CAPACITOR	220uF 10V M	
C186	QEKJ1HM-225Z	E CAPACITOR	2.2uF 50V M		C723	NCS31HJ-471X	C CAPACITOR	470pF 50V J	
C187	QEKJ1HM-225Z	E CAPACITOR	2.2uF 50V M		C724	NCS31HJ-471X	C CAPACITOR	470pF 50V J	
C191	QEKJ0JM-476Z	E CAPACITOR	47uF 6.3V M		C725	QEKJ1AM-227Z	E CAPACITOR	220uF 10V M	
C267	QEKJ1CM-106Z	E CAPACITOR	10uF 16V M		C726	NDC31HJ-8R0X	C CAPACITOR	8pF 50V J	
C301	QEKJ1CM-476Z	E CAPACITOR	47uF 16V M		C727	NDC31HJ-270X	C CAPACITOR	27pF 50V J	
C302	NCB31HK-103X	C CAPACITOR	0.01uF 50V K		C728	NDC31HJ-270X	C CAPACITOR	27pF 50V J	
C311	NBE21CM-475X	TA E CAPACITOR	4.7uF 16V M		C729	NDC31HJ-220X	C CAPACITOR	22pF 50V J	
C312	QTE1C57-476Z	E CAPACITOR	47uF 16V		C730	QEKJ0JM-476Z	E CAPACITOR	47uF 6.3V M	
C313	NCB31HK-103X	C CAPACITOR	0.01uF 50V K		C731	NCB31CK-103X	C CAPACITOR	0.01uF 16V K	
C314	QEKJ1HM-225Z	E CAPACITOR	2.2uF 50V M		C732	QEKJ1AM-227Z	E CAPACITOR	220uF 10V M	
C315	QEKJ1CM-226Z	E CAPACITOR	22uF 16V M		C733	NCS31HJ-471X	C CAPACITOR	470pF 50V J	
C316	NCB31HK-103X	C CAPACITOR	0.01uF 50V K		C781	QEKJ0JM-476Z	E CAPACITOR	47uF 6.3V M	
C326	QEKJ1EM-475Z	E CAPACITOR	4.7uF 25V M		C782	QEKJ0JM-476Z	E CAPACITOR	47uF 6.3V M	
C328	NFV81CM-105X	MF CAPACITOR	1uF 16V M		C783	QEKJ1CM-476Z	E CAPACITOR	47uF 16V M	
C329	NCS31HJ-101X	C CAPACITOR	100pF 50V J		C784	QEKJ1CM-476Z	E CAPACITOR	47uF 16V M	
C331	NCB31HK-223X	C CAPACITOR	0.022uF 50V K		C802	NCS31HJ-220X	C CAPACITOR	22pF 50V J	
C336	QEKJ1EM-475Z	E CAPACITOR	4.7uF 25V M		C803	NCB31CK-473X	C CAPACITOR	0.047uF 16V K	
C338	NFV81CM-105X	MF CAPACITOR	1uF 16V M		C804	NCS31HJ-220X	C CAPACITOR	22pF 50V J	
C339	NCS31HJ-101X	C CAPACITOR	100pF 50V J		C821	QEKJ1CM-106Z	E CAPACITOR	10uF 16V M	
C346	QEKJ1EM-475Z	E CAPACITOR	4.7uF 25V M		C822	QEKJ1CM-106Z	E CAPACITOR	10uF 16V M	
C348	NFV81CM-105X	MF CAPACITOR	1uF 16V M		C823	NCB31HK-103X	C CAPACITOR	0.01uF 50V K	
C349	NCS31HJ-101X	C CAPACITOR	100pF 50V J						DV7205U, DV7205UN, .DV7205U T,DV7205A ,DV7206U ,DV7206UN T,DV7206A
C356	QEKJ1EM-475Z	E CAPACITOR	4.7uF 25V M		C851	NCB31CK-104X	C CAPACITOR	0.1uF 16V K	
C358	NFV81CM-105X	MF CAPACITOR	1uF 16V M						
C359	NCS31HJ-101X	C CAPACITOR	100pF 50V J						
C373	QEKJ1EM-475Z	E CAPACITOR	4.7uF 25V M	ADV6270J					
C374	QEKJ1EM-475Z	E CAPACITOR	4.7uF 25V M	ADV6270J					
C377	NCB31HK-152X	C CAPACITOR	1500pF 50V K	ADV6270J					
C378	NCB31HK-152X	C CAPACITOR	1500pF 50V K	ADV6270J					
C379	QEKJ1AM-227Z	E CAPACITOR	220uF 10V M	ADV6270J	C881	QEKJ1CM-226Z	E CAPACITOR	22uF 16V M	
C380	QEKJ1AM-227Z	E CAPACITOR	220uF 10V M	ADV6270J	C885	QEKJ1CM-106Z	E CAPACITOR	10uF 16V M	
C384	QEKJ1EM-475Z	E CAPACITOR	4.7uF 25V M	ADV6270J					ADV6270J, DV7205U, DV7205UN, .DV7205U T,DV7205A ,DV7206U ,DV7206UN T,DV7206A
C389	NCB31HK-104X	C CAPACITOR	0.1uF 50V K	ADV6270J					
C390	QEKJ1AM-107Z	E CAPACITOR	100uF 10V M	ADV6270J	C892	NCB31CK-104X	C CAPACITOR	0.1uF 16V K	
C391	QEKJ0JM-476Z	E CAPACITOR	47uF 6.3V M	ADV6270J					
C392	QEKJ0JM-476Z	E CAPACITOR	47uF 6.3V M	ADV6270J					
C401	NCS31HJ-220X	C CAPACITOR	22pF 50V J						
C402	NCB31HK-103X	C CAPACITOR	0.01uF 50V K						
C403	NCB31HK-103X	C CAPACITOR	0.01uF 50V K						
C404	QEKJ0JM-107Z	E CAPACITOR	100uF 6.3V M		C901	QEZ0722-338	E CAPACITOR	3300uF	
C405	NCS31HJ-220X	C CAPACITOR	22pF 50V J		C902	QEKJ1HM-225Z	E CAPACITOR	2.2uF 50V M	
C406	NCB31HK-103X	C CAPACITOR	0.01uF 50V K		C903	QEKJ1CM-106Z	E CAPACITOR	10uF 16V M	
C411	QEKJ1AM-227Z	E CAPACITOR	220uF 10V M						DV7205U, DV7205UN, .DV7205U T,DV7205A ,DV7206U ,DV7206UN T,DV7206A
C412	NCB31EK-473X	C CAPACITOR	0.047uF 25V K						
C413	QC20202-155Z	C CAPACITOR	1.5uF 25V Z		C904	NCF31CZ-104X	C CAPACITOR	0.1uF 16V Z	
C414	QERF0JM-337Z	E CAPACITOR	330uF 6.3V M						
C415	NCS31HJ-101X	C CAPACITOR	100pF 50V J						
C416	NCB31HK-103X	C CAPACITOR	0.01uF 50V K						
C423	QEKJ1AM-227Z	E CAPACITOR	220uF 10V M		C905	QEKJ1AM-107Z	E CAPACITOR	100uF 10V M	
C424	NCS31HJ-151X	C CAPACITOR	150pF 50V J		C906	NCF31CZ-104X	C CAPACITOR	0.1uF 16V Z	
C425	NCS31HJ-101X	C CAPACITOR	100pF 50V J		C907	NCB31HK-103X	C CAPACITOR	0.01uF 50V K	
C426	NCS31HJ-221X	C CAPACITOR	220pF 50V J		C908	QEKJ1AM-227Z	E CAPACITOR	220uF 10V M	
C427	QEKJ1EM-475Z	E CAPACITOR	4.7uF 25V M		C909	QEKJ1CM-107Z	E CAPACITOR	100uF 16V M	
C428	QEKJ1EM-475Z	E CAPACITOR	4.7uF 25V M		C910	NCB31HK-102X	C CAPACITOR	1000pF 50V K	

△ Symbol No.	Part No.	Part Name	Description	Local	△ Symbol No.	Part No.	Part Name	Description	Local
C911	NCB31HK-102X	C CAPACITOR	1000pF 50V K		R304	NRSA63J-473X	MG RESISTOR	47kΩ 1/16W J	
C912	QEKJ1CM-226Z	E CAPACITOR	22uF 16V M		R305	NRSA63J-103X	MG RESISTOR	10kΩ 1/16W J	
C913	NCB31EK-473X	C CAPACITOR	0.047uF 25V K		R306	NRSA63J-273X	MG RESISTOR	27kΩ 1/16W J	
C918	QEKJ1AM-227Z	E CAPACITOR	220uF 10V M		R307	NRSA63J-100X	MG RESISTOR	10Ω 1/16W J	
C919	NCB31HK-103X	C CAPACITOR	0.01uF 50V K		R308	NRSA63J-222X	MG RESISTOR	2.2kΩ 1/16W J	
C921	QEKJ1AM-227Z	E CAPACITOR	220uF 10V M		R323	NRSA63J-473X	MG RESISTOR	47kΩ 1/16W J	
C922	QEKJ1AM-107Z	E CAPACITOR	100uF 10V M		R324	NRSA63J-222X	MG RESISTOR	2.2kΩ 1/16W J	
C925	QEKJ1AM-227Z	E CAPACITOR	220uF 10V M		R325	NRSA63J-102X	MG RESISTOR	1kΩ 1/16W J	
C926	QEXF1AM-476Z	E CAPACITOR	47uF 10V M		R326	NRSA63J-101X	MG RESISTOR	100Ω 1/16W J	
C927	QEZ0595-477Z	E CAPACITOR	470uF		R327	NRSA63J-0R0X	MG RESISTOR	0Ω 1/16W J	
C928	NCF31CZ-104X	C CAPACITOR	0.1uF 16V Z		R329	NRSA63J-102X	MG RESISTOR	1kΩ 1/16W J	
C929	NCB31HK-472X	C CAPACITOR	4700pF 50V K		R330	NRSA63J-102X	MG RESISTOR	1kΩ 1/16W J	
C930	NCF31CZ-104X	C CAPACITOR	0.1uF 16V Z		R333	NRSA63J-473X	MG RESISTOR	47kΩ 1/16W J	
C961	QEKJ1AM-227Z	E CAPACITOR	220uF 10V M		R334	NRSA63J-222X	MG RESISTOR	2.2kΩ 1/16W J	
C962	QEKJ1AM-227Z	E CAPACITOR	220uF 10V M		R335	NRSA63J-102X	MG RESISTOR	1kΩ 1/16W J	
C963	QEKJ1AM-227Z	E CAPACITOR	220uF 10V M		R336	NRSA63J-101X	MG RESISTOR	100Ω 1/16W J	
C964	QEKJ1AM-227Z	E CAPACITOR	220uF 10V M		R337	NRSA63J-0R0X	MG RESISTOR	0Ω 1/16W J	
C965	QEKJ1AM-227Z	E CAPACITOR	220uF 10V M		R339	NRSA63J-102X	MG RESISTOR	1kΩ 1/16W J	
C966	NCB31CK-104X	C CAPACITOR	0.1uF 16V K		R340	NRSA63J-102X	MG RESISTOR	1kΩ 1/16W J	
C967	NCB31CK-104X	C CAPACITOR	0.1uF 16V K		R343	NRSA63J-473X	MG RESISTOR	47kΩ 1/16W J	
C968	NCB31EK-473X	C CAPACITOR	0.047uF 25V K		R344	NRSA63J-222X	MG RESISTOR	2.2kΩ 1/16W J	
C969	NCB31EK-473X	C CAPACITOR	0.047uF 25V K		R345	NRSA63J-102X	MG RESISTOR	1kΩ 1/16W J	
C970	QEKJ1CM-107Z	E CAPACITOR	100uF 16V M		R346	NRSA63J-101X	MG RESISTOR	100Ω 1/16W J	
C971	NCB31EK-473X	C CAPACITOR	0.047uF 25V K		R347	NRSA63J-0R0X	MG RESISTOR	0Ω 1/16W J	
C981	NCB31CK-104X	C CAPACITOR	0.1uF 16V K		R349	NRSA63J-102X	MG RESISTOR	1kΩ 1/16W J	
C999	NRSA63J-0R0X	MG RESISTOR	0Ω 1/16W J		R350	NRSA63J-102X	MG RESISTOR	1kΩ 1/16W J	
R2	NRSA63J-102X	MG RESISTOR	1kΩ 1/16W J		R353	NRSA63J-473X	MG RESISTOR	47kΩ 1/16W J	
R3	NRSA63J-102X	MG RESISTOR	1kΩ 1/16W J		R354	NRSA63J-222X	MG RESISTOR	2.2kΩ 1/16W J	
R5	NRSA63J-330X	MG RESISTOR	33Ω 1/16W J		R355	NRSA63J-102X	MG RESISTOR	1kΩ 1/16W J	
R6	NRSA63J-330X	MG RESISTOR	33Ω 1/16W J		R356	NRSA63J-101X	MG RESISTOR	100Ω 1/16W J	
R7	NRSA63J-103X	MG RESISTOR	10kΩ 1/16W J		R357	NRSA63J-0R0X	MG RESISTOR	0Ω 1/16W J	
R8	NRSA63J-332X	MG RESISTOR	3.3kΩ 1/16W J		R359	NRSA63J-102X	MG RESISTOR	1kΩ 1/16W J	
R9	NRSA63J-473X	MG RESISTOR	47kΩ 1/16W J		R360	NRSA63J-102X	MG RESISTOR	1kΩ 1/16W J	
R10	NRSA63J-472X	MG RESISTOR	4.7kΩ 1/16W J		R371	NRSA63J-0R0X	MG RESISTOR	0Ω 1/16W J	ADV6270J DV6200J.D V7205U.D V7205UN, DV7205UT, DV7205A, DV7206U, DV7206UN ,DV7206U T,DV7206A
R11	NRSA63J-472X	MG RESISTOR	4.7kΩ 1/16W J						
R12	NRS181J-4R7X	MG RESISTOR	4.7Ω 1/8W J						
R13	NRS181J-6R8X	MG RESISTOR	6.8Ω 1/8W J						
R81	NRSA63J-223X	MG RESISTOR	22kΩ 1/16W J						
R82	NRSA63J-512X	MG RESISTOR	5.1kΩ 1/16W J	ADV6270J, DV6200J DV7205U, DV7205UN ,DV7205U T,DV7205A ,DV7206U, DV7206UN ,DV7206U T,DV7206A					
R82	NRSA63J-822X	MG RESISTOR	8.2kΩ 1/16W J		R372	NRSA63J-102X	MG RESISTOR	1kΩ 1/16W J	ADV6270J DV6200J.D V7205U.D V7205UN, DV7205UT, DV7205A, DV7206U, DV7206UN ,DV7206U T,DV7206A
R91	NRSA63J-223X	MG RESISTOR	22kΩ 1/16W J						
R92	NRSA63J-512X	MG RESISTOR	5.1kΩ 1/16W J	ADV6270J, DV6200J DV7205U, DV7205UN ,DV7205U T,DV7205A ,DV7206U, DV7206UN ,DV7206U T,DV7206A					
R92	NRSA63J-822X	MG RESISTOR	8.2kΩ 1/16W J		R373	NRSA63J-104X	MG RESISTOR	100kΩ 1/16W J	ADV6270J
R141	NRSA63J-473X	MG RESISTOR	47kΩ 1/16W J		R374	NRSA63J-104X	MG RESISTOR	100kΩ 1/16W J	ADV6270J
R142	NRSA63J-0R0X	MG RESISTOR	0Ω 1/16W J		R375	NRSA63J-243X	MG RESISTOR	24kΩ 1/16W J	ADV6270J
R151	NRSA63J-473X	MG RESISTOR	47kΩ 1/16W J		R376	NRSA63J-243X	MG RESISTOR	24kΩ 1/16W J	ADV6270J
R152	NRSA63J-0R0X	MG RESISTOR	0Ω 1/16W J		R377	NRSA63J-363X	MG RESISTOR	36kΩ 1/16W J	ADV6270J
R155	NRSA63J-471X	MG RESISTOR	470Ω 1/16W J		R378	NRSA63J-363X	MG RESISTOR	36kΩ 1/16W J	ADV6270J
R161	NRSA63J-0R0X	MG RESISTOR	0Ω 1/16W J		R381	NRSA63J-102X	MG RESISTOR	1kΩ 1/16W J	ADV6270J
R162	NRSA63J-473X	MG RESISTOR	47kΩ 1/16W J						DV6200J.D V7205U.D V7205UN, DV7205UT, DV7205A, DV7206U, DV7206UN ,DV7206U T,DV7206A
R163	NRSA63J-473X	MG RESISTOR	47kΩ 1/16W J						
R164	NRSA63J-473X	MG RESISTOR	47kΩ 1/16W J		R382	NRSA63J-102X	MG RESISTOR	1kΩ 1/16W J	ADV6270J DV6200J.D V7205U.D V7205UN, DV7205UT, DV7205A, DV7206U, DV7206UN ,DV7206U T,DV7206A
R165	NRSA63J-473X	MG RESISTOR	47kΩ 1/16W J						
R166	NRSA63J-221X	MG RESISTOR	220Ω 1/16W J						
R171	NRSA63J-222X	MG RESISTOR	2.2kΩ 1/16W J						
R172	NRSA63J-222X	MG RESISTOR	2.2kΩ 1/16W J						
R173	NRSA63J-0R0X	MG RESISTOR	0Ω 1/16W J		R382	NRSA63J-0R0X	MG RESISTOR	0Ω 1/16W J	
R191	NRSA63J-472X	MG RESISTOR	4.7kΩ 1/16W J						
R192	NRSA63J-821X	MG RESISTOR	820Ω 1/16W J						
R193	NRSA63J-101X	MG RESISTOR	100Ω 1/16W J						
R194	NRSA63J-101X	MG RESISTOR	100Ω 1/16W J		R383	NRSA63J-104X	MG RESISTOR	100kΩ 1/16W J	ADV6270J
R197	NRSA63J-471X	MG RESISTOR	470Ω 1/16W J		R384	NRSA63J-104X	MG RESISTOR	100kΩ 1/16W J	ADV6270J
R302	NRSA63J-0R0X	MG RESISTOR	0Ω 1/16W J		R385	NRSA63J-243X	MG RESISTOR	24kΩ 1/16W J	ADV6270J

△ Symbol No.	Part No.	Part Name	Description	Local	△ Symbol No.	Part No.	Part Name	Description	Local
R386	NRSA63J-243X	MG RESISTOR	24kΩ 1/16W J	ADV6270J	R739	NRSA63J-472X	MG RESISTOR	4.7kΩ 1/16W J	
R387	NRSA63J-363X	MG RESISTOR	36kΩ 1/16W J	ADV6270J	R740	NRSA63J-222X	MG RESISTOR	2.2kΩ 1/16W J	
R388	NRSA63J-363X	MG RESISTOR	36kΩ 1/16W J	ADV6270J	R744	NRSA63J-821X	MG RESISTOR	820Ω 1/16W J	
R390	NRSA63J-0R0X	MG RESISTOR	0Ω 1/16W J	ADV6270J	R745	NRSA63J-106X	MG RESISTOR	10MΩ 1/16W J	
R401	NRSA63J-471X	MG RESISTOR	470Ω 1/16W J		R746	NRSA63J-473X	MG RESISTOR	47kΩ 1/16W J	
R402	NRSA63J-100X	MG RESISTOR	10Ω 1/16W J						DV6200J,D
R403	NRSA63J-471X	MG RESISTOR	470Ω 1/16W J		R747	NRSA63J-473X	MG RESISTOR	47kΩ 1/16W J	V7205A,D
R404	NRSA63J-2R2X	MG RESISTOR	2.2Ω 1/16W J						V7206A
R410	NRS181J-0R0X	MG RESISTOR	0Ω 1/8W J						ADV6270J,
R411	NRSA63J-0R0X	MG RESISTOR	0Ω 1/16W J						DV7205U,
R412	NRSA63D-682X	MG RESISTOR	6.8kΩ 1/16W D						DV7205UN
R413	NRSA63J-100X	MG RESISTOR	10Ω 1/16W J		R749	NRSA63J-473X	MG RESISTOR	47kΩ 1/16W J	,DV7205U
R414	NRSA63J-102X	MG RESISTOR	1kΩ 1/16W J						T,DV7206U
R415	NRSA63J-750X	MG RESISTOR	75Ω 1/16W J						,DV7206U
R416	NRSA63J-0R0X	MG RESISTOR	0Ω 1/16W J						N,DV7206
R417	NRSA63D-181X	MG RESISTOR	180Ω 1/16W D		R750	NRSA63J-473X	MG RESISTOR	47kΩ 1/16W J	UT
R421	NRSA63J-220X	MG RESISTOR	22Ω 1/16W J		R751	NRSA63J-333X	MG RESISTOR	33kΩ 1/16W J	
R422	NRSA63J-222X	MG RESISTOR	2.2kΩ 1/16W J		R755	NRSA63J-103X	MG RESISTOR	10kΩ 1/16W J	
R423	NRSA63J-222X	MG RESISTOR	2.2kΩ 1/16W J		R756	NRSA63J-222X	MG RESISTOR	2.2kΩ 1/16W J	
R424	NRSA63J-390X	MG RESISTOR	39Ω 1/16W J		R757	NRSA63J-473X	MG RESISTOR	47kΩ 1/16W J	
R425	NRSA63J-102X	MG RESISTOR	1kΩ 1/16W J		R758	NRSA63J-224X	MG RESISTOR	220kΩ 1/16W J	
R426	NRSA63J-183X	MG RESISTOR	18kΩ 1/16W J		R759	NRSA63J-224X	MG RESISTOR	220kΩ 1/16W J	
R427	NRSA63J-682X	MG RESISTOR	6.8kΩ 1/16W J		R760	NRSA63J-472X	MG RESISTOR	4.7kΩ 1/16W J	
R428	NRSA63J-472X	MG RESISTOR	4.7kΩ 1/16W J		R761	NRSA63J-472X	MG RESISTOR	4.7kΩ 1/16W J	
R429	NRSA63J-104X	MG RESISTOR	100kΩ 1/16W J		R762	NRSA63J-472X	MG RESISTOR	4.7kΩ 1/16W J	
R431	NRSA63J-220X	MG RESISTOR	22Ω 1/16W J		R763	NRSA63J-103X	MG RESISTOR	10kΩ 1/16W J	
R432	NRSA63J-222X	MG RESISTOR	2.2kΩ 1/16W J		R765	NRSA63J-103X	MG RESISTOR	10kΩ 1/16W J	
R433	NRSA63J-222X	MG RESISTOR	2.2kΩ 1/16W J		R766	NRSA63J-0R0X	MG RESISTOR	0Ω 1/16W J	
R434	NRSA63J-390X	MG RESISTOR	39Ω 1/16W J		R767	NRSA63J-0R0X	MG RESISTOR	0Ω 1/16W J	
R435	NRSA63J-102X	MG RESISTOR	1kΩ 1/16W J		R768	NRSA63J-0R0X	MG RESISTOR	0Ω 1/16W J	
R436	NRSA63J-183X	MG RESISTOR	18kΩ 1/16W J		R769	NRSA63J-0R0X	MG RESISTOR	0Ω 1/16W J	
R437	NRSA63J-682X	MG RESISTOR	6.8kΩ 1/16W J		R771	NRSA63J-392X	MG RESISTOR	3.9kΩ 1/16W J	
R438	NRSA63J-472X	MG RESISTOR	4.7kΩ 1/16W J		R772	NRSA63J-221X	MG RESISTOR	220Ω 1/16W J	
R439	NRSA63J-104X	MG RESISTOR	100kΩ 1/16W J		R773	NRSA63J-221X	MG RESISTOR	220Ω 1/16W J	
R441	NRSA63J-223X	MG RESISTOR	22kΩ 1/16W J		R774	NRSA63J-472X	MG RESISTOR	4.7kΩ 1/16W J	
R442	NRSA63J-223X	MG RESISTOR	22kΩ 1/16W J		R775	NRSA63J-472X	MG RESISTOR	4.7kΩ 1/16W J	
R451	NRSA63J-223X	MG RESISTOR	22kΩ 1/16W J		R776	NRSA63J-472X	MG RESISTOR	4.7kΩ 1/16W J	
R452	NRSA63J-223X	MG RESISTOR	22kΩ 1/16W J		R777	NRSA63J-102X	MG RESISTOR	1kΩ 1/16W J	
R461	NRSA63J-100X	MG RESISTOR	10Ω 1/16W J		R778	NRSA63J-103X	MG RESISTOR	10kΩ 1/16W J	
R462	NRSA63J-100X	MG RESISTOR	10Ω 1/16W J		R779	NRSA63J-222X	MG RESISTOR	2.2kΩ 1/16W J	
R463	NRSA63J-100X	MG RESISTOR	10Ω 1/16W J		R780	NRSA63J-222X	MG RESISTOR	2.2kΩ 1/16W J	
R471	NRSA63J-101X	MG RESISTOR	100Ω 1/16W J		R781	NRSA63J-471X	MG RESISTOR	470Ω 1/16W J	
R474	NRSA63J-101X	MG RESISTOR	100Ω 1/16W J		R782	NRSA63J-471X	MG RESISTOR	470Ω 1/16W J	
R475	NRSA63J-101X	MG RESISTOR	100Ω 1/16W J		R799	NRSA63J-222X	MG RESISTOR	2.2kΩ 1/16W J	
R479	NRSA63J-0R0X	MG RESISTOR	0Ω 1/16W J		R801	NRSA63J-101X	MG RESISTOR	100Ω 1/16W J	
R480	NRSA63J-0R0X	MG RESISTOR	0Ω 1/16W J		R802	NRSA63J-473X	MG RESISTOR	47kΩ 1/16W J	
R481	NRSA63J-103X	MG RESISTOR	10kΩ 1/16W J		R803	NRSA63J-223X	MG RESISTOR	22kΩ 1/16W J	
R482	NRSA63J-473X	MG RESISTOR	47kΩ 1/16W J		R804	NRSA63J-104X	MG RESISTOR	100kΩ 1/16W J	
R483	NRSA63J-102X	MG RESISTOR	1kΩ 1/16W J		R805	NRSA63J-103X	MG RESISTOR	10kΩ 1/16W J	
R484	NRSA63J-103X	MG RESISTOR	10kΩ 1/16W J		R806	NRSA63J-104X	MG RESISTOR	100kΩ 1/16W J	
R704	NRSA63J-271X	MG RESISTOR	270Ω 1/16W J		R807	NRSA63J-331X	MG RESISTOR	330Ω 1/16W J	
R705	NRSA63J-271X	MG RESISTOR	270Ω 1/16W J		R808	NRSA63J-223X	MG RESISTOR	22kΩ 1/16W J	
R706	NRSA63J-103X	MG RESISTOR	10kΩ 1/16W J		R809	NRSA63J-101X	MG RESISTOR	100Ω 1/16W J	
R707	NRSA63J-103X	MG RESISTOR	10kΩ 1/16W J		R810	NRSA63J-473X	MG RESISTOR	47kΩ 1/16W J	
R708	NRS181J-561X	MG RESISTOR	560Ω 1/8W J		R811	NRSA63J-0R0X	MG RESISTOR	0Ω 1/16W J	
R709	NRSA63J-562X	MG RESISTOR	5.6kΩ 1/16W J		R821	NRSA63J-100X	MG RESISTOR	10Ω 1/16W J	
R710	NRSA63J-102X	MG RESISTOR	1kΩ 1/16W J		R822	NRSA63J-471X	MG RESISTOR	470Ω 1/16W J	
R711	NRSA63J-103X	MG RESISTOR	10kΩ 1/16W J		R825	NRSA63J-223X	MG RESISTOR	22kΩ 1/16W J	
R712	NRSA63J-104X	MG RESISTOR	100kΩ 1/16W J						DV6200J,D
R713	NRSA63J-103X	MG RESISTOR	10kΩ 1/16W J						V7205U,D
R714	NRSA63J-104X	MG RESISTOR	100kΩ 1/16W J						V7205UN,
R715	NRSA63J-271X	MG RESISTOR	270Ω 1/16W J		R841	NRSA63J-473X	MG RESISTOR	47kΩ 1/16W J	DV7205UT,
R716	NRSA63J-271X	MG RESISTOR	270Ω 1/16W J						DV7206U,
R717	NRSA63J-331X	MG RESISTOR	330Ω 1/16W J						DV7206UN
R718	NRSA63J-103X	MG RESISTOR	10kΩ 1/16W J						,DV7206U
R719	NRSA63J-103X	MG RESISTOR	10kΩ 1/16W J						T
R720	NRSA63J-0R0X	MG RESISTOR	0Ω 1/16W J		R843	NRSA63J-473X	MG RESISTOR	47kΩ 1/16W J	ADV6270J,
R721	NRSA63J-222X	MG RESISTOR	2.2kΩ 1/16W J						DV7205A,
R722	NRSA63J-222X	MG RESISTOR	2.2kΩ 1/16W J		R844	NRSA63J-473X	MG RESISTOR	47kΩ 1/16W J	DV7206A
R725	NRSA63J-473X	MG RESISTOR	47kΩ 1/16W J		R846	NRSA63J-392X	MG RESISTOR	3.9kΩ 1/16W J	
R726	NRSA63J-103X	MG RESISTOR	10kΩ 1/16W J		R847	NRSA63J-392X	MG RESISTOR	3.9kΩ 1/16W J	
R727	NRSA63J-562X	MG RESISTOR	5.6kΩ 1/16W J		R848	NRSA63J-331X	MG RESISTOR	330Ω 1/16W J	
R728	NRSA63J-472X	MG RESISTOR	4.7kΩ 1/16W J						
R729	NRSA63J-0R0X	MG RESISTOR	0Ω 1/16W J						
R730	NRSA63J-222X	MG RESISTOR	2.2kΩ 1/16W J						
R733	NRSA63J-103X	MG RESISTOR	10kΩ 1/16W J						
R735	NRSA63J-0R0X	MG RESISTOR	0Ω 1/16W J						
R738	NRSA63J-472X	MG RESISTOR	4.7kΩ 1/16W J						

Symbol No.	Part No.	Part Name	Description	Local
R851	NRSA63J-472X	MG RESISTOR	4.7kΩ 1/16W J	DV7205U, DV7205UN, DV7205U, T,DV7205A, DV7206U, DV7206UN, DV7206U, T,DV7206A
R857	NRS181J-0R0X	MG RESISTOR	0Ω 1/8W J	
R859	NRSA63J-222X	MG RESISTOR	2.2kΩ 1/16W J	
R860	NRS181J-561X	MG RESISTOR	560Ω 1/8W J	
R881	NRSA63J-473X	MG RESISTOR	47kΩ 1/16W J	
R882	NRSA63J-103X	MG RESISTOR	10kΩ 1/16W J	
R883	NRSA63J-104X	MG RESISTOR	100kΩ 1/16W J	
R885	NRSA63J-473X	MG RESISTOR	47kΩ 1/16W J	
R886	NRSA63J-472X	MG RESISTOR	4.7kΩ 1/16W J	
R887	NRSA63J-103X	MG RESISTOR	10kΩ 1/16W J	
R888	NRSA63J-0R0X	MG RESISTOR	0Ω 1/16W J	
R889	NRSA63J-0R0X	MG RESISTOR	0Ω 1/16W J	
R891	NRSA63J-473X	MG RESISTOR	47kΩ 1/16W J	ADV6270J, DV7205U, DV7205UN, DV7205U, T,DV7205A, DV7206U, DV7206UN, DV7206U, T,DV7206A, ADV6270J, DV7205U, DV7205UN, DV7205U, T,DV7205A, DV7206U, DV7206UN, DV7206U, T,DV7206A
R892	NRSA63J-102X	MG RESISTOR	1kΩ 1/16W J	ADV6270J, DV7205U, DV7205UN, DV7205U, T,DV7205A, DV7206U, DV7206UN, DV7206U, T,DV7206A
R894	NRSA63J-0R0X	MG RESISTOR	0Ω 1/16W J	ADV6270J, DV7205U, DV7205UN, DV7205U, T,DV7205A, DV7206U, DV7206UN, DV7206U, T,DV7206A
R901	QRE142J-102X	C RESISTOR	1kΩ 1/4W J	
R902	NRSA63J-912X	MG RESISTOR	9.1kΩ 1/16W J	
R903	NRSA63J-472X	MG RESISTOR	4.7kΩ 1/16W J	
R909	NRSA63J-473X	MG RESISTOR	47kΩ 1/16W J	
R910	NRSA63J-222X	MG RESISTOR	2.2kΩ 1/16W J	
R914	NRS181J-221X	MG RESISTOR	220Ω 1/8W J	
R921	NRS181J-0R0X	MG RESISTOR	0Ω 1/8W J	
R923	NRSA63J-393X	MG RESISTOR	39kΩ 1/16W J	
R924	NRSA63J-103X	MG RESISTOR	10kΩ 1/16W J	
R925	NRSA63J-154X	MG RESISTOR	150kΩ 1/16W J	
R926	NRSA63D-304X	MG RESISTOR	300kΩ 1/16W D	
R927	NRSA63J-0R0X	MG RESISTOR	0Ω 1/16W J	
R928	NRSA63J-473X	MG RESISTOR	47kΩ 1/16W J	
R961	NRS181J-0R0X	MG RESISTOR	0Ω 1/8W J	
R962	NRSA63J-101X	MG RESISTOR	100Ω 1/16W J	
R967	NRS181J-0R0X	MG RESISTOR	0Ω 1/8W J	
R968	NRS181J-0R0X	MG RESISTOR	0Ω 1/8W J	
R969	NRS181J-0R0X	MG RESISTOR	0Ω 1/8W J	
R973	NRSA63J-223X	MG RESISTOR	22kΩ 1/16W J	
R974	NRSA63J-223X	MG RESISTOR	22kΩ 1/16W J	
R975	NRSA63J-223X	MG RESISTOR	22kΩ 1/16W J	
R976	NRSA63J-563X	MG RESISTOR	56kΩ 1/16W J	
R977	NRSA63J-183X	MG RESISTOR	18kΩ 1/16W J	
R981	NRS181J-222X	MG RESISTOR	2.2kΩ 1/8W J	
R982	NRS181J-222X	MG RESISTOR	2.2kΩ 1/8W J	
RA721	NRZ0065-222X	NET RESISTOR	2.2kΩ	
RA722	NRZ0065-222X	NET RESISTOR	2.2kΩ	
RA723	NRZ0065-103X	NET RESISTOR	10kΩ 1/16W J	
L1	NQL334J-4R7X	INDUCTOR CM	4.7uH J	
L2	NQL093K-R22X	COIL	0.22uH K	
L401	NQR0007-002X	FERRITE BEADS		
L411	NQL114K-470X	COIL	47uH K	
L421	NQR0007-002X	FERRITE BEADS		
L430	NQR0007-002X	FERRITE BEADS		

Symbol No.	Part No.	Part Name	Description	Local
L431	NQR0007-002X	FERRITE BEADS		
L721	NQL38DK-330X	COIL	33uH K	
L722	NQL114K-470X	COIL	47uH K	
L901	QQR1378-002	COIL		
L902	NQL56CK-220X	COIL	22uH K	
L924	NQL56CK-220X	COIL	22uH K	
L925	NQL71EM-330X	COIL	33uH M	
CN141	QGA2006C1-04	CONNECTOR	W-B (1-4)	
CN411	QGA2501F1-02	CONNECTOR	W-B (1-2)	
CN421	QGA2006C1-04	CONNECTOR	W-B (1-4)	
CN471	QGB1004J2-16X	CONNECTOR	B-B (1-16)	
CN701	QNZ0605-001	CAR CONNECTOR		
CN702	WJK0224-001A-E	2PIN CABLE		
CN821	QGA2001C1-02	CONNECTOR	W-B (1-2)	
CN901	QNZ0607-001	CAR CONNECTOR		
CN961	QGB2027M3-30S	CONNECTOR	B-B (1-30)	
CN962	QGF0534F3-45X	CONNECTOR	FFC/FPC (1-45)	
CN963	QGB2027L9-30X	CONNECTOR	B-B (1-30)	
J331	QNN0748-001	PIN JACK		ADV6270J, DV6200J,D V7205U,D V7205UN, DV7205UT, DV7205A, DV7206U, DV7206UN, DV7206U, T,DV7206A
J331	QNN0747-001	MODULAR JACK		
J801	QNZ0095-001	CONNECTOR		
K401	NQR0007-002X	FERRITE BEADS		
K402	NQR0007-002X	FERRITE BEADS		
K411	NQR0201-004X	FERRITE BEADS		
PP1	QZW0010-001	STYLE PIN		
PP2	QZW0010-001	STYLE PIN		
S701	QSW0451-001	DETECT SW		
S702	QSW0451-001	DETECT SW		
S723	QSW1049-001Z	TACT SW		
TH721	NAD0028-103X	N THERMISTOR	10kΩ	
TU21	QAU0443-002	TUNER PACK		
W21	QAM0105-003	CAR CABLE		
X721	QAX0617-001Z	CRYSTAL	12.500MHz	
X722	QAX0401-001	CRYSTAL	32.768KHz	

**Switch board
(KD-ADV6170J,DV6200J,DV7205U,
DV7205UN,DV7205UT,DV7205A,
DV7206U,DV7206UN,DV7206UT,
DV7206A)**

Block No. [0][2]

Symbol No.	Part No.	Part Name	Description	Local
IC601	PT6523LQ-L	LCD DRIVER		
IC602	RPM7338-V4	RM.RECEIVER		
Q640	2SA1365/FI-X	TRANSISTOR		
Q641	RT1N141C-X	DIGI TRANSISTOR		
D601	LSQ971/KL/-X	LED		
D602	LSQ971/KL/-X	LED		
D603	LSQ971/KL/-X	LED		
D604	LSQ971/KL/-X	LED		
D605	LSQ971/KL/-X	LED		
D606	LSQ971/KL/-X	LED		
D607	LSQ971/KL/-X	LED		
D608	SML310BA1T/HJ-X	LED		
D609	SML310BA1T/HJ-X	LED		
D610	LSQ971/KL/-X	LED		
D611	LSQ971/KL/-X	LED		

△ Symbol No.	Part No.	Part Name	Description	Local	△ Symbol No.	Part No.	Part Name	Description	Local
D612	LSQ971/KL/-X	LED			S610	NSW0206-001X	TACT SWITCH		
D613	LSQ971/KL/-X	LED			S611	NSW0206-001X	TACT SWITCH		
D614	LSQ971/KL/-X	LED			S612	NSW0206-001X	TACT SWITCH		
D615	LSQ971/KL/-X	LED			S613	NSW0206-001X	TACT SWITCH		
D616	LSQ971/KL/-X	LED			S614	NSW0206-001X	TACT SWITCH		
D617	LSQ971/KL/-X	LED			S616	NSW0206-001X	TACT SWITCH		
D618	SML310BA1T/HJ-X	LED			S617	NSW0206-001X	TACT SWITCH		
D620	SML310BA1T/HJ-X	LED							
D621	SML310BA1T/HJ-X	LED							
D640	MC2838-X	DIODE							
D641	UDZW5.1B-X	SI DIODE							
D642	1SS355W-X	DIODE C.M							
D643	UDZW6.2B-X	DIODE							
D645	NSPW310BS/BRST/	LED							
D646	NSPW310BS/BRST/	LED							
C601	NCB31HK-223X	C CAPACITOR	0.022uF 50V K						
C602	NCS31HJ-681X	C CAPACITOR	680pF 50V J						
C603	NBE20JM-106X	TA E CAPACITOR	10uF 6.3V M						
C611	NCB31HK-123X	C CAPACITOR	0.012uF 50V K						
C612	NBE20JM-475X	TA E CAPACITOR	4.7uF 6.3V M						
R601	NRSA63J-821X	MG RESISTOR	820Ω 1/16W J						
R602	NRSA63J-821X	MG RESISTOR	820Ω 1/16W J						
R603	NRSA63J-122X	MG RESISTOR	1.2kΩ 1/16W J						
R604	NRSA63J-182X	MG RESISTOR	1.8kΩ 1/16W J						
R605	NRSA63J-272X	MG RESISTOR	2.7kΩ 1/16W J						
R606	NRSA63J-392X	MG RESISTOR	3.9kΩ 1/16W J						
R607	NRSA63J-821X	MG RESISTOR	820Ω 1/16W J						
R608	NRSA63J-821X	MG RESISTOR	820Ω 1/16W J						
R609	NRSA63J-122X	MG RESISTOR	1.2kΩ 1/16W J						
R610	NRSA63J-182X	MG RESISTOR	1.8kΩ 1/16W J						
R611	NRSA63J-272X	MG RESISTOR	2.7kΩ 1/16W J						
R612	NRSA63J-392X	MG RESISTOR	3.9kΩ 1/16W J						
R613	NRSA63J-821X	MG RESISTOR	820Ω 1/16W J						
R614	NRSA63J-821X	MG RESISTOR	820Ω 1/16W J						
R632	NRSA02J-821X	MG RESISTOR	820Ω 1/10W J						
R634	NRSA63J-301X	MG RESISTOR	300Ω 1/16W J						
R636	NRSA63J-301X	MG RESISTOR	300Ω 1/16W J						
R638	NRSA63J-301X	MG RESISTOR	300Ω 1/16W J						
R640	NRSA63J-680X	MG RESISTOR	68Ω 1/16W J						
R641	NRS181J-101X	MG RESISTOR	100Ω 1/8W J						
R642	NRSA63J-680X	MG RESISTOR	68Ω 1/16W J						
R643	NRSA63J-680X	MG RESISTOR	68Ω 1/16W J						
R644	NRSA63J-431X	MG RESISTOR	430Ω 1/16W J						
R646	NRSA63J-431X	MG RESISTOR	430Ω 1/16W J						
R648	NRSA63J-431X	MG RESISTOR	430Ω 1/16W J						
R650	NRS181J-221X	MG RESISTOR	220Ω 1/8W J						
R651	NRSA63J-222X	MG RESISTOR	2.2kΩ 1/16W J						
R652	NRSA63J-222X	MG RESISTOR	2.2kΩ 1/16W J						
R653	NRSA63J-103X	MG RESISTOR	10kΩ 1/16W J						
R654	NRSA63J-103X	MG RESISTOR	10kΩ 1/16W J						
R655	NRSA63J-103X	MG RESISTOR	10kΩ 1/16W J						
R656	NRSA63J-103X	MG RESISTOR	10kΩ 1/16W J						
R657	NRSA63J-513X	MG RESISTOR	51kΩ 1/16W J						
R658	NRSA63J-184X	MG RESISTOR	180kΩ 1/16W J						
R660	NRSA02J-391X	MG RESISTOR	390Ω 1/10W J						
R661	NRSA02J-391X	MG RESISTOR	390Ω 1/10W J						
R670	NRSA63J-0R0X	MG RESISTOR	0Ω 1/16W J						
R672	NRSA02J-471X	MG RESISTOR	470Ω 1/10W J						
R673	NRSA02J-473X	MG RESISTOR	47kΩ 1/10W J						
R674	NRSA02J-102X	MG RESISTOR	1kΩ 1/10W J						
R680	NRSA63J-680X	MG RESISTOR	68Ω 1/16W J						
R681	NRSA63J-680X	MG RESISTOR	68Ω 1/16W J						
R691	NRSA63J-103X	MG RESISTOR	10kΩ 1/16W J						
R692	NRSA63J-471X	MG RESISTOR	470Ω 1/16W J						
CN601	NNZ0085-001	CAR CONNECTOR							
EN601	QSW1163-001	ROTARY ENCODER							
S601	NSW0206-001X	TACT SWITCH							
S602	NSW0206-001X	TACT SWITCH							
S603	NSW0206-001X	TACT SWITCH							
S604	NSW0206-001X	TACT SWITCH							
S605	NSW0206-001X	TACT SWITCH							
S606	NSW0206-001X	TACT SWITCH							
S607	NSW0206-001X	TACT SWITCH							
S608	NSW0206-001X	TACT SWITCH							
S609	NSW0206-001X	TACT SWITCH							
IC401	TCC760	IC							
IC441	SA04D70TFI021A	IC(PROGRAMED)							
IC442	K4S161622H-UC60	IC							
IC451	AK4385ET-X	IC							
IC452	NJM4565V-X	IC							
IC481	SN74LVC2G07V-X	LOGIC IC							
IC482	SN74AHCT1G08V-X	IC							
IC521	BH18LB1WG-W	1.8V REG							
Q401	RT1N141C-X	DIGI TRANSISTOR							
D532	UDZW5.1B-X	SI DIODE							
D533	UDZW5.1B-X	SI DIODE							
D600	SML-310LT/MN/-X	LED							
C402	NCB31CK-104X	C CAPACITOR	0.1uF 16V K						
C403	NCB31CK-104X	C CAPACITOR	0.1uF 16V K						
C404	NCB31CK-104X	C CAPACITOR	0.1uF 16V K						
C406	NCB31CK-104X	C CAPACITOR	0.1uF 16V K						
C407	NDC31HJ-270X	C CAPACITOR	27pF 50V J						
C408	NDC31HJ-270X	C CAPACITOR	27pF 50V J						
C409	NCB31CK-104X	C CAPACITOR	0.1uF 16V K						
C410	NCB31CK-104X	C CAPACITOR	0.1uF 16V K						
C411	NDC31HJ-331X	C CAPACITOR	330pF 50V J						
C412	NCB31CK-104X	C CAPACITOR	0.1uF 16V K						
C413	NCB31CK-104X	C CAPACITOR	0.1uF 16V K						
C414	NCB31CK-104X	C CAPACITOR	0.1uF 16V K						
C415	NCB31CK-104X	C CAPACITOR	0.1uF 16V K						
C416	NCB31CK-104X	C CAPACITOR	0.1uF 16V K						
C417	NCB31CK-104X	C CAPACITOR	0.1uF 16V K						
C418	NCB31CK-104X	C CAPACITOR	0.1uF 16V K						
C419	NCB31CK-104X	C CAPACITOR	0.1uF 16V K						
C420	NCB31CK-104X	C CAPACITOR	0.1uF 16V K						
C440	NCB31AK-154X	C CAPACITOR	0.15uF 10V K						
C441	NCB31CK-104X	C CAPACITOR	0.1uF 16V K						
C442	NBE20JM-226X	TA E CAPACITOR	22uF 6.3V M						
C443	NCB31CK-104X	C CAPACITOR	0.1uF 16V K						
C444	NCB31CK-104X	C CAPACITOR	0.1uF 16V K						
C445	NCB31CK-104X	C CAPACITOR	0.1uF 16V K						
C446	NCB31CK-104X	C CAPACITOR	0.1uF 16V K						
C447	NCB31CK-104X	C CAPACITOR	0.1uF 16V K						
C448	NBE20JM-226X	TA E CAPACITOR	22uF 6.3V M						
C449	NCB31CK-104X	C CAPACITOR	0.1uF 16V K						
C451	NCB31HK-331X	C CAPACITOR	330pF 50V K						
C453	NCB31CK-473X	C CAPACITOR	0.047uF 16V K						
C454	NBE41AM-476X	TA E CAPACITOR	47uF 10V M						
C455	NCB31CK-104X	C CAPACITOR	0.1uF 16V K						
C456	NCB31CK-104X	C CAPACITOR	0.1uF 16V K						
C457	NBE41AM-476X	TA E CAPACITOR	47uF 10V M						
C461	NCB31HK-332X	C CAPACITOR	3300pF 50V K						
C462	NCS31HJ-471X	C CAPACITOR	470pF 50V J						
C463	NCS31HJ-471X	C CAPACITOR	470pF 50V J						
C464	NCB31CK-104X	C CAPACITOR	0.1uF 16V K						

**USB board
(KD-ADV6170J,DV6200J,DV7205U,
DV7205UN,DV7205UT,DV7205A,
DV7206U,DV7206UN,DV7206UT,
DV7206A)**

Block No. [0][3]

Symbol No.	Part No.	Part Name	Description	Local
C465	NBE41AM-476X	TA E CAPACITOR	47uF 10V M	
C471	NCB31HK-332X	C CAPACITOR	3300pF 50V K	
C472	NCS31HJ-471X	C CAPACITOR	470pF 50V J	
C473	NCS31HJ-471X	C CAPACITOR	470pF 50V J	
C474	NCB31CK-104X	C CAPACITOR	0.1uF 16V K	
C475	NBE41AM-476X	TA E CAPACITOR	47uF 10V M	
C481	NCB31CK-104X	C CAPACITOR	0.1uF 16V K	
C482	NCB31CK-104X	C CAPACITOR	0.1uF 16V K	
C521	NBE21CM-475X	TA E CAPACITOR	4.7uF 16V M	
C522	NCB31CK-104X	C CAPACITOR	0.1uF 16V K	
C531	NCB31AK-474X	C CAPACITOR	0.47uF 10V K	

Symbol No.	Part No.	Part Name	Description	Local
CN531	QNZ0855-001	USB CONNECTOR		
CN532	QGB1004K1-16	CONNECTOR	B-B (1-16)	
CN600	QGA1501C6-02	CONNECTOR	W-B (1-2)	
F531	NAD0031-004X	N THERMISTOR	Ω	
K441	NQR0502-001X	FERRITE BEADS		
X402	NAX0832-001X	CRYSTAL		

Main board (KD-DV6201E,DV6201EU, DV6202E,6202EU)

Block No. [0][4]

Symbol No.	Part No.	Part Name	Description	Local
------------	----------	-----------	-------------	-------

IC71	LC72725NM-X	IC		
IC161	TDA7416	IC		
IC162	CD4066BPW-X	IC		
IC301	TB2904HQ	IC		
IC401	SN74AHCT1G08V-X	IC		
IC402	TOTX177L	OPTICAL JACK		
IC411	MM1510XN-X	IC		
IC421	NJM4580V-X	IC		
IC431	LC75344M-X	IC		
IC471	BA05CC0WT-V5	IC REGULATOR		
△IC721	UPD784218AGC328	IC		
IC722	BR24L32F-W-X	IC(DIGITAL)		
IC723	S-80833CNNB-G-W	IC		
IC801	SN74AHC126NS-X	IC		
△IC901	R2S25401DS-E	IC		
△IC921	BA33BC0FP-X	IC		
△IC922	BD9781HFP-W	IC		
IC961	SN74LVC32APW-X	IC		
IC962	SN74HCT32APW-X	IC		

Q2	RT1N141C-X	DIGI TRANSISTOR		
Q161	RT1N141C-X	DIGI TRANSISTOR		
Q162	RT1N141C-X	DIGI TRANSISTOR		
Q191	KTD1304-X	TRANSISTOR		
Q192	RT1P441C-X	DIGI TRANSISTOR		
Q301	RT1N441C-X	TRANSISTOR		
Q302	RT1P441C-X	DIGI TRANSISTOR		
Q303	RT1N141C-X	DIGI TRANSISTOR		
Q304	RT1N141C-X	DIGI TRANSISTOR		
Q324	KTD1304-X	TRANSISTOR		
Q334	KTD1304-X	TRANSISTOR		
Q344	KTD1304-X	TRANSISTOR		
Q354	KTD1304-X	TRANSISTOR		
Q421	KTD1304-X	TRANSISTOR		
Q422	KTD1304-X	TRANSISTOR		
Q431	KTD1304-X	TRANSISTOR		
Q432	KTD1304-X	TRANSISTOR		
Q476	2SA1365/F/-X	TRANSISTOR		
Q477	RT1N141C-X	DIGI TRANSISTOR		
Q701	2SA1530A/R/-X	TRANSISTOR		
Q781	RT1P141C-X	DIGI TRANSISTOR		
Q782	RT1P141C-X	DIGI TRANSISTOR		
Q783	RT1P141C-X	DIGI TRANSISTOR		
Q784	RT1P141C-X	DIGI TRANSISTOR		
Q821	RT1N141C-X	DIGI TRANSISTOR		
Q822	RT1P141C-X	DIGI TRANSISTOR		
Q823	2SC4485/ST/-T	TRANSISTOR		
Q881	2SC3928A/R/-X	TRANSISTOR		
Q885	RT1N141C-X	DIGI TRANSISTOR		
Q891	RT1N141C-X	DIGI TRANSISTOR		
Q903	2SA1530A/R/-X	TRANSISTOR		
Q904	RT1N141C-X	DIGI TRANSISTOR		
Q976	RT1N441C-X	TRANSISTOR		
Q977	2SA1530A/R/-X	TRANSISTOR		

D1	1SS355W-X	DIODE C.M		
D2	1SS355W-X	DIODE C.M		
D192	1SS355W-X	DIODE C.M		

R398	NRSA63J-0R0X	MG RESISTOR	0Ω 1/16W J	
R399	NRSA63J-0R0X	MG RESISTOR	0Ω 1/16W J	
R401	NRSA63J-0R0X	MG RESISTOR	0Ω 1/16W J	
R402	NRSA63J-0R0X	MG RESISTOR	0Ω 1/16W J	
R403	NRSA63J-0R0X	MG RESISTOR	0Ω 1/16W J	
R404	NRSA63J-472X	MG RESISTOR	4.7kΩ 1/16W J	
R405	NRSA63J-472X	MG RESISTOR	4.7kΩ 1/16W J	
R406	NRSA63J-472X	MG RESISTOR	4.7kΩ 1/16W J	
R407	NRSA63J-0R0X	MG RESISTOR	0Ω 1/16W J	
R408	NRSA63J-0R0X	MG RESISTOR	0Ω 1/16W J	
R409	NRSA63J-102X	MG RESISTOR	1kΩ 1/16W J	
R410	NRSA63J-0R0X	MG RESISTOR	0Ω 1/16W J	
R411	NRSA63J-152X	MG RESISTOR	1.5kΩ 1/16W J	
R412	NRSA63J-105X	MG RESISTOR	1MΩ 1/16W J	
R414	NRSA63J-0R0X	MG RESISTOR	0Ω 1/16W J	
R415	NRSA63J-0R0X	MG RESISTOR	0Ω 1/16W J	
R416	NRSA63J-0R0X	MG RESISTOR	0Ω 1/16W J	
R417	NRSA63J-0R0X	MG RESISTOR	0Ω 1/16W J	
R418	NRSA63J-0R0X	MG RESISTOR	0Ω 1/16W J	
R420	NRSA63J-104X	MG RESISTOR	100kΩ 1/16W J	
R421	NRSA63J-472X	MG RESISTOR	4.7kΩ 1/16W J	
R425	NRSA63J-103X	MG RESISTOR	10kΩ 1/16W J	
R426	NRSA63J-0R0X	MG RESISTOR	0Ω 1/16W J	
R435	NRSA63J-472X	MG RESISTOR	4.7kΩ 1/16W J	
R436	NRSA63J-472X	MG RESISTOR	4.7kΩ 1/16W J	
R437	NRSA63J-472X	MG RESISTOR	4.7kΩ 1/16W J	
R441	NRSA63J-102X	MG RESISTOR	1kΩ 1/16W J	
R444	NRSA63J-0R0X	MG RESISTOR	0Ω 1/16W J	
R446	NRSA63J-472X	MG RESISTOR	4.7kΩ 1/16W J	
R447	NRSA63J-0R0X	MG RESISTOR	0Ω 1/16W J	
R448	NRSA63J-473X	MG RESISTOR	47kΩ 1/16W J	
R451	NRSA63J-473X	MG RESISTOR	47kΩ 1/16W J	
R452	NRSA63J-0R0X	MG RESISTOR	0Ω 1/16W J	
R453	NRSA63J-4R7X	MG RESISTOR	4.7Ω 1/16W J	
R454	NRSA63J-100X	MG RESISTOR	10Ω 1/16W J	
R455	NRSA63J-100X	MG RESISTOR	10Ω 1/16W J	
R460	NRSA63J-122X	MG RESISTOR	1.2kΩ 1/16W J	
R461	NRSA63J-472X	MG RESISTOR	4.7kΩ 1/16W J	
R462	NRSA63J-472X	MG RESISTOR	4.7kΩ 1/16W J	
R463	NRSA63J-223X	MG RESISTOR	22kΩ 1/16W J	
R464	NRSA63J-472X	MG RESISTOR	4.7kΩ 1/16W J	
R465	NRSA63J-201X	MG RESISTOR	200Ω 1/16W J	
R466	NRSA63J-223X	MG RESISTOR	22kΩ 1/16W J	
R467	NRSA63J-472X	MG RESISTOR	4.7kΩ 1/16W J	
R468	NRSA63J-201X	MG RESISTOR	200Ω 1/16W J	
R469	NRSA63J-102X	MG RESISTOR	1kΩ 1/16W J	
R470	NRSA63J-122X	MG RESISTOR	1.2kΩ 1/16W J	
R471	NRSA63J-472X	MG RESISTOR	4.7kΩ 1/16W J	
R472	NRSA63J-472X	MG RESISTOR	4.7kΩ 1/16W J	
R473	NRSA63J-223X	MG RESISTOR	22kΩ 1/16W J	
R474	NRSA63J-472X	MG RESISTOR	4.7kΩ 1/16W J	
R475	NRSA63J-201X	MG RESISTOR	200Ω 1/16W J	
R476	NRSA63J-223X	MG RESISTOR	22kΩ 1/16W J	
R477	NRSA63J-472X	MG RESISTOR	4.7kΩ 1/16W J	
R478	NRSA63J-201X	MG RESISTOR	200Ω 1/16W J	
R479	NRSA63J-102X	MG RESISTOR	1kΩ 1/16W J	
R482	NRSA63J-103X	MG RESISTOR	10kΩ 1/16W J	
R483	NRSA63J-103X	MG RESISTOR	10kΩ 1/16W J	
R484	NRSA63J-103X	MG RESISTOR	10kΩ 1/16W J	
R532	NRSA63J-153X	MG RESISTOR	15kΩ 1/16W J	
R533	NRSA63J-153X	MG RESISTOR	15kΩ 1/16W J	
RA401	NRZ0065-472X	MG RESISTOR	4.7kΩ	

L401	NQL38DK-330X	COIL	33uH K	
L531	NQR0536-001X	CHOKE COIL		

△ Symbol No.	Part No.	Part Name	Description	Local	△ Symbol No.	Part No.	Part Name	Description	Local
D301	UDZW11B-X	Z DIODE			C170	QEKJ1CM-106Z	E CAPACITOR	10uF 16V M	
D302	1SS355W-X	DIODE C.M			C171	QTE1H57-225Z	E CAPACITOR	2.2uF 50V	
D305	CRS03-W	SB DIODE			C172	QTE1H55-225Z	E CAPACITOR	2.2uF 50V	
D308	CRS03-W	SB DIODE			C174	QEKJ1HM-225Z	E CAPACITOR	2.2uF 50V M	
D324	1SS355W-X	DIODE C.M			C176	QEKJ1HM-225Z	E CAPACITOR	2.2uF 50V M	
D334	1SS355W-X	DIODE C.M			C177	QEKJ1HM-225Z	E CAPACITOR	2.2uF 50V M	
D344	1SS355W-X	DIODE C.M			C181	QTE1H57-225Z	E CAPACITOR	2.2uF 50V	
D354	1SS355W-X	DIODE C.M			C182	QTE1H55-225Z	E CAPACITOR	2.2uF 50V	
D401	CRS03-W	SB DIODE			C184	QEKJ1HM-225Z	E CAPACITOR	2.2uF 50V M	
D421	1SS355W-X	DIODE C.M			C186	QEKJ1HM-225Z	E CAPACITOR	2.2uF 50V M	
D431	1SS355W-X	DIODE C.M			C187	QEKJ1HM-225Z	E CAPACITOR	2.2uF 50V M	
D472	1A3G-T1	SI DIODE			C191	QEKJ0JM-476Z	E CAPACITOR	47uF 6.3V M	
D701	UDZW6.2B-X	DIODE			C267	QEKJ1CM-106Z	E CAPACITOR	10uF 16V M	
D702	UDZW6.2B-X	DIODE			C301	QEKJ1CM-476Z	E CAPACITOR	47uF 16V M	
D703	UDZW6.2B-X	DIODE			C302	NCB31HK-103X	C CAPACITOR	0.01uF 50V K	
D704	UDZW6.2B-X	DIODE			C311	NBE21CM-475X	TA E CAPACITOR	4.7uF 16V M	
D705	UDZW6.2B-X	DIODE			C312	QTE1C57-476Z	E CAPACITOR	47uF 16V	
D706	UDZW6.2B-X	DIODE			C313	NCB31HK-103X	C CAPACITOR	0.01uF 50V K	
D707	UDZW6.2B-X	DIODE			C314	QEKJ1HM-225Z	E CAPACITOR	2.2uF 50V M	
D709	UDZW6.2B-X	DIODE			C315	QEKJ1CM-226Z	E CAPACITOR	22uF 16V M	
D710	UDZW6.2B-X	DIODE			C316	NCB31HK-103X	C CAPACITOR	0.01uF 50V K	
D711	UDZW6.2B-X	DIODE			C326	QEKJ1EM-475Z	E CAPACITOR	4.7uF 25V M	
D716	UDZW6.2B-X	DIODE			C328	NFV81CM-105X	MF CAPACITOR	1uF 16V M	
D717	UDZW6.2B-X	DIODE			C329	NCS31HJ-101X	C CAPACITOR	100pF 50V J	
D719	SLR-56VC3F	DIODE C.M			C331	NCB31HK-223X	C CAPACITOR	0.022uF 50V K	
D731	1SS355W-X	DIODE C.M			C336	QEKJ1EM-475Z	E CAPACITOR	4.7uF 25V M	
D732	UDZW6.2B-X	DIODE			C338	NFV81CM-105X	MF CAPACITOR	1uF 16V M	
D781	MC2836-X	DIODE			C339	NCS31HJ-101X	C CAPACITOR	100pF 50V J	
D782	MC2836-X	DIODE			C346	QEKJ1EM-475Z	E CAPACITOR	4.7uF 25V M	
D783	UDZW11B-X	Z DIODE			C348	NFV81CM-105X	MF CAPACITOR	1uF 16V M	
D784	UDZW11B-X	Z DIODE			C349	NCS31HJ-101X	C CAPACITOR	100pF 50V J	
D785	1SS355W-X	DIODE C.M			C356	QEKJ1EM-475Z	E CAPACITOR	4.7uF 25V M	
D801	CRS03-W	SB DIODE			C358	NFV81CM-105X	MF CAPACITOR	1uF 16V M	
D821	UDZW12B-X	Z DIODE			C359	NCS31HJ-101X	C CAPACITOR	100pF 50V J	
D831	UDZW6.2B-X	DIODE			C401	NCS31HJ-220X	C CAPACITOR	22pF 50V J	
D885	1SS355W-X	DIODE C.M			C402	NCB31HK-103X	C CAPACITOR	0.01uF 50V K	
D891	MC2836-X	DIODE			C403	NCB31HK-103X	C CAPACITOR	0.01uF 50V K	
△ D901	1N5401-F64	SI DIODE			C404	QEKJ0JM-107Z	E CAPACITOR	100uF 6.3V M	
D903	1SS355W-X	DIODE C.M			C405	NCS31HJ-220X	C CAPACITOR	22pF 50V J	
D906	UDZW5.1B-X	SI DIODE			C406	NCB31HK-103X	C CAPACITOR	0.01uF 50V K	
D921	1A3G-T1	SI DIODE			C411	QEKJ1AM-227Z	E CAPACITOR	220uF 10V M	
D922	RB051L-40-X	SB DIODE			C412	NCB31EK-473X	C CAPACITOR	0.047uF 25V K	
D923	CRS03-W	SB DIODE			C413	QCZ0202-155Z	C CAPACITOR	1.5uF 25V Z	
D924	CRS03-W	SB DIODE			C414	QERF0JM-337Z	E CAPACITOR	330uF 6.3V M	
D925	CRS03-W	SB DIODE			C415	NCS31HJ-101X	C CAPACITOR	100pF 50V J	
D981	CRS03-W	SB DIODE			C416	NCB31HK-103X	C CAPACITOR	0.01uF 50V K	
D982	CRS03-W	SB DIODE			C423	QEKJ1AM-227Z	E CAPACITOR	220uF 10V M	
					C424	NCS31HJ-151X	C CAPACITOR	150pF 50V J	
C1	NCB31HK-104X	C CAPACITOR	0.1uF 50V K		C425	NCS31HJ-101X	C CAPACITOR	100pF 50V J	
C4	NCB31EK-104X	C CAPACITOR	0.1uF 25V K		C426	NCS31HJ-221X	C CAPACITOR	220pF 50V J	
C5	QEKJ1CM-476Z	E CAPACITOR	47uF 16V M		C427	QEKJ1EM-475Z	E CAPACITOR	4.7uF 25V M	
C6	NCB31EK-104X	C CAPACITOR	0.1uF 25V K		C428	QEKJ1EM-475Z	E CAPACITOR	4.7uF 25V M	
C7	QEKJ1AM-227Z	E CAPACITOR	220uF 10V M		C433	QEKJ1AM-227Z	E CAPACITOR	220uF 10V M	
C8	NCB31HK-104X	C CAPACITOR	0.1uF 50V K		C434	NCS31HJ-151X	C CAPACITOR	150pF 50V J	
C9	QEKJ1HM-224Z	E CAPACITOR	0.22uF 50V M		C435	NCS31HJ-101X	C CAPACITOR	100pF 50V J	
C12	NDC31HJ-2R0X	C CAPACITOR	2pF 50V J		C436	NCS31HJ-221X	C CAPACITOR	220pF 50V J	
C14	NDC31HJ-5R0X	C CAPACITOR	5pF 50V J		C437	QEKJ1EM-475Z	E CAPACITOR	4.7uF 25V M	
C71	QEKJ1CM-106Z	E CAPACITOR	10uF 16V M		C438	QEKJ1EM-475Z	E CAPACITOR	4.7uF 25V M	
C72	NCB31HK-331X	C CAPACITOR	330pF 50V K		C441	QEKJ0JM-476Z	E CAPACITOR	47uF 6.3V M	
C73	NCB31HK-103X	C CAPACITOR	0.01uF 50V K		C451	QEKJ0JM-476Z	E CAPACITOR	47uF 6.3V M	
C74	NCS31HJ-561X	C CAPACITOR	560pF 50V J		C461	QEKJ1CM-226Z	E CAPACITOR	22uF 16V M	
C75	QEKJ0JM-476Z	E CAPACITOR	47uF 6.3V M		C462	QEKJ1CM-476Z	E CAPACITOR	47uF 16V M	
C76	NCB31HK-103X	C CAPACITOR	0.01uF 50V K		C463	NCF31CZ-104X	C CAPACITOR	0.1uF 16V Z	
C77	NDC31HJ-330X	C CAPACITOR	33pF 50V J		C464	QEKJ1CM-476Z	E CAPACITOR	47uF 16V M	
C78	NDC31HJ-330X	C CAPACITOR	33pF 50V J		C465	NCF31CZ-104X	C CAPACITOR	0.1uF 16V Z	
C83	QTE1E57-475Z	E CAPACITOR	4.7uF 25V		C474	QEKJ1AM-227Z	E CAPACITOR	220uF 10V M	
C93	QTE1E57-475Z	E CAPACITOR	4.7uF 25V		C475	NCB31HK-102X	C CAPACITOR	1000pF 50V K	
C141	NCB31HK-471X	C CAPACITOR	470pF 50V K		C476	QEKJ1AM-227Z	E CAPACITOR	220uF 10V M	
C151	NCB31HK-471X	C CAPACITOR	470pF 50V K		C477	QEKJ1AM-107Z	E CAPACITOR	100uF 10V M	
C155	NCB31AK-474X	C CAPACITOR	0.47uF 10V K		C478	NCB31CK-104X	C CAPACITOR	0.1uF 16V K	
C161	QTE1A57-107Z	E CAPACITOR	100uF 10V		C479	QEKJ1AM-107Z	E CAPACITOR	100uF 10V M	
C162	NCB31CK-473X	C CAPACITOR	0.047uF 16V K		C480	QEKJ1AM-227Z	E CAPACITOR	220uF 10V M	
C163	NFV81CM-105X	MF CAPACITOR	1uF 16V M		C701	NCB31HK-103X	C CAPACITOR	0.01uF 50V K	
C164	NFV81CM-105X	MF CAPACITOR	1uF 16V M		C702	NCB31CK-104X	C CAPACITOR	0.1uF 16V K	
C165	NFV81CM-105X	MF CAPACITOR	1uF 16V M		C721	NCB31EK-473X	C CAPACITOR	0.047uF 25V K	
C166	QTE1C57-106Z	E CAPACITOR	10uF 16V		C722	QEKJ1AM-227Z	E CAPACITOR	220uF 10V M	
C168	QEKJ1HM-225Z	E CAPACITOR	2.2uF 50V M		C723	NCS31HJ-471X	C CAPACITOR	470pF 50V J	
C169	NCB31HK-103X	C CAPACITOR	0.01uF 50V K		C724	NCS31HJ-471X	C CAPACITOR	470pF 50V J	

△ Symbol No.	Part No.	Part Name	Description	Local
C725	QEKJ1AM-227Z	E CAPACITOR	220uF 10V M	
C726	NDC31HJ-8R0X	C CAPACITOR	8pF 50V J	
C727	NDC31HJ-270X	C CAPACITOR	27pF 50V J	
C728	NDC31HJ-270X	C CAPACITOR	27pF 50V J	
C729	NDC31HJ-220X	C CAPACITOR	22pF 50V J	
C730	QEKJ0JM-476Z	E CAPACITOR	47uF 6.3V M	
C731	NCB31CK-103X	C CAPACITOR	0.01uF 16V K	
C732	QEKJ1AM-227Z	E CAPACITOR	220uF 10V M	
C733	NCS31HJ-471X	C CAPACITOR	470pF 50V J	
C781	QEKJ0JM-476Z	E CAPACITOR	47uF 6.3V M	
C782	QEKJ0JM-476Z	E CAPACITOR	47uF 6.3V M	
C783	QEKJ1CM-476Z	E CAPACITOR	47uF 16V M	
C784	QEKJ1CM-476Z	E CAPACITOR	47uF 16V M	
C802	NCS31HJ-220X	C CAPACITOR	22pF 50V J	
C803	NCB31CK-473X	C CAPACITOR	0.047uF 16V K	
C804	NCS31HJ-220X	C CAPACITOR	22pF 50V J	
C821	QEKJ1CM-106Z	E CAPACITOR	10uF 16V M	
C822	QEKJ1CM-106Z	E CAPACITOR	10uF 16V M	
C823	NCB31HK-103X	C CAPACITOR	0.01uF 50V K	
C831	NCS31HJ-101X	C CAPACITOR	100pF 50V J	
C881	QEKJ1CM-226Z	E CAPACITOR	22uF 16V M	
C885	QEKJ1CM-106Z	E CAPACITOR	10uF 16V M	
C892	NCB31CK-104X	C CAPACITOR	0.1uF 16V K	
C901	QEZ0722-338	E CAPACITOR	3300uF	
C902	QEKJ1HM-225Z	E CAPACITOR	2.2uF 50V M	
C903	QEKJ1CM-106Z	E CAPACITOR	10uF 16V M	
C905	QEKJ1AM-107Z	E CAPACITOR	100uF 10V M	
C906	NCF31CZ-104X	C CAPACITOR	0.1uF 16V Z	
C907	NCB31HK-103X	C CAPACITOR	0.01uF 50V K	
C908	QEKJ1AM-227Z	E CAPACITOR	220uF 10V M	
C909	QEKJ1CM-107Z	E CAPACITOR	100uF 16V M	
C910	NCB31HK-102X	C CAPACITOR	1000pF 50V K	
C911	NCB31HK-102X	C CAPACITOR	1000pF 50V K	
C912	QEKJ1CM-226Z	E CAPACITOR	22uF 16V M	
C913	NCB31EK-473X	C CAPACITOR	0.047uF 25V K	
C918	QEKJ1AM-227Z	E CAPACITOR	220uF 10V M	
C919	NCB31HK-103X	C CAPACITOR	0.01uF 50V K	
C921	QEKJ1AM-227Z	E CAPACITOR	220uF 10V M	
C922	QEKJ1AM-107Z	E CAPACITOR	100uF 10V M	
C925	QEKJ1AM-227Z	E CAPACITOR	220uF 10V M	
C926	QEXF1AM-476Z	E CAPACITOR	47uF 10V M	
C927	QEZ0595-477Z	E CAPACITOR	470uF	
C928	NCF31CZ-104X	C CAPACITOR	0.1uF 16V Z	
C929	NCB31HK-472X	C CAPACITOR	4700pF 50V K	
C930	NCF31CZ-104X	C CAPACITOR	0.1uF 16V Z	
C961	QEKJ1AM-227Z	E CAPACITOR	220uF 10V M	
C962	QEKJ1AM-227Z	E CAPACITOR	220uF 10V M	
C963	QEKJ1AM-227Z	E CAPACITOR	220uF 10V M	
C964	QEKJ1AM-227Z	E CAPACITOR	220uF 10V M	
C965	QEKJ1AM-227Z	E CAPACITOR	220uF 10V M	
C966	NCB31CK-104X	C CAPACITOR	0.1uF 16V K	
C967	NCB31CK-104X	C CAPACITOR	0.1uF 16V K	
C968	NCB31EK-473X	C CAPACITOR	0.047uF 25V K	
C969	NCB31EK-473X	C CAPACITOR	0.047uF 25V K	
C970	QEKJ1CM-107Z	E CAPACITOR	100uF 16V M	
C971	NCB31EK-473X	C CAPACITOR	0.047uF 25V K	
C981	NCB31CK-104X	C CAPACITOR	0.1uF 16V K	
C999	NRSA63J-0R0X	MG RESISTOR	0Ω 1/16W J	
R2	NRSA63J-102X	MG RESISTOR	1kΩ 1/16W J	
R3	NRSA63J-102X	MG RESISTOR	1kΩ 1/16W J	
R5	NRSA63J-330X	MG RESISTOR	33Ω 1/16W J	
R6	NRSA63J-330X	MG RESISTOR	33Ω 1/16W J	
R7	NRSA63J-103X	MG RESISTOR	10kΩ 1/16W J	
R8	NRSA63J-332X	MG RESISTOR	3.3kΩ 1/16W J	
R9	NRSA63J-473X	MG RESISTOR	47kΩ 1/16W J	
R10	NRSA63J-472X	MG RESISTOR	4.7kΩ 1/16W J	
R11	NRSA63J-472X	MG RESISTOR	4.7kΩ 1/16W J	
R12	NRS181J-4R7X	MG RESISTOR	4.7Ω 1/8W J	
R13	NRS181J-6R8X	MG RESISTOR	6.8Ω 1/8W J	
R14	NRSA63J-0R0X	MG RESISTOR	0Ω 1/16W J	
R71	NRSA63J-101X	MG RESISTOR	100Ω 1/16W J	
R72	NRSA63J-202X	MG RESISTOR	2kΩ 1/16W J	
R73	NRSA63J-103X	MG RESISTOR	10kΩ 1/16W J	
R81	NRSA63J-223X	MG RESISTOR	22kΩ 1/16W J	
R82	NRSA63J-822X	MG RESISTOR	8.2kΩ 1/16W J	
R91	NRSA63J-223X	MG RESISTOR	22kΩ 1/16W J	
R92	NRSA63J-822X	MG RESISTOR	8.2kΩ 1/16W J	

△ Symbol No.	Part No.	Part Name	Description	Local
R141	NRSA63J-473X	MG RESISTOR	47kΩ 1/16W J	
R142	NRSA63J-0R0X	MG RESISTOR	0Ω 1/16W J	
R151	NRSA63J-473X	MG RESISTOR	47kΩ 1/16W J	
R152	NRSA63J-0R0X	MG RESISTOR	0Ω 1/16W J	
R155	NRSA63J-471X	MG RESISTOR	470Ω 1/16W J	
R161	NRSA63J-0R0X	MG RESISTOR	0Ω 1/16W J	
R162	NRSA63J-473X	MG RESISTOR	47kΩ 1/16W J	
R163	NRSA63J-473X	MG RESISTOR	47kΩ 1/16W J	
R164	NRSA63J-473X	MG RESISTOR	47kΩ 1/16W J	
R165	NRSA63J-473X	MG RESISTOR	47kΩ 1/16W J	
R166	NRSA63J-221X	MG RESISTOR	220Ω 1/16W J	
R171	NRSA63J-222X	MG RESISTOR	2.2kΩ 1/16W J	
R172	NRSA63J-222X	MG RESISTOR	2.2kΩ 1/16W J	
R173	NRSA63J-0R0X	MG RESISTOR	0Ω 1/16W J	
R191	NRSA63J-472X	MG RESISTOR	4.7kΩ 1/16W J	
R192	NRSA63J-821X	MG RESISTOR	820Ω 1/16W J	
R193	NRSA63J-101X	MG RESISTOR	100Ω 1/16W J	
R194	NRSA63J-101X	MG RESISTOR	100Ω 1/16W J	
R197	NRSA63J-471X	MG RESISTOR	470Ω 1/16W J	
R302	NRSA63J-0R0X	MG RESISTOR	0Ω 1/16W J	
R304	NRSA63J-473X	MG RESISTOR	47kΩ 1/16W J	
R305	NRSA63J-103X	MG RESISTOR	10kΩ 1/16W J	
R306	NRSA63J-273X	MG RESISTOR	27kΩ 1/16W J	
R307	NRSA63J-100X	MG RESISTOR	10Ω 1/16W J	
R308	NRSA63J-222X	MG RESISTOR	2.2kΩ 1/16W J	
R323	NRSA63J-473X	MG RESISTOR	47kΩ 1/16W J	
R324	NRSA63J-222X	MG RESISTOR	2.2kΩ 1/16W J	
R325	NRSA63J-102X	MG RESISTOR	1kΩ 1/16W J	
R326	NRSA63J-101X	MG RESISTOR	100Ω 1/16W J	
R327	NRSA63J-0R0X	MG RESISTOR	0Ω 1/16W J	
R329	NRSA63J-102X	MG RESISTOR	1kΩ 1/16W J	
R330	NRSA63J-102X	MG RESISTOR	1kΩ 1/16W J	
R333	NRSA63J-473X	MG RESISTOR	47kΩ 1/16W J	
R334	NRSA63J-222X	MG RESISTOR	2.2kΩ 1/16W J	
R335	NRSA63J-102X	MG RESISTOR	1kΩ 1/16W J	
R336	NRSA63J-101X	MG RESISTOR	100Ω 1/16W J	
R337	NRSA63J-0R0X	MG RESISTOR	0Ω 1/16W J	
R339	NRSA63J-102X	MG RESISTOR	1kΩ 1/16W J	
R340	NRSA63J-102X	MG RESISTOR	1kΩ 1/16W J	
R343	NRSA63J-473X	MG RESISTOR	47kΩ 1/16W J	
R344	NRSA63J-222X	MG RESISTOR	2.2kΩ 1/16W J	
R345	NRSA63J-102X	MG RESISTOR	1kΩ 1/16W J	
R346	NRSA63J-101X	MG RESISTOR	100Ω 1/16W J	
R347	NRSA63J-0R0X	MG RESISTOR	0Ω 1/16W J	
R349	NRSA63J-102X	MG RESISTOR	1kΩ 1/16W J	
R350	NRSA63J-102X	MG RESISTOR	1kΩ 1/16W J	
R353	NRSA63J-473X	MG RESISTOR	47kΩ 1/16W J	
R354	NRSA63J-222X	MG RESISTOR	2.2kΩ 1/16W J	
R355	NRSA63J-102X	MG RESISTOR	1kΩ 1/16W J	
R356	NRSA63J-101X	MG RESISTOR	100Ω 1/16W J	
R357	NRSA63J-0R0X	MG RESISTOR	0Ω 1/16W J	
R359	NRSA63J-102X	MG RESISTOR	1kΩ 1/16W J	
R360	NRSA63J-102X	MG RESISTOR	1kΩ 1/16W J	
R371	NRSA63J-0R0X	MG RESISTOR	0Ω 1/16W J	
R372	NRSA63J-0R0X	MG RESISTOR	0Ω 1/16W J	
R381	NRSA63J-0R0X	MG RESISTOR	0Ω 1/16W J	
R382	NRSA63J-0R0X	MG RESISTOR	0Ω 1/16W J	
R401	NRSA63J-471X	MG RESISTOR	470Ω 1/16W J	
R402	NRSA63J-100X	MG RESISTOR	10Ω 1/16W J	
R403	NRSA63J-471X	MG RESISTOR	470Ω 1/16W J	
R404	NRSA63J-2R2X	MG RESISTOR	2.2Ω 1/16W J	
R410	NRS181J-0R0X	MG RESISTOR	0Ω 1/8W J	
R411	NRSA63J-0R0X	MG RESISTOR	0Ω 1/16W J	
R412	NRSA63D-682X	MG RESISTOR	6.8kΩ 1/16W D	
R413	NRSA63J-100X	MG RESISTOR	10Ω 1/16W J	
R414	NRSA63J-102X	MG RESISTOR	1kΩ 1/16W J	
R415	NRSA63J-750X	MG RESISTOR	75Ω 1/16W J	
R416	NRSA63J-0R0X	MG RESISTOR	0Ω 1/16W J	
R417	NRSA63D-181X	MG RESISTOR	180Ω 1/16W D	
R421	NRSA63J-220X	MG RESISTOR	22Ω 1/16W J	
R422	NRSA63J-222X	MG RESISTOR	2.2kΩ 1/16W J	
R423	NRSA63J-222X	MG RESISTOR	2.2kΩ 1/16W J	
R424	NRSA63J-390X	MG RESISTOR	39Ω 1/16W J	
R425	NRSA63J-102X	MG RESISTOR	1kΩ 1/16W J	
R426	NRSA63J-183X	MG RESISTOR	18kΩ 1/16W J	
R427	NRSA63J-682X	MG RESISTOR	6.8kΩ 1/16W J	
R428	NRSA63J-472X	MG RESISTOR	4.7kΩ 1/16W J	
R429	NRSA63J-104X	MG RESISTOR	100kΩ 1/16W J	

△ Symbol No.	Part No.	Part Name	Description	Local	△ Symbol No.	Part No.	Part Name	Description	Local
R431	NRSA63J-220X	MG RESISTOR	22Ω 1/16W J		R771	NRSA63J-392X	MG RESISTOR	3.9kΩ 1/16W J	
R432	NRSA63J-222X	MG RESISTOR	2.2kΩ 1/16W J		R772	NRSA63J-221X	MG RESISTOR	220Ω 1/16W J	
R433	NRSA63J-222X	MG RESISTOR	2.2kΩ 1/16W J		R773	NRSA63J-221X	MG RESISTOR	220Ω 1/16W J	
R434	NRSA63J-390X	MG RESISTOR	39Ω 1/16W J		R774	NRSA63J-472X	MG RESISTOR	4.7kΩ 1/16W J	
R435	NRSA63J-102X	MG RESISTOR	1kΩ 1/16W J		R775	NRSA63J-472X	MG RESISTOR	4.7kΩ 1/16W J	
R436	NRSA63J-183X	MG RESISTOR	18kΩ 1/16W J		R776	NRSA63J-472X	MG RESISTOR	4.7kΩ 1/16W J	
R437	NRSA63J-682X	MG RESISTOR	6.8kΩ 1/16W J		R777	NRSA63J-102X	MG RESISTOR	1kΩ 1/16W J	
R438	NRSA63J-472X	MG RESISTOR	4.7kΩ 1/16W J		R778	NRSA63J-103X	MG RESISTOR	10kΩ 1/16W J	
R439	NRSA63J-104X	MG RESISTOR	100kΩ 1/16W J		R779	NRSA63J-222X	MG RESISTOR	2.2kΩ 1/16W J	
R441	NRSA63J-223X	MG RESISTOR	22kΩ 1/16W J		R780	NRSA63J-222X	MG RESISTOR	2.2kΩ 1/16W J	
R442	NRSA63J-223X	MG RESISTOR	22kΩ 1/16W J		R781	NRSA63J-471X	MG RESISTOR	470Ω 1/16W J	
R451	NRSA63J-223X	MG RESISTOR	22kΩ 1/16W J		R782	NRSA63J-471X	MG RESISTOR	470Ω 1/16W J	
R452	NRSA63J-223X	MG RESISTOR	22kΩ 1/16W J		R799	NRSA63J-222X	MG RESISTOR	2.2kΩ 1/16W J	
R461	NRSA63J-100X	MG RESISTOR	10Ω 1/16W J		R801	NRSA63J-101X	MG RESISTOR	100Ω 1/16W J	
R462	NRSA63J-100X	MG RESISTOR	10Ω 1/16W J		R802	NRSA63J-473X	MG RESISTOR	47kΩ 1/16W J	
R463	NRSA63J-100X	MG RESISTOR	10Ω 1/16W J		R803	NRSA63J-223X	MG RESISTOR	22kΩ 1/16W J	
R471	NRSA63J-101X	MG RESISTOR	100Ω 1/16W J		R804	NRSA63J-104X	MG RESISTOR	100kΩ 1/16W J	
R474	NRSA63J-101X	MG RESISTOR	100Ω 1/16W J		R805	NRSA63J-103X	MG RESISTOR	10kΩ 1/16W J	
R475	NRSA63J-101X	MG RESISTOR	100Ω 1/16W J		R806	NRSA63J-104X	MG RESISTOR	100kΩ 1/16W J	
R479	NRSA63J-0R0X	MG RESISTOR	0Ω 1/16W J		R807	NRSA63J-331X	MG RESISTOR	330Ω 1/16W J	
R480	NRSA63J-0R0X	MG RESISTOR	0Ω 1/16W J		R808	NRSA63J-223X	MG RESISTOR	22kΩ 1/16W J	
R481	NRSA63J-103X	MG RESISTOR	10kΩ 1/16W J		R809	NRSA63J-101X	MG RESISTOR	100Ω 1/16W J	
R482	NRSA63J-473X	MG RESISTOR	47kΩ 1/16W J		R810	NRSA63J-473X	MG RESISTOR	47kΩ 1/16W J	
R483	NRSA63J-102X	MG RESISTOR	1kΩ 1/16W J		R811	NRSA63J-0R0X	MG RESISTOR	0Ω 1/16W J	
R484	NRSA63J-103X	MG RESISTOR	10kΩ 1/16W J		R821	NRSA63J-100X	MG RESISTOR	10Ω 1/16W J	
R704	NRSA63J-271X	MG RESISTOR	270Ω 1/16W J		R822	NRSA63J-471X	MG RESISTOR	470Ω 1/16W J	
R705	NRSA63J-271X	MG RESISTOR	270Ω 1/16W J		R825	NRSA63J-223X	MG RESISTOR	22kΩ 1/16W J	
R706	NRSA63J-103X	MG RESISTOR	10kΩ 1/16W J		R831	NRSA63J-0R0X	MG RESISTOR	0Ω 1/16W J	
R707	NRSA63J-103X	MG RESISTOR	10kΩ 1/16W J		R832	NRSA63J-271X	MG RESISTOR	270Ω 1/16W J	
R708	NRS181J-561X	MG RESISTOR	560Ω 1/8W J		R841	NRSA63J-473X	MG RESISTOR	47kΩ 1/16W J	
R709	NRSA63J-562X	MG RESISTOR	5.6kΩ 1/16W J		R844	NRSA63J-473X	MG RESISTOR	47kΩ 1/16W J	
R710	NRSA63J-102X	MG RESISTOR	1kΩ 1/16W J		R845	NRSA63J-222X	MG RESISTOR	2.2kΩ 1/16W J	
R711	NRSA63J-103X	MG RESISTOR	10kΩ 1/16W J		R846	NRSA63J-392X	MG RESISTOR	3.9kΩ 1/16W J	
R712	NRSA63J-104X	MG RESISTOR	100kΩ 1/16W J		R847	NRSA63J-392X	MG RESISTOR	3.9kΩ 1/16W J	
R713	NRSA63J-103X	MG RESISTOR	10kΩ 1/16W J		R848	NRSA63J-331X	MG RESISTOR	330Ω 1/16W J	
R714	NRSA63J-104X	MG RESISTOR	100kΩ 1/16W J		R857	NRS181J-0R0X	MG RESISTOR	0Ω 1/8W J	
R715	NRSA63J-271X	MG RESISTOR	270Ω 1/16W J		R859	NRSA63J-222X	MG RESISTOR	2.2kΩ 1/16W J	
R716	NRSA63J-271X	MG RESISTOR	270Ω 1/16W J		R860	NRS181J-561X	MG RESISTOR	560Ω 1/8W J	
R717	NRSA63J-331X	MG RESISTOR	330Ω 1/16W J		R881	NRSA63J-473X	MG RESISTOR	47kΩ 1/16W J	
R718	NRSA63J-103X	MG RESISTOR	10kΩ 1/16W J		R882	NRSA63J-103X	MG RESISTOR	10kΩ 1/16W J	
R719	NRSA63J-103X	MG RESISTOR	10kΩ 1/16W J		R883	NRSA63J-104X	MG RESISTOR	100kΩ 1/16W J	
R720	NRSA63J-0R0X	MG RESISTOR	0Ω 1/16W J		R885	NRSA63J-473X	MG RESISTOR	47kΩ 1/16W J	
R721	NRSA63J-222X	MG RESISTOR	2.2kΩ 1/16W J		R886	NRSA63J-472X	MG RESISTOR	4.7kΩ 1/16W J	
R722	NRSA63J-222X	MG RESISTOR	2.2kΩ 1/16W J		R887	NRSA63J-103X	MG RESISTOR	10kΩ 1/16W J	
R725	NRSA63J-473X	MG RESISTOR	47kΩ 1/16W J		R888	NRSA63J-0R0X	MG RESISTOR	0Ω 1/16W J	
R726	NRSA63J-103X	MG RESISTOR	10kΩ 1/16W J		R889	NRSA63J-0R0X	MG RESISTOR	0Ω 1/16W J	
R727	NRSA63J-562X	MG RESISTOR	5.6kΩ 1/16W J		R891	NRSA63J-473X	MG RESISTOR	47kΩ 1/16W J	
R728	NRSA63J-472X	MG RESISTOR	4.7kΩ 1/16W J		R892	NRSA63J-102X	MG RESISTOR	1kΩ 1/16W J	
R729	NRSA63J-0R0X	MG RESISTOR	0Ω 1/16W J		R894	NRSA63J-0R0X	MG RESISTOR	0Ω 1/16W J	
R730	NRSA63J-222X	MG RESISTOR	2.2kΩ 1/16W J		R901	QRE142J-102X	C RESISTOR	1kΩ 1/4W J	
R733	NRSA63J-103X	MG RESISTOR	10kΩ 1/16W J		R902	NRSA63J-912X	MG RESISTOR	9.1kΩ 1/16W J	
R735	NRSA63J-0R0X	MG RESISTOR	0Ω 1/16W J		R903	NRSA63J-472X	MG RESISTOR	47kΩ 1/16W J	
R738	NRSA63J-472X	MG RESISTOR	4.7kΩ 1/16W J		R909	NRSA63J-473X	MG RESISTOR	47kΩ 1/16W J	
R739	NRSA63J-472X	MG RESISTOR	4.7kΩ 1/16W J		R910	NRSA63J-222X	MG RESISTOR	2.2kΩ 1/16W J	
R740	NRSA63J-222X	MG RESISTOR	2.2kΩ 1/16W J		R914	NRS181J-221X	MG RESISTOR	220Ω 1/8W J	
R744	NRSA63J-821X	MG RESISTOR	820Ω 1/16W J		R921	NRS181J-0R0X	MG RESISTOR	0Ω 1/8W J	
R745	NRSA63J-106X	MG RESISTOR	10MΩ 1/16W J		R923	NRSA63J-393X	MG RESISTOR	39kΩ 1/16W J	
R746	NRSA63J-473X	MG RESISTOR	47kΩ 1/16W J		R924	NRSA63J-103X	MG RESISTOR	10kΩ 1/16W J	
R747	NRSA63J-473X	MG RESISTOR	47kΩ 1/16W J		R925	NRSA63J-154X	MG RESISTOR	150kΩ 1/16W J	
R750	NRSA63J-473X	MG RESISTOR	47kΩ 1/16W J		R926	NRSA63D-304X	MG RESISTOR	300kΩ 1/16W J	
R751	NRSA63J-333X	MG RESISTOR	33kΩ 1/16W J		R927	NRSA63J-0R0X	MG RESISTOR	0Ω 1/16W J	
R752	NRSA63J-223X	MG RESISTOR	22kΩ 1/16W J		R928	NRSA63J-473X	MG RESISTOR	47kΩ 1/16W J	
R753	NRSA63J-222X	MG RESISTOR	2.2kΩ 1/16W J		R961	NRS181J-0R0X	MG RESISTOR	0Ω 1/8W J	
R754	NRSA63J-222X	MG RESISTOR	2.2kΩ 1/16W J		R962	NRSA63J-101X	MG RESISTOR	100Ω 1/16W J	
R755	NRSA63J-103X	MG RESISTOR	10kΩ 1/16W J		R967	NRS181J-0R0X	MG RESISTOR	0Ω 1/8W J	
R756	NRSA63J-222X	MG RESISTOR	2.2kΩ 1/16W J		R968	NRS181J-0R0X	MG RESISTOR	0Ω 1/8W J	
R757	NRSA63J-473X	MG RESISTOR	47kΩ 1/16W J		R969	NRS181J-0R0X	MG RESISTOR	0Ω 1/8W J	
R758	NRSA63J-224X	MG RESISTOR	220kΩ 1/16W J		R973	NRSA63J-223X	MG RESISTOR	22kΩ 1/16W J	
R759	NRSA63J-224X	MG RESISTOR	220kΩ 1/16W J		R974	NRSA63J-223X	MG RESISTOR	22kΩ 1/16W J	
R760	NRSA63J-472X	MG RESISTOR	4.7kΩ 1/16W J		R975	NRSA63J-223X	MG RESISTOR	22kΩ 1/16W J	
R761	NRSA63J-472X	MG RESISTOR	4.7kΩ 1/16W J		R976	NRSA63J-563X	MG RESISTOR	56kΩ 1/16W J	
R762	NRSA63J-472X	MG RESISTOR	4.7kΩ 1/16W J		R977	NRSA63J-183X	MG RESISTOR	18kΩ 1/16W J	
R763	NRSA63J-103X	MG RESISTOR	10kΩ 1/16W J		R981	NRS181J-222X	MG RESISTOR	2.2kΩ 1/8W J	
R765	NRSA63J-103X	MG RESISTOR	10kΩ 1/16W J		R982	NRS181J-222X	MG RESISTOR	2.2kΩ 1/8W J	
R766	NRSA63J-0R0X	MG RESISTOR	0Ω 1/16W J		RA721	NRZ0065-222X	NET RESISTOR	2.2kΩ	
R767	NRSA63J-0R0X	MG RESISTOR	0Ω 1/16W J		RA722	NRZ0065-222X	NET RESISTOR	2.2kΩ	
R768	NRSA63J-0R0X	MG RESISTOR	0Ω 1/16W J		RA723	NRZ0065-103X	NET RESISTOR	10kΩ 1/16W J	
R769	NRSA63J-0R0X	MG RESISTOR	0Ω 1/16W J						

Symbol No.	Part No.	Part Name	Description	Local
L1	NQL334J-4R7X	INDUCTOR CM	4.7uH J	
L2	NQL093K-R22X	COIL	0.22uH K	
L401	NQR0007-002X	FERRITE BEADS		
L411	NQL114K-470X	COIL	47uH K	
L421	NQR0007-002X	FERRITE BEADS		
L430	NQR0007-002X	FERRITE BEADS		
L431	NQR0007-002X	FERRITE BEADS		
L721	NQL38DK-330X	COIL	33uH K	
L722	NQL114K-470X	COIL	47uH K	
L901	QQR1378-002	COIL		
L902	NQL56CK-220X	COIL	22uH K	
L924	NQL56CK-220X	COIL	22uH K	
L925	NQL71EM-330X	COIL	33uH M	

CN141	QGA2006C1-04	CONNECTOR	W-B (1-4)	
CN411	QGA2501F1-02	CONNECTOR	W-B (1-2)	
CN421	QGA2006C1-04	CONNECTOR	W-B (1-4)	
CN471	QGB1004J2-16X	CONNECTOR	B-B (1-16)	
CN701	QNZ0605-001	CAR CONNECTOR		
CN702	WJK0224-001A-E	2PIN CABLE		
CN821	QGA2001C1-02	CONNECTOR	W-B (1-2)	
CN831	QGA2006C1-02	CONNECTOR	W-B (1-2)	
CN901	QNZ0607-001	CAR CONNECTOR		
CN961	QGB2027M3-30S	CONNECTOR	B-B (1-30)	
CN962	QGF0534F3-45X	CONNECTOR	FFC/FPC (1-45)	
CN963	QGB2027L9-30X	CONNECTOR	B-B (1-30)	
J331	QNN0747-001	MODULAR JACK		
J801	QNZ0095-001	CONNECTOR		
K401	NQR0007-002X	FERRITE BEADS		
K402	NQR0007-002X	FERRITE BEADS		
K411	NQR0201-004X	FERRITE BEADS		
K831	NQR0007-002X	FERRITE BEADS		
PP1	QZW0010-001	STYLE PIN		
PP2	QZW0010-001	STYLE PIN		
PP3	QZW0010-001	STYLE PIN		
S701	QSW0451-001	DETECT SW		
S702	QSW0451-001	DETECT SW		
S723	QSW1049-001Z	TACT SW		
TH721	NAD0028-103X	N THERMISTOR	10kΩ	
TU21	QAU0443-002	TUNER PACK		
W21	QAM0105-003	CAR CABLE		
X71	QAX0263-001Z	CRYSTAL	4.332MHz	
X721	QAX0617-001Z	CRYSTAL	12.500MHz	
X722	QAX0401-001	CRYSTAL	32.768KHz	

Switch board (KD-DV6201E,DV6201EU, DV6202E,6202EU)

Block No. [0][5]

Symbol No.	Part No.	Part Name	Description	Local
IC601	PT6523LQ-L	LCD DRIVER		
IC602	RPM7338-V4	RM.RECEIVER		
Q640	2SA1365/F-X	TRANSISTOR		
Q641	RT1N141C-X	DIGI TRANSISTOR		
D601	LSQ971/KL-X	LED		
D602	LSQ971/KL-X	LED		
D603	LSQ971/KL-X	LED		
D604	LSQ971/KL-X	LED		
D605	LSQ971/KL-X	LED		
D606	LSQ971/KL-X	LED		
D607	LSQ971/KL-X	LED		
D608	SML310BA1T/HJ-X	LED		
D609	SML310BA1T/HJ-X	LED		
D610	LSQ971/KL-X	LED		
D611	LSQ971/KL-X	LED		

Symbol No.	Part No.	Part Name	Description	Local
D612	LSQ971/KL-X	LED		
D613	LSQ971/KL-X	LED		
D614	LSQ971/KL-X	LED		
D615	LSQ971/KL-X	LED		
D616	LSQ971/KL-X	LED		
D617	LSQ971/KL-X	LED		
D618	SML310BA1T/HJ-X	LED		
D620	SML310BA1T/HJ-X	LED		
D621	SML310BA1T/HJ-X	LED		
D640	MC2838-X	DIODE		
D641	UDZW5.1B-X	SI DIODE		
D642	1SS355W-X	DIODE C.M		
D643	UDZW6.2B-X	DIODE		
D645	NSPW310BS/BRST/	LED		
D646	NSPW310BS/BRST/	LED		

C601	NCB31HK-223X	C CAPACITOR	0.022uF 50V K	
C602	NCS31HJ-681X	C CAPACITOR	680pF 50V J	
C603	NBE20JM-106X	TA E CAPACITOR	10uF 6.3V M	
C611	NCB31HK-123X	C CAPACITOR	0.012uF 50V K	
C612	NBE20JM-475X	TA E CAPACITOR	4.7uF 6.3V M	

R601	NRSA63J-821X	MG RESISTOR	820Ω 1/16W J	
R602	NRSA63J-821X	MG RESISTOR	820Ω 1/16W J	
R603	NRSA63J-122X	MG RESISTOR	1.2kΩ 1/16W J	
R604	NRSA63J-182X	MG RESISTOR	1.8kΩ 1/16W J	
R605	NRSA63J-272X	MG RESISTOR	2.7kΩ 1/16W J	
R606	NRSA63J-392X	MG RESISTOR	3.9kΩ 1/16W J	
R607	NRSA63J-821X	MG RESISTOR	820Ω 1/16W J	
R608	NRSA63J-821X	MG RESISTOR	820Ω 1/16W J	
R609	NRSA63J-122X	MG RESISTOR	1.2kΩ 1/16W J	
R610	NRSA63J-182X	MG RESISTOR	1.8kΩ 1/16W J	
R611	NRSA63J-272X	MG RESISTOR	2.7kΩ 1/16W J	
R612	NRSA63J-392X	MG RESISTOR	3.9kΩ 1/16W J	
R613	NRSA63J-821X	MG RESISTOR	820Ω 1/16W J	
R614	NRSA63J-821X	MG RESISTOR	820Ω 1/16W J	
R632	NRSA02J-821X	MG RESISTOR	820Ω 1/10W J	
R634	NRSA63J-301X	MG RESISTOR	300Ω 1/16W J	
R636	NRSA63J-301X	MG RESISTOR	300Ω 1/16W J	
R638	NRSA63J-301X	MG RESISTOR	300Ω 1/16W J	
R640	NRSA63J-680X	MG RESISTOR	68Ω 1/16W J	
R641	NRS181J-101X	MG RESISTOR	100Ω 1/8W J	
R642	NRSA63J-680X	MG RESISTOR	68Ω 1/16W J	
R643	NRSA63J-680X	MG RESISTOR	68Ω 1/16W J	
R644	NRSA63J-431X	MG RESISTOR	430Ω 1/16W J	
R646	NRSA63J-431X	MG RESISTOR	430Ω 1/16W J	
R648	NRSA63J-431X	MG RESISTOR	430Ω 1/16W J	
R650	NRS181J-221X	MG RESISTOR	220Ω 1/8W J	
R651	NRSA63J-222X	MG RESISTOR	2.2kΩ 1/16W J	
R652	NRSA63J-222X	MG RESISTOR	2.2kΩ 1/16W J	
R653	NRSA63J-103X	MG RESISTOR	10kΩ 1/16W J	
R654	NRSA63J-103X	MG RESISTOR	10kΩ 1/16W J	
R655	NRSA63J-103X	MG RESISTOR	10kΩ 1/16W J	
R656	NRSA63J-103X	MG RESISTOR	10kΩ 1/16W J	
R657	NRSA63J-513X	MG RESISTOR	51kΩ 1/16W J	
R658	NRSA63J-184X	MG RESISTOR	180kΩ 1/16W J	
R660	NRSA02J-391X	MG RESISTOR	390Ω 1/10W J	
R661	NRSA02J-391X	MG RESISTOR	390Ω 1/10W J	
R670	NRSA63J-0R0X	MG RESISTOR	0Ω 1/16W J	
R672	NRSA02J-471X	MG RESISTOR	470Ω 1/10W J	
R673	NRSA02J-473X	MG RESISTOR	47kΩ 1/10W J	
R674	NRSA02J-102X	MG RESISTOR	1kΩ 1/10W J	
R680	NRSA63J-680X	MG RESISTOR	68Ω 1/16W J	
R681	NRSA63J-680X	MG RESISTOR	68Ω 1/16W J	
R691	NRSA63J-103X	MG RESISTOR	10kΩ 1/16W J	
R692	NRSA63J-471X	MG RESISTOR	470Ω 1/16W J	

CN601	NNZ0085-001	CAR CONNECTOR		
EN601	QSW1163-001	ROTARY ENCODER		
S601	NSW0206-001X	TACT SWITCH		
S602	NSW0206-001X	TACT SWITCH		
S603	NSW0206-001X	TACT SWITCH		
S604	NSW0206-001X	TACT SWITCH		
S605	NSW0206-001X	TACT SWITCH		
S606	NSW0206-001X	TACT SWITCH		
S607	NSW0206-001X	TACT SWITCH		
S608	NSW0206-001X	TACT SWITCH		

Symbol No.	Part No.	Part Name	Description	Local	Symbol No.	Part No.	Part Name	Description	Local
S609	NSW0206-001X	TACT SWITCH			C471	NCB31HK-332X	C CAPACITOR	3300pF 50V K	
S610	NSW0206-001X	TACT SWITCH			C472	NCS31HJ-471X	C CAPACITOR	470pF 50V J	
S611	NSW0206-001X	TACT SWITCH			C473	NCS31HJ-471X	C CAPACITOR	470pF 50V J	
S612	NSW0206-001X	TACT SWITCH			C474	NCB31CK-104X	C CAPACITOR	0.1uF 16V K	
S613	NSW0206-001X	TACT SWITCH			C475	NBE41AM-476X	TA E CAPACITOR	47uF 10V M	
S614	NSW0206-001X	TACT SWITCH			C481	NCB31CK-104X	C CAPACITOR	0.1uF 16V K	
S616	NSW0206-001X	TACT SWITCH			C482	NCB31CK-104X	C CAPACITOR	0.1uF 16V K	
S617	NSW0206-001X	TACT SWITCH			C521	NBE21CM-475X	TA E CAPACITOR	4.7uF 16V M	
					C522	NCB31CK-104X	C CAPACITOR	0.1uF 16V K	
					C531	NCB31AK-474X	C CAPACITOR	0.47uF 10V K	

**USB board
(KD-DV6201E,DV6201EU,
DV6202E,6202EU)**

Block No. [0][6]

Symbol No.	Part No.	Part Name	Description	Local	Symbol No.	Part No.	Part Name	Description	Local
IC401	TCC760	IC			R398	NRSA63J-0R0X	MG RESISTOR	0Ω 1/16W J	
IC441	SA04D70TFI021A	IC(PROGRAMED)			R399	NRSA63J-0R0X	MG RESISTOR	0Ω 1/16W J	
IC442	K4S161622H-UC60	IC			R401	NRSA63J-0R0X	MG RESISTOR	0Ω 1/16W J	
IC451	AK4385ET-X	IC			R402	NRSA63J-0R0X	MG RESISTOR	0Ω 1/16W J	
IC452	NJM4565V-X	IC			R403	NRSA63J-0R0X	MG RESISTOR	0Ω 1/16W J	
IC481	SN74LVC2G07V-X	LOGIC IC			R404	NRSA63J-472X	MG RESISTOR	4.7kΩ 1/16W J	
IC482	SN74AHCT1G08V-X	IC			R405	NRSA63J-472X	MG RESISTOR	4.7kΩ 1/16W J	
IC521	BH18LB1WG-W	1.8V REG			R406	NRSA63J-472X	MG RESISTOR	4.7kΩ 1/16W J	
					R407	NRSA63J-0R0X	MG RESISTOR	0Ω 1/16W J	
Q401	RT1N141C-X	DIGI TRANSISTOR			R408	NRSA63J-0R0X	MG RESISTOR	0Ω 1/16W J	
					R409	NRSA63J-102X	MG RESISTOR	1kΩ 1/16W J	
D532	UDZW5.1B-X	SI DIODE			R410	NRSA63J-0R0X	MG RESISTOR	0Ω 1/16W J	
D533	UDZW5.1B-X	SI DIODE			R411	NRSA63J-152X	MG RESISTOR	1.5kΩ 1/16W J	
D600	SML-310LT/MN/-X	LED			R412	NRSA63J-105X	MG RESISTOR	1MΩ 1/16W J	
					R414	NRSA63J-0R0X	MG RESISTOR	0Ω 1/16W J	
C402	NCB31CK-104X	C CAPACITOR	0.1uF 16V K		R415	NRSA63J-0R0X	MG RESISTOR	0Ω 1/16W J	
C403	NCB31CK-104X	C CAPACITOR	0.1uF 16V K		R416	NRSA63J-0R0X	MG RESISTOR	0Ω 1/16W J	
C404	NCB31CK-104X	C CAPACITOR	0.1uF 16V K		R417	NRSA63J-0R0X	MG RESISTOR	0Ω 1/16W J	
C406	NCB31CK-104X	C CAPACITOR	0.1uF 16V K		R418	NRSA63J-0R0X	MG RESISTOR	0Ω 1/16W J	
C407	NDC31HJ-270X	C CAPACITOR	27pF 50V J		R420	NRSA63J-104X	MG RESISTOR	100kΩ 1/16W J	
C408	NDC31HJ-270X	C CAPACITOR	27pF 50V J		R421	NRSA63J-472X	MG RESISTOR	4.7kΩ 1/16W J	
C409	NCB31CK-104X	C CAPACITOR	0.1uF 16V K		R425	NRSA63J-103X	MG RESISTOR	10kΩ 1/16W J	
C410	NCB31CK-104X	C CAPACITOR	0.1uF 16V K		R426	NRSA63J-0R0X	MG RESISTOR	0Ω 1/16W J	
C411	NDC31HJ-331X	C CAPACITOR	330pF 50V J		R435	NRSA63J-472X	MG RESISTOR	4.7kΩ 1/16W J	
C412	NCB31CK-104X	C CAPACITOR	0.1uF 16V K		R436	NRSA63J-472X	MG RESISTOR	4.7kΩ 1/16W J	
C413	NCB31CK-104X	C CAPACITOR	0.1uF 16V K		R437	NRSA63J-472X	MG RESISTOR	4.7kΩ 1/16W J	
C414	NCB31CK-104X	C CAPACITOR	0.1uF 16V K		R441	NRSA63J-102X	MG RESISTOR	1kΩ 1/16W J	
C415	NCB31CK-104X	C CAPACITOR	0.1uF 16V K		R444	NRSA63J-0R0X	MG RESISTOR	0Ω 1/16W J	
C416	NCB31CK-104X	C CAPACITOR	0.1uF 16V K		R446	NRSA63J-472X	MG RESISTOR	4.7kΩ 1/16W J	
C417	NCB31CK-104X	C CAPACITOR	0.1uF 16V K		R447	NRSA63J-0R0X	MG RESISTOR	0Ω 1/16W J	
C418	NCB31CK-104X	C CAPACITOR	0.1uF 16V K		R448	NRSA63J-473X	MG RESISTOR	47kΩ 1/16W J	
C419	NCB31CK-104X	C CAPACITOR	0.1uF 16V K		R451	NRSA63J-473X	MG RESISTOR	47kΩ 1/16W J	
C420	NCB31CK-104X	C CAPACITOR	0.1uF 16V K		R452	NRSA63J-0R0X	MG RESISTOR	0Ω 1/16W J	
C440	NCB31AK-154X	C CAPACITOR	0.15uF 10V K		R453	NRSA63J-4R7X	MG RESISTOR	4.7Ω 1/16W J	
C441	NCB31CK-104X	C CAPACITOR	0.1uF 16V K		R454	NRSA63J-100X	MG RESISTOR	10Ω 1/16W J	
C442	NBE20JM-226X	TA E CAPACITOR	22uF 6.3V M		R455	NRSA63J-100X	MG RESISTOR	10Ω 1/16W J	
C443	NCB31CK-104X	C CAPACITOR	0.1uF 16V K		R460	NRSA63J-122X	MG RESISTOR	1.2kΩ 1/16W J	
C444	NCB31CK-104X	C CAPACITOR	0.1uF 16V K		R461	NRSA63J-472X	MG RESISTOR	4.7kΩ 1/16W J	
C445	NCB31CK-104X	C CAPACITOR	0.1uF 16V K		R462	NRSA63J-472X	MG RESISTOR	4.7kΩ 1/16W J	
C446	NCB31CK-104X	C CAPACITOR	0.1uF 16V K		R463	NRSA63J-223X	MG RESISTOR	22kΩ 1/16W J	
C447	NCB31CK-104X	C CAPACITOR	0.1uF 16V K		R464	NRSA63J-472X	MG RESISTOR	4.7kΩ 1/16W J	
C448	NBE20JM-226X	TA E CAPACITOR	22uF 6.3V M		R465	NRSA63J-201X	MG RESISTOR	200Ω 1/16W J	
C449	NCB31CK-104X	C CAPACITOR	0.1uF 16V K		R466	NRSA63J-223X	MG RESISTOR	22kΩ 1/16W J	
C451	NCB31HK-331X	C CAPACITOR	330pF 50V K		R467	NRSA63J-472X	MG RESISTOR	4.7kΩ 1/16W J	
C453	NCB31CK-473X	C CAPACITOR	0.047uF 16V K		R468	NRSA63J-201X	MG RESISTOR	200Ω 1/16W J	
C454	NBE41AM-476X	TA E CAPACITOR	47uF 10V M		R469	NRSA63J-102X	MG RESISTOR	1kΩ 1/16W J	
C455	NCB31CK-104X	C CAPACITOR	0.1uF 16V K		R470	NRSA63J-122X	MG RESISTOR	1.2kΩ 1/16W J	
C456	NCB31CK-104X	C CAPACITOR	0.1uF 16V K		R471	NRSA63J-472X	MG RESISTOR	4.7kΩ 1/16W J	
C457	NBE41AM-476X	TA E CAPACITOR	47uF 10V M		R472	NRSA63J-472X	MG RESISTOR	4.7kΩ 1/16W J	
C461	NCB31HK-332X	C CAPACITOR	3300pF 50V K		R473	NRSA63J-223X	MG RESISTOR	22kΩ 1/16W J	
C462	NCS31HJ-471X	C CAPACITOR	470pF 50V J		R474	NRSA63J-472X	MG RESISTOR	4.7kΩ 1/16W J	
C463	NCS31HJ-471X	C CAPACITOR	470pF 50V J		R475	NRSA63J-201X	MG RESISTOR	200Ω 1/16W J	
C464	NCB31CK-104X	C CAPACITOR	0.1uF 16V K		R476	NRSA63J-223X	MG RESISTOR	22kΩ 1/16W J	
C465	NBE41AM-476X	TA E CAPACITOR	47uF 10V M		R477	NRSA63J-472X	MG RESISTOR	4.7kΩ 1/16W J	
					R478	NRSA63J-201X	MG RESISTOR	200Ω 1/16W J	
					R479	NRSA63J-102X	MG RESISTOR	1kΩ 1/16W J	
					R482	NRSA63J-103X	MG RESISTOR	10kΩ 1/16W J	
					R483	NRSA63J-103X	MG RESISTOR	10kΩ 1/16W J	
					R484	NRSA63J-103X	MG RESISTOR	10kΩ 1/16W J	
					R532	NRSA63J-153X	MG RESISTOR	15kΩ 1/16W J	
					R533	NRSA63J-153X	MG RESISTOR	15kΩ 1/16W J	
					RA401	NRZ0065-472X	MG RESISTOR	4.7kΩ	
					L401	NQL38DK-330X	COIL	33uH K	
					L531	NQR0536-001X	CHOKO COIL		

Symbol No.	Part No.	Part Name	Description	Local
CN531	QNZ0855-001	USB CONNECTOR		
CN532	QGB1004K1-16	CONNECTOR	B-B (1-16)	
CN600	QGA1501C6-02	CONNECTOR	W-B (1-2)	
F531	NAD0031-004X	N THERMISTOR	W	
K441	NQR0502-001X	FERRITE BEADS		
X402	NAX0832-001X	CRYSTAL		

Main board (KD-DV6207EE)

Block No. [0][7]

Symbol No.	Part No.	Part Name	Description	Local
IC71	LC72725NM-X	IC		
IC161	TDA7416	IC		
IC162	CD4066BPW-X	IC		
IC301	TB2904HQ	IC		
IC401	SN74AHCT1G08V-X	IC		
IC402	TOTX177L	OPTICAL JACK		
IC411	MM1510XN-X	IC		
IC421	NJM4580V-X	IC		
IC431	LC75344M-X	IC		
IC471	BA05CC0WT-V5	IC REGULATOR		
△ IC721	UPD784218AGC328	IC		
IC722	BR24L32F-W-X	IC(DIGITAL)		
IC723	S-80833CNNB-G-W	IC		
IC801	SN74AHC126NS-X	IC		
△ IC901	R2S25401DS-E	IC		
△ IC921	BA33BC0FP-X	IC		
△ IC922	BD9781HFP-W	IC		
IC961	SN74LVC32APW-X	IC		
IC962	SN74HCT32APW-X	IC		
Q2	RT1N141C-X	DIGI TRANSISTOR		
Q161	RT1N141C-X	DIGI TRANSISTOR		
Q162	RT1N141C-X	DIGI TRANSISTOR		
Q191	KTD1304-X	TRANSISTOR		
Q192	RT1P441C-X	DIGI TRANSISTOR		
Q301	RT1N441C-X	TRANSISTOR		
Q302	RT1P441C-X	DIGI TRANSISTOR		
Q303	RT1N141C-X	DIGI TRANSISTOR		
Q304	RT1N141C-X	DIGI TRANSISTOR		
Q324	KTD1304-X	TRANSISTOR		
Q334	KTD1304-X	TRANSISTOR		
Q344	KTD1304-X	TRANSISTOR		
Q354	KTD1304-X	TRANSISTOR		
Q421	KTD1304-X	TRANSISTOR		
Q422	KTD1304-X	TRANSISTOR		
Q431	KTD1304-X	TRANSISTOR		
Q432	KTD1304-X	TRANSISTOR		
Q476	2SA1365/FI-X	TRANSISTOR		
Q477	RT1N141C-X	DIGI TRANSISTOR		
Q701	2SA1530A/R/-X	TRANSISTOR		
Q781	RT1P141C-X	DIGI TRANSISTOR		
Q782	RT1P141C-X	DIGI TRANSISTOR		
Q783	RT1P141C-X	DIGI TRANSISTOR		
Q784	RT1P141C-X	DIGI TRANSISTOR		
Q821	RT1N141C-X	DIGI TRANSISTOR		
Q822	RT1P141C-X	DIGI TRANSISTOR		
Q823	2SC4485/STI-T	TRANSISTOR		
Q881	2SC3928A/R/-X	TRANSISTOR		
Q885	RT1N141C-X	DIGI TRANSISTOR		
Q891	RT1N141C-X	DIGI TRANSISTOR		
Q903	2SA1530A/R/-X	TRANSISTOR		
Q904	RT1N141C-X	DIGI TRANSISTOR		
Q976	RT1N441C-X	TRANSISTOR		
Q977	2SA1530A/R/-X	TRANSISTOR		
D1	1SS355W-X	DIODE C.M		
D2	1SS355W-X	DIODE C.M		
D192	1SS355W-X	DIODE C.M		

Symbol No.	Part No.	Part Name	Description	Local
D301	UDZW11B-X	Z DIODE		
D302	1SS355W-X	DIODE C.M		
D305	CRS03-W	SB DIODE		
D308	CRS03-W	SB DIODE		
D324	1SS355W-X	DIODE C.M		
D334	1SS355W-X	DIODE C.M		
D344	1SS355W-X	DIODE C.M		
D354	1SS355W-X	DIODE C.M		
D401	CRS03-W	SB DIODE		
D421	1SS355W-X	DIODE C.M		
D431	1SS355W-X	DIODE C.M		
D472	1A3G-T1	SI DIODE		
D701	UDZW6.2B-X	DIODE		
D702	UDZW6.2B-X	DIODE		
D703	UDZW6.2B-X	DIODE		
D704	UDZW6.2B-X	DIODE		
D705	UDZW6.2B-X	DIODE		
D706	UDZW6.2B-X	DIODE		
D707	UDZW6.2B-X	DIODE		
D709	UDZW6.2B-X	DIODE		
D710	UDZW6.2B-X	DIODE		
D711	UDZW6.2B-X	DIODE		
D716	UDZW6.2B-X	DIODE		
D717	UDZW6.2B-X	DIODE		
D719	SLR-56VC3F	DIODE C.M		
D731	1SS355W-X	DIODE C.M		
D732	UDZW6.2B-X	DIODE		
D781	MC2836-X	DIODE		
D782	MC2836-X	DIODE		
D783	UDZW11B-X	Z DIODE		
D784	UDZW11B-X	Z DIODE		
D785	1SS355W-X	DIODE C.M		
D801	CRS03-W	SB DIODE		
D821	UDZW12B-X	Z DIODE		
D885	1SS355W-X	DIODE C.M		
D891	MC2836-X	DIODE		
△ D901	1N5401-F64	SI DIODE		
D903	1SS355W-X	DIODE C.M		
D906	UDZW5.1B-X	SI DIODE		
D921	1A3G-T1	SI DIODE		
D922	RB051L-40-X	SB DIODE		
D923	CRS03-W	SB DIODE		
D924	CRS03-W	SB DIODE		
D925	CRS03-W	SB DIODE		
D981	CRS03-W	SB DIODE		
D982	CRS03-W	SB DIODE		
C1	NCB31HK-104X	C CAPACITOR	0.1uF 50V K	
C4	NCB31EK-104X	C CAPACITOR	0.1uF 25V K	
C5	QEKJ1CM-476Z	E CAPACITOR	47uF 16V M	
C6	NCB31EK-104X	C CAPACITOR	0.1uF 25V K	
C7	QEKJ1AM-227Z	E CAPACITOR	220uF 10V M	
C8	NCB31HK-104X	C CAPACITOR	0.1uF 50V K	
C9	QEKJ1HM-224Z	E CAPACITOR	0.22uF 50V M	
C12	NDC31HJ-2R0X	C CAPACITOR	2pF 50V J	
C14	NDC31HJ-100X	C CAPACITOR	10pF 50V J	
C71	QEKJ1CM-106Z	E CAPACITOR	10uF 16V M	
C72	NCB31HK-331X	C CAPACITOR	330pF 50V K	
C73	NCB31HK-103X	C CAPACITOR	0.01uF 50V K	
C74	NCS31HJ-561X	C CAPACITOR	560pF 50V J	
C75	QEKJ0JM-476Z	E CAPACITOR	47uF 6.3V M	
C76	NCB31HK-103X	C CAPACITOR	0.01uF 50V K	
C77	NDC31HJ-330X	C CAPACITOR	33pF 50V J	
C78	NDC31HJ-330X	C CAPACITOR	33pF 50V J	
C83	QTE1E57-475Z	E CAPACITOR	4.7uF 25V	
C93	QTE1E57-475Z	E CAPACITOR	4.7uF 25V	
C141	NCB31HK-471X	C CAPACITOR	470pF 50V K	
C151	NCB31HK-471X	C CAPACITOR	470pF 50V K	
C155	NCB31AK-474X	C CAPACITOR	0.47uF 10V K	
C161	QTE1A57-107Z	E CAPACITOR	100uF 10V	
C162	NCB31CK-473X	C CAPACITOR	0.047uF 16V K	
C163	NFV81CM-105X	MF CAPACITOR	1uF 16V M	
C164	NFV81CM-105X	MF CAPACITOR	1uF 16V M	
C165	NFV81CM-105X	MF CAPACITOR	1uF 16V M	
C166	QTE1C57-106Z	E CAPACITOR	10uF 16V	
C168	QEKJ1HM-225Z	E CAPACITOR	2.2uF 50V M	
C169	NCB31HK-103X	C CAPACITOR	0.01uF 50V K	

△ Symbol No.	Part No.	Part Name	Description	Local	△ Symbol No.	Part No.	Part Name	Description	Local
C170	QEKJ1CM-106Z	E CAPACITOR	10uF 16V M		C724	NCS31HJ-471X	C CAPACITOR	470pF 50V J	
C171	QTE1H57-225Z	E CAPACITOR	2.2uF 50V		C725	QEKJ1AM-227Z	E CAPACITOR	220uF 10V M	
C172	QTE1H55-225Z	E CAPACITOR	2.2uF 50V		C726	NDC31HJ-8R0X	C CAPACITOR	8pF 50V J	
C174	QEKJ1HM-225Z	E CAPACITOR	2.2uF 50V M		C727	NDC31HJ-270X	C CAPACITOR	27pF 50V J	
C176	QEKJ1HM-225Z	E CAPACITOR	2.2uF 50V M		C728	NDC31HJ-270X	C CAPACITOR	27pF 50V J	
C177	QEKJ1HM-225Z	E CAPACITOR	2.2uF 50V M		C729	NDC31HJ-220X	C CAPACITOR	22pF 50V J	
C181	QTE1H57-225Z	E CAPACITOR	2.2uF 50V		C730	QEKJ0JM-476Z	E CAPACITOR	47uF 6.3V M	
C182	QTE1H55-225Z	E CAPACITOR	2.2uF 50V		C731	NCB31CK-103X	C CAPACITOR	0.01uF 16V K	
C184	QEKJ1HM-225Z	E CAPACITOR	2.2uF 50V M		C732	QEKJ1AM-227Z	E CAPACITOR	220uF 10V M	
C186	QEKJ1HM-225Z	E CAPACITOR	2.2uF 50V M		C733	NCS31HJ-471X	C CAPACITOR	470pF 50V J	
C187	QEKJ1HM-225Z	E CAPACITOR	2.2uF 50V M		C781	QEKJ0JM-476Z	E CAPACITOR	47uF 6.3V M	
C191	QEKJ0JM-476Z	E CAPACITOR	47uF 6.3V M		C782	QEKJ0JM-476Z	E CAPACITOR	47uF 6.3V M	
C267	QEKJ1CM-106Z	E CAPACITOR	10uF 16V M		C783	QEKJ1CM-476Z	E CAPACITOR	47uF 16V M	
C301	QEKJ1CM-476Z	E CAPACITOR	47uF 16V M		C784	QEKJ1CM-476Z	E CAPACITOR	47uF 16V M	
C302	NCB31HK-103X	C CAPACITOR	0.01uF 50V K		C802	NCS31HJ-220X	C CAPACITOR	22pF 50V J	
C311	NBE21CM-475X	TA E CAPACITOR	4.7uF 16V M		C803	NCB31CK-473X	C CAPACITOR	0.047uF 16V K	
C312	QTE1C57-476Z	E CAPACITOR	47uF 16V		C804	NCS31HJ-220X	C CAPACITOR	22pF 50V J	
C313	NCB31HK-103X	C CAPACITOR	0.01uF 50V K		C821	QEKJ1CM-106Z	E CAPACITOR	10uF 16V M	
C314	QEKJ1HM-225Z	E CAPACITOR	2.2uF 50V M		C822	QEKJ1CM-106Z	E CAPACITOR	10uF 16V M	
C315	QEKJ1CM-226Z	E CAPACITOR	22uF 16V M		C823	NCB31HK-103X	C CAPACITOR	0.01uF 50V K	
C316	NCB31HK-103X	C CAPACITOR	0.01uF 50V K		C881	QEKJ1CM-226Z	E CAPACITOR	22uF 16V M	
C326	QEKJ1EM-475Z	E CAPACITOR	4.7uF 25V M		C885	QEKJ1CM-106Z	E CAPACITOR	10uF 16V M	
C328	NFV81CM-105X	MF CAPACITOR	1uF 16V M		C892	NCB31CK-104X	C CAPACITOR	0.1uF 16V K	
C329	NCS31HJ-101X	C CAPACITOR	100pF 50V J		C901	QEZ0722-338	E CAPACITOR	3300uF	
C331	NCB31HK-223X	C CAPACITOR	0.022uF 50V K		C902	QEKJ1HM-225Z	E CAPACITOR	2.2uF 50V M	
C336	QEKJ1EM-475Z	E CAPACITOR	4.7uF 25V M		C903	QEKJ1CM-106Z	E CAPACITOR	10uF 16V M	
C338	NFV81CM-105X	MF CAPACITOR	1uF 16V M		C905	QEKJ1AM-107Z	E CAPACITOR	100uF 10V M	
C339	NCS31HJ-101X	C CAPACITOR	100pF 50V J		C906	NCF31CZ-104X	C CAPACITOR	0.1uF 16V Z	
C346	QEKJ1EM-475Z	E CAPACITOR	4.7uF 25V M		C907	NCB31HK-103X	C CAPACITOR	0.01uF 50V K	
C348	NFV81CM-105X	MF CAPACITOR	1uF 16V M		C908	QEKJ1AM-227Z	E CAPACITOR	220uF 10V M	
C349	NCS31HJ-101X	C CAPACITOR	100pF 50V J		C909	QEKJ1CM-107Z	E CAPACITOR	100uF 16V M	
C356	QEKJ1EM-475Z	E CAPACITOR	4.7uF 25V M		C910	NCB31HK-102X	C CAPACITOR	1000pF 50V K	
C358	NFV81CM-105X	MF CAPACITOR	1uF 16V M		C911	NCB31HK-102X	C CAPACITOR	1000pF 50V K	
C359	NCS31HJ-101X	C CAPACITOR	100pF 50V J		C912	QEKJ1CM-226Z	E CAPACITOR	22uF 16V M	
C401	NCS31HJ-220X	C CAPACITOR	22pF 50V J		C913	NCB31EK-473X	C CAPACITOR	0.047uF 25V K	
C402	NCB31HK-103X	C CAPACITOR	0.01uF 50V K		C918	QEKJ1AM-227Z	E CAPACITOR	220uF 10V M	
C403	NCB31HK-103X	C CAPACITOR	0.01uF 50V K		C919	NCB31HK-103X	C CAPACITOR	0.01uF 50V K	
C404	QEKJ0JM-107Z	E CAPACITOR	100uF 6.3V M		C921	QEKJ1AM-227Z	E CAPACITOR	220uF 10V M	
C405	NCS31HJ-220X	C CAPACITOR	22pF 50V J		C922	QEKJ1AM-107Z	E CAPACITOR	100uF 10V M	
C406	NCB31HK-103X	C CAPACITOR	0.01uF 50V K		C925	QEKJ1AM-227Z	E CAPACITOR	220uF 10V M	
C411	QEKJ1AM-227Z	E CAPACITOR	220uF 10V M		C926	QEXF1AM-476Z	E CAPACITOR	47uF 10V M	
C412	NCB31EK-473X	C CAPACITOR	0.047uF 25V K		C927	QEZ0595-477Z	E CAPACITOR	470uF	
C413	QCZ0202-155Z	C CAPACITOR	1.5uF 25V Z		C928	NCF31CZ-104X	C CAPACITOR	0.1uF 16V Z	
C414	QERF0JM-337Z	E CAPACITOR	330uF 6.3V M		C929	NCB31HK-472X	C CAPACITOR	4700pF 50V K	
C415	NCS31HJ-101X	C CAPACITOR	100pF 50V J		C930	NCF31CZ-104X	C CAPACITOR	0.1uF 16V Z	
C416	NCB31HK-103X	C CAPACITOR	0.01uF 50V K		C961	QEKJ1AM-227Z	E CAPACITOR	220uF 10V M	
C423	QEKJ1AM-227Z	E CAPACITOR	220uF 10V M		C962	QEKJ1AM-227Z	E CAPACITOR	220uF 10V M	
C424	NCS31HJ-151X	C CAPACITOR	150pF 50V J		C963	QEKJ1AM-227Z	E CAPACITOR	220uF 10V M	
C425	NCS31HJ-101X	C CAPACITOR	100pF 50V J		C964	QEKJ1AM-227Z	E CAPACITOR	220uF 10V M	
C426	NCS31HJ-221X	C CAPACITOR	220pF 50V J		C965	QEKJ1AM-227Z	E CAPACITOR	220uF 10V M	
C427	QEKJ1EM-475Z	E CAPACITOR	4.7uF 25V M		C966	NCB31CK-104X	C CAPACITOR	0.1uF 16V K	
C428	QEKJ1EM-475Z	E CAPACITOR	4.7uF 25V M		C967	NCB31CK-104X	C CAPACITOR	0.1uF 16V K	
C433	QEKJ1AM-227Z	E CAPACITOR	220uF 10V M		C968	NCB31EK-473X	C CAPACITOR	0.047uF 25V K	
C434	NCS31HJ-151X	C CAPACITOR	150pF 50V J		C969	NCB31EK-473X	C CAPACITOR	0.047uF 25V K	
C435	NCS31HJ-101X	C CAPACITOR	100pF 50V J		C970	QEKJ1CM-107Z	E CAPACITOR	100uF 16V M	
C436	NCS31HJ-221X	C CAPACITOR	220pF 50V J		C971	NCB31EK-473X	C CAPACITOR	0.047uF 25V K	
C437	QEKJ1EM-475Z	E CAPACITOR	4.7uF 25V M		C981	NCB31CK-104X	C CAPACITOR	0.1uF 16V K	
C438	QEKJ1EM-475Z	E CAPACITOR	4.7uF 25V M		C999	NRSA63J-0R0X	MG RESISTOR	0Ω 1/16W J	
C441	QEKJ0JM-476Z	E CAPACITOR	47uF 6.3V M		R2	NRSA63J-102X	MG RESISTOR	1kΩ 1/16W J	
C451	QEKJ0JM-476Z	E CAPACITOR	47uF 6.3V M		R3	NRSA63J-102X	MG RESISTOR	1kΩ 1/16W J	
C461	QEKJ1CM-226Z	E CAPACITOR	22uF 16V M		R5	NRSA63J-330X	MG RESISTOR	33Ω 1/16W J	
C462	QEKJ1CM-476Z	E CAPACITOR	47uF 16V M		R6	NRSA63J-330X	MG RESISTOR	33Ω 1/16W J	
C463	NCF31CZ-104X	C CAPACITOR	0.1uF 16V Z		R7	NRSA63J-103X	MG RESISTOR	10kΩ 1/16W J	
C464	QEKJ1CM-476Z	E CAPACITOR	47uF 16V M		R8	NRSA63J-332X	MG RESISTOR	3.3kΩ 1/16W J	
C465	NCF31CZ-104X	C CAPACITOR	0.1uF 16V Z		R9	NRSA63J-473X	MG RESISTOR	47kΩ 1/16W J	
C474	QEKJ1AM-227Z	E CAPACITOR	220uF 10V M		R10	NRSA63J-472X	MG RESISTOR	4.7kΩ 1/16W J	
C475	NCB31HK-102X	C CAPACITOR	1000pF 50V K		R11	NRSA63J-472X	MG RESISTOR	4.7kΩ 1/16W J	
C476	QEKJ1AM-227Z	E CAPACITOR	220uF 10V M		R12	NRS181J-4R7X	MG RESISTOR	4.7Ω 1/8W J	
C477	QEKJ1AM-107Z	E CAPACITOR	100uF 10V M		R13	NRS181J-6R8X	MG RESISTOR	6.8Ω 1/8W J	
C478	NCB31CK-104X	C CAPACITOR	0.1uF 16V K		R14	NRSA63J-0R0X	MG RESISTOR	0Ω 1/16W J	
C479	QEKJ1AM-107Z	E CAPACITOR	100uF 10V M		R71	NRSA63J-101X	MG RESISTOR	100Ω 1/16W J	
C480	QEKJ1AM-227Z	E CAPACITOR	220uF 10V M		R72	NRSA63J-202X	MG RESISTOR	2kΩ 1/16W J	
C701	NCB31HK-103X	C CAPACITOR	0.01uF 50V K		R73	NRSA63J-103X	MG RESISTOR	10kΩ 1/16W J	
C702	NCB31CK-104X	C CAPACITOR	0.1uF 16V K		R81	NRSA63J-223X	MG RESISTOR	22kΩ 1/16W J	
C721	NCB31EK-473X	C CAPACITOR	0.047uF 25V K		R82	NRSA63J-822X	MG RESISTOR	8.2kΩ 1/16W J	
C722	QEKJ1AM-227Z	E CAPACITOR	220uF 10V M		R91	NRSA63J-223X	MG RESISTOR	22kΩ 1/16W J	
C723	NCS31HJ-471X	C CAPACITOR	470pF 50V J						

Symbol No.	Part No.	Part Name	Description	Local
R92	NRSA63J-822X	MG RESISTOR	8.2kΩ 1/16W J	
R141	NRSA63J-473X	MG RESISTOR	47kΩ 1/16W J	
R142	NRSA63J-0R0X	MG RESISTOR	0Ω 1/16W J	
R151	NRSA63J-473X	MG RESISTOR	47kΩ 1/16W J	
R152	NRSA63J-0R0X	MG RESISTOR	0Ω 1/16W J	
R155	NRSA63J-471X	MG RESISTOR	470Ω 1/16W J	
R161	NRSA63J-0R0X	MG RESISTOR	0Ω 1/16W J	
R162	NRSA63J-473X	MG RESISTOR	47kΩ 1/16W J	
R163	NRSA63J-473X	MG RESISTOR	47kΩ 1/16W J	
R164	NRSA63J-473X	MG RESISTOR	47kΩ 1/16W J	
R165	NRSA63J-473X	MG RESISTOR	47kΩ 1/16W J	
R166	NRSA63J-221X	MG RESISTOR	220Ω 1/16W J	
R171	NRSA63J-222X	MG RESISTOR	2.2kΩ 1/16W J	
R172	NRSA63J-222X	MG RESISTOR	2.2kΩ 1/16W J	
R173	NRSA63J-0R0X	MG RESISTOR	0Ω 1/16W J	
R191	NRSA63J-472X	MG RESISTOR	4.7kΩ 1/16W J	
R192	NRSA63J-821X	MG RESISTOR	820Ω 1/16W J	
R193	NRSA63J-101X	MG RESISTOR	100Ω 1/16W J	
R194	NRSA63J-101X	MG RESISTOR	100Ω 1/16W J	
R197	NRSA63J-471X	MG RESISTOR	470Ω 1/16W J	
R302	NRSA63J-0R0X	MG RESISTOR	0Ω 1/16W J	
R304	NRSA63J-473X	MG RESISTOR	47kΩ 1/16W J	
R305	NRSA63J-103X	MG RESISTOR	10kΩ 1/16W J	
R306	NRSA63J-273X	MG RESISTOR	27kΩ 1/16W J	
R307	NRSA63J-100X	MG RESISTOR	10Ω 1/16W J	
R308	NRSA63J-222X	MG RESISTOR	2.2kΩ 1/16W J	
R323	NRSA63J-473X	MG RESISTOR	47kΩ 1/16W J	
R324	NRSA63J-222X	MG RESISTOR	2.2kΩ 1/16W J	
R325	NRSA63J-102X	MG RESISTOR	1kΩ 1/16W J	
R326	NRSA63J-101X	MG RESISTOR	100Ω 1/16W J	
R327	NRSA63J-0R0X	MG RESISTOR	0Ω 1/16W J	
R329	NRSA63J-102X	MG RESISTOR	1kΩ 1/16W J	
R330	NRSA63J-102X	MG RESISTOR	1kΩ 1/16W J	
R333	NRSA63J-473X	MG RESISTOR	47kΩ 1/16W J	
R334	NRSA63J-222X	MG RESISTOR	2.2kΩ 1/16W J	
R335	NRSA63J-102X	MG RESISTOR	1kΩ 1/16W J	
R336	NRSA63J-101X	MG RESISTOR	100Ω 1/16W J	
R337	NRSA63J-0R0X	MG RESISTOR	0Ω 1/16W J	
R339	NRSA63J-102X	MG RESISTOR	1kΩ 1/16W J	
R340	NRSA63J-102X	MG RESISTOR	1kΩ 1/16W J	
R343	NRSA63J-473X	MG RESISTOR	47kΩ 1/16W J	
R344	NRSA63J-222X	MG RESISTOR	2.2kΩ 1/16W J	
R345	NRSA63J-102X	MG RESISTOR	1kΩ 1/16W J	
R346	NRSA63J-101X	MG RESISTOR	100Ω 1/16W J	
R347	NRSA63J-0R0X	MG RESISTOR	0Ω 1/16W J	
R349	NRSA63J-102X	MG RESISTOR	1kΩ 1/16W J	
R350	NRSA63J-102X	MG RESISTOR	1kΩ 1/16W J	
R353	NRSA63J-473X	MG RESISTOR	47kΩ 1/16W J	
R354	NRSA63J-222X	MG RESISTOR	2.2kΩ 1/16W J	
R355	NRSA63J-102X	MG RESISTOR	1kΩ 1/16W J	
R356	NRSA63J-101X	MG RESISTOR	100Ω 1/16W J	
R357	NRSA63J-0R0X	MG RESISTOR	0Ω 1/16W J	
R359	NRSA63J-102X	MG RESISTOR	1kΩ 1/16W J	
R360	NRSA63J-102X	MG RESISTOR	1kΩ 1/16W J	
R371	NRSA63J-0R0X	MG RESISTOR	0Ω 1/16W J	
R372	NRSA63J-0R0X	MG RESISTOR	0Ω 1/16W J	
R381	NRSA63J-0R0X	MG RESISTOR	0Ω 1/16W J	
R382	NRSA63J-0R0X	MG RESISTOR	0Ω 1/16W J	
R401	NRSA63J-471X	MG RESISTOR	470Ω 1/16W J	
R402	NRSA63J-100X	MG RESISTOR	10Ω 1/16W J	
R403	NRSA63J-471X	MG RESISTOR	470Ω 1/16W J	
R404	NRSA63J-2R2X	MG RESISTOR	2.2Ω 1/16W J	
R410	NRS181J-0R0X	MG RESISTOR	0Ω 1/8W J	
R411	NRSA63J-0R0X	MG RESISTOR	0Ω 1/16W J	
R412	NRSA63D-682X	MG RESISTOR	6.8kΩ 1/16W D	
R413	NRSA63J-100X	MG RESISTOR	10Ω 1/16W J	
R414	NRSA63J-102X	MG RESISTOR	1kΩ 1/16W J	
R415	NRSA63J-750X	MG RESISTOR	75Ω 1/16W J	
R416	NRSA63J-0R0X	MG RESISTOR	0Ω 1/16W J	
R417	NRSA63D-181X	MG RESISTOR	180Ω 1/16W D	
R421	NRSA63J-220X	MG RESISTOR	22Ω 1/16W J	
R422	NRSA63J-222X	MG RESISTOR	2.2kΩ 1/16W J	
R423	NRSA63J-222X	MG RESISTOR	2.2kΩ 1/16W J	
R424	NRSA63J-390X	MG RESISTOR	39Ω 1/16W J	
R425	NRSA63J-102X	MG RESISTOR	1kΩ 1/16W J	
R426	NRSA63J-183X	MG RESISTOR	18kΩ 1/16W J	
R427	NRSA63J-682X	MG RESISTOR	6.8kΩ 1/16W J	

Symbol No.	Part No.	Part Name	Description	Local
R428	NRSA63J-472X	MG RESISTOR	4.7kΩ 1/16W J	
R429	NRSA63J-104X	MG RESISTOR	100kΩ 1/16W J	
R431	NRSA63J-220X	MG RESISTOR	22Ω 1/16W J	
R432	NRSA63J-222X	MG RESISTOR	2.2kΩ 1/16W J	
R433	NRSA63J-222X	MG RESISTOR	2.2kΩ 1/16W J	
R434	NRSA63J-390X	MG RESISTOR	39Ω 1/16W J	
R435	NRSA63J-102X	MG RESISTOR	1kΩ 1/16W J	
R436	NRSA63J-183X	MG RESISTOR	18kΩ 1/16W J	
R437	NRSA63J-682X	MG RESISTOR	6.8kΩ 1/16W J	
R438	NRSA63J-472X	MG RESISTOR	4.7kΩ 1/16W J	
R439	NRSA63J-104X	MG RESISTOR	100kΩ 1/16W J	
R441	NRSA63J-223X	MG RESISTOR	22kΩ 1/16W J	
R442	NRSA63J-223X	MG RESISTOR	22kΩ 1/16W J	
R451	NRSA63J-223X	MG RESISTOR	22kΩ 1/16W J	
R452	NRSA63J-223X	MG RESISTOR	22kΩ 1/16W J	
R461	NRSA63J-100X	MG RESISTOR	10Ω 1/16W J	
R462	NRSA63J-100X	MG RESISTOR	10Ω 1/16W J	
R463	NRSA63J-100X	MG RESISTOR	10Ω 1/16W J	
R471	NRSA63J-101X	MG RESISTOR	100Ω 1/16W J	
R474	NRSA63J-101X	MG RESISTOR	100Ω 1/16W J	
R475	NRSA63J-101X	MG RESISTOR	100Ω 1/16W J	
R479	NRSA63J-0R0X	MG RESISTOR	0Ω 1/16W J	
R480	NRSA63J-0R0X	MG RESISTOR	0Ω 1/16W J	
R481	NRSA63J-103X	MG RESISTOR	10kΩ 1/16W J	
R482	NRSA63J-473X	MG RESISTOR	47kΩ 1/16W J	
R483	NRSA63J-102X	MG RESISTOR	1kΩ 1/16W J	
R484	NRSA63J-103X	MG RESISTOR	10kΩ 1/16W J	
R704	NRSA63J-271X	MG RESISTOR	270Ω 1/16W J	
R705	NRSA63J-271X	MG RESISTOR	270Ω 1/16W J	
R706	NRSA63J-103X	MG RESISTOR	10kΩ 1/16W J	
R707	NRSA63J-103X	MG RESISTOR	10kΩ 1/16W J	
R708	NRS181J-561X	MG RESISTOR	560Ω 1/8W J	
R709	NRSA63J-562X	MG RESISTOR	5.6kΩ 1/16W J	
R710	NRSA63J-102X	MG RESISTOR	1kΩ 1/16W J	
R711	NRSA63J-103X	MG RESISTOR	10kΩ 1/16W J	
R712	NRSA63J-104X	MG RESISTOR	100kΩ 1/16W J	
R713	NRSA63J-103X	MG RESISTOR	10kΩ 1/16W J	
R714	NRSA63J-104X	MG RESISTOR	100kΩ 1/16W J	
R715	NRSA63J-271X	MG RESISTOR	270Ω 1/16W J	
R716	NRSA63J-271X	MG RESISTOR	270Ω 1/16W J	
R717	NRSA63J-331X	MG RESISTOR	330Ω 1/16W J	
R718	NRSA63J-103X	MG RESISTOR	10kΩ 1/16W J	
R719	NRSA63J-103X	MG RESISTOR	10kΩ 1/16W J	
R720	NRSA63J-0R0X	MG RESISTOR	0Ω 1/16W J	
R721	NRSA63J-222X	MG RESISTOR	2.2kΩ 1/16W J	
R722	NRSA63J-222X	MG RESISTOR	2.2kΩ 1/16W J	
R725	NRSA63J-473X	MG RESISTOR	47kΩ 1/16W J	
R726	NRSA63J-103X	MG RESISTOR	10kΩ 1/16W J	
R727	NRSA63J-562X	MG RESISTOR	5.6kΩ 1/16W J	
R728	NRSA63J-472X	MG RESISTOR	4.7kΩ 1/16W J	
R729	NRSA63J-0R0X	MG RESISTOR	0Ω 1/16W J	
R730	NRSA63J-222X	MG RESISTOR	2.2kΩ 1/16W J	
R733	NRSA63J-103X	MG RESISTOR	10kΩ 1/16W J	
R735	NRSA63J-0R0X	MG RESISTOR	0Ω 1/16W J	
R738	NRSA63J-472X	MG RESISTOR	4.7kΩ 1/16W J	
R739	NRSA63J-472X	MG RESISTOR	4.7kΩ 1/16W J	
R740	NRSA63J-222X	MG RESISTOR	2.2kΩ 1/16W J	
R744	NRSA63J-821X	MG RESISTOR	820Ω 1/16W J	
R745	NRSA63J-106X	MG RESISTOR	10MΩ 1/16W J	
R746	NRSA63J-473X	MG RESISTOR	47kΩ 1/16W J	
R748	NRSA63J-473X	MG RESISTOR	47kΩ 1/16W J	
R749	NRSA63J-473X	MG RESISTOR	47kΩ 1/16W J	
R751	NRSA63J-333X	MG RESISTOR	33kΩ 1/16W J	
R754	NRSA63J-222X	MG RESISTOR	2.2kΩ 1/16W J	
R755	NRSA63J-103X	MG RESISTOR	10kΩ 1/16W J	
R756	NRSA63J-222X	MG RESISTOR	2.2kΩ 1/16W J	
R757	NRSA63J-473X	MG RESISTOR	47kΩ 1/16W J	
R758	NRSA63J-224X	MG RESISTOR	220kΩ 1/16W J	
R759	NRSA63J-224X	MG RESISTOR	220kΩ 1/16W J	
R760	NRSA63J-472X	MG RESISTOR	4.7kΩ 1/16W J	
R761	NRSA63J-472X	MG RESISTOR	4.7kΩ 1/16W J	
R762	NRSA63J-472X	MG RESISTOR	4.7kΩ 1/16W J	
R763	NRSA63J-103X	MG RESISTOR	10kΩ 1/16W J	
R765	NRSA63J-103X	MG RESISTOR	10kΩ 1/16W J	
R766	NRSA63J-0R0X	MG RESISTOR	0Ω 1/16W J	
R767	NRSA63J-0R0X	MG RESISTOR	0Ω 1/16W J	
R768	NRSA63J-0R0X	MG RESISTOR	0Ω 1/16W J	

△ Symbol No.	Part No.	Part Name	Description	Local	△ Symbol No.	Part No.	Part Name	Description	Local
R769	NRSA63J-0R0X	MG RESISTOR	0Ω 1/16W J						
R771	NRSA63J-392X	MG RESISTOR	3.9kΩ 1/16W J		L1	NQL334J-4R7X	INDUCTOR CM	4.7uH J	
R772	NRSA63J-221X	MG RESISTOR	220Ω 1/16W J		L2	NQL093K-R22X	COIL	0.22uH K	
R773	NRSA63J-221X	MG RESISTOR	220Ω 1/16W J		L401	NQR0007-002X	FERRITE BEADS		
R774	NRSA63J-472X	MG RESISTOR	4.7kΩ 1/16W J		L411	NQL114K-470X	COIL	47uH K	
R775	NRSA63J-472X	MG RESISTOR	4.7kΩ 1/16W J		L421	NQR0007-002X	FERRITE BEADS		
R776	NRSA63J-472X	MG RESISTOR	4.7kΩ 1/16W J		L430	NQR0007-002X	FERRITE BEADS		
R777	NRSA63J-102X	MG RESISTOR	1kΩ 1/16W J		L431	NQR0007-002X	FERRITE BEADS		
R778	NRSA63J-103X	MG RESISTOR	10kΩ 1/16W J		L721	NQL38DK-330X	COIL	33uH K	
R779	NRSA63J-222X	MG RESISTOR	2.2kΩ 1/16W J		L722	NQL114K-470X	COIL	47uH K	
R780	NRSA63J-222X	MG RESISTOR	2.2kΩ 1/16W J		L901	QQR1378-002	COIL		
R781	NRSA63J-471X	MG RESISTOR	470Ω 1/16W J		L902	NQL56CK-220X	COIL	22uH K	
R782	NRSA63J-471X	MG RESISTOR	470Ω 1/16W J		L924	NQL56CK-220X	COIL	22uH K	
R799	NRSA63J-222X	MG RESISTOR	2.2kΩ 1/16W J		L925	NQL71EM-330X	COIL	33uH M	
R801	NRSA63J-101X	MG RESISTOR	100Ω 1/16W J		CN141	QGA2006C1-04	CONNECTOR	W-B (1-4)	
R802	NRSA63J-473X	MG RESISTOR	47kΩ 1/16W J		CN411	QGA2501F1-02	CONNECTOR	W-B (1-2)	
R803	NRSA63J-223X	MG RESISTOR	22kΩ 1/16W J		CN421	QGA2006C1-04	CONNECTOR	W-B (1-4)	
R804	NRSA63J-104X	MG RESISTOR	100kΩ 1/16W J		CN471	QGB1004J2-16X	CONNECTOR	B-B (1-16)	
R805	NRSA63J-103X	MG RESISTOR	10kΩ 1/16W J		CN701	QNZ0605-001	CAR CONNECTOR		
R806	NRSA63J-104X	MG RESISTOR	100kΩ 1/16W J		CN702	WJK0224-001A-E	2PIN CABLE		
R807	NRSA63J-331X	MG RESISTOR	330Ω 1/16W J		CN821	QGA2001C1-02	CONNECTOR	W-B (1-2)	
R808	NRSA63J-223X	MG RESISTOR	22kΩ 1/16W J		CN901	QNZ0607-001	CAR CONNECTOR		
R809	NRSA63J-101X	MG RESISTOR	100Ω 1/16W J		CN961	QGB2027M3-30S	CONNECTOR	B-B (1-30)	
R810	NRSA63J-473X	MG RESISTOR	47kΩ 1/16W J		CN962	QGF0534F3-45X	CONNECTOR	FFC/FPC (1-45)	
R811	NRSA63J-0R0X	MG RESISTOR	0Ω 1/16W J		CN963	QGB2027L9-30X	CONNECTOR	B-B (1-30)	
R821	NRSA63J-100X	MG RESISTOR	10Ω 1/16W J		J331	QNN0747-001	MODULAR JACK		
R822	NRSA63J-471X	MG RESISTOR	470Ω 1/16W J		J801	QNZ0095-001	CONNECTOR		
R825	NRSA63J-223X	MG RESISTOR	22kΩ 1/16W J		K401	NQR0007-002X	FERRITE BEADS		
R841	NRSA63J-473X	MG RESISTOR	47kΩ 1/16W J		K402	NQR0007-002X	FERRITE BEADS		
R844	NRSA63J-473X	MG RESISTOR	47kΩ 1/16W J		K411	NQR0201-004X	FERRITE BEADS		
R845	NRSA63J-222X	MG RESISTOR	2.2kΩ 1/16W J		PP1	QZW0010-001	STYLE PIN		
R846	NRSA63J-392X	MG RESISTOR	3.9kΩ 1/16W J		PP2	QZW0010-001	STYLE PIN		
R847	NRSA63J-392X	MG RESISTOR	3.9kΩ 1/16W J		S701	QSW0451-001	DETECT SW		
R848	NRSA63J-331X	MG RESISTOR	330Ω 1/16W J		S702	QSW0451-001	DETECT SW		
R857	NRS181J-0R0X	MG RESISTOR	0Ω 1/8W J		S723	QSW1049-001Z	TACT SW		
R859	NRSA63J-222X	MG RESISTOR	2.2kΩ 1/16W J		TH721	NAD0028-103X	N THERMISTOR	10kΩ	
R860	NRS181J-561X	MG RESISTOR	560Ω 1/8W J		△ TU21	QAU0453-001	TUNER PACK		
R881	NRSA63J-473X	MG RESISTOR	47kΩ 1/16W J		W21	QAM0105-003	CAR CABLE		
R882	NRSA63J-103X	MG RESISTOR	10kΩ 1/16W J		X71	QAX0263-001Z	CRYSTAL	4.332MHz	
R883	NRSA63J-104X	MG RESISTOR	100kΩ 1/16W J		X721	QAX0617-001Z	CRYSTAL	12.500MHz	
R885	NRSA63J-473X	MG RESISTOR	47kΩ 1/16W J		X722	QAX0401-001	CRYSTAL	32.768KHz	
R886	NRSA63J-472X	MG RESISTOR	4.7kΩ 1/16W J						
R887	NRSA63J-103X	MG RESISTOR	10kΩ 1/16W J						
R888	NRSA63J-0R0X	MG RESISTOR	0Ω 1/16W J						
R889	NRSA63J-0R0X	MG RESISTOR	0Ω 1/16W J						
R891	NRSA63J-473X	MG RESISTOR	47kΩ 1/16W J						
R892	NRSA63J-102X	MG RESISTOR	1kΩ 1/16W J						
R894	NRSA63J-0R0X	MG RESISTOR	0Ω 1/16W J						
R901	QRE142J-102X	C RESISTOR	1kΩ 1/4W J						
R902	NRSA63J-912X	MG RESISTOR	9.1kΩ 1/16W J						
R903	NRSA63J-472X	MG RESISTOR	4.7kΩ 1/16W J						
R909	NRSA63J-473X	MG RESISTOR	47kΩ 1/16W J						
R910	NRSA63J-222X	MG RESISTOR	2.2kΩ 1/16W J						
R914	NRS181J-221X	MG RESISTOR	220Ω 1/8W J						
R921	NRS181J-0R0X	MG RESISTOR	0Ω 1/8W J						
R923	NRSA63J-393X	MG RESISTOR	39kΩ 1/16W J						
R924	NRSA63J-103X	MG RESISTOR	10kΩ 1/16W J						
R925	NRSA63J-154X	MG RESISTOR	150kΩ 1/16W J						
R926	NRSA63D-304X	MG RESISTOR	300kΩ 1/16W D						
R927	NRSA63J-0R0X	MG RESISTOR	0Ω 1/16W J						
R928	NRSA63J-473X	MG RESISTOR	47kΩ 1/16W J						
R961	NRS181J-0R0X	MG RESISTOR	0Ω 1/8W J						
R962	NRSA63J-101X	MG RESISTOR	100Ω 1/16W J						
R967	NRS181J-0R0X	MG RESISTOR	0Ω 1/8W J						
R968	NRS181J-0R0X	MG RESISTOR	0Ω 1/8W J						
R969	NRS181J-0R0X	MG RESISTOR	0Ω 1/8W J						
R973	NRSA63J-223X	MG RESISTOR	22kΩ 1/16W J						
R974	NRSA63J-223X	MG RESISTOR	22kΩ 1/16W J						
R975	NRSA63J-223X	MG RESISTOR	22kΩ 1/16W J						
R976	NRSA63J-563X	MG RESISTOR	56kΩ 1/16W J						
R977	NRSA63J-183X	MG RESISTOR	18kΩ 1/16W J						
R981	NRS181J-222X	MG RESISTOR	2.2kΩ 1/8W J						
R982	NRS181J-222X	MG RESISTOR	2.2kΩ 1/8W J						
RA721	NRZ0065-222X	NET RESISTOR	2.2kΩ						
RA722	NRZ0065-222X	NET RESISTOR	2.2kΩ						
RA723	NRZ0065-103X	NET RESISTOR	10kΩ 1/16W J						

Switch board (KD-DV6207EE)

Block No. [0][8]

△ Symbol No.	Part No.	Part Name	Description	Local
IC601	PT6523LQ-L	LCD DRIVER		
IC602	RPM7338-V4	RM.RECEIVER		
Q640	2SA1365/FI-X	TRANSISTOR		
Q641	RT1N141C-X	DIGI TRANSISTOR		
D601	LSQ971/KL/-X	LED		
D602	LSQ971/KL/-X	LED		
D603	LSQ971/KL/-X	LED		
D604	LSQ971/KL/-X	LED		
D605	LSQ971/KL/-X	LED		
D606	LSQ971/KL/-X	LED		
D607	LSQ971/KL/-X	LED		
D608	SML310BA1T/HJ-X	LED		
D609	SML310BA1T/HJ-X	LED		
D610	LSQ971/KL/-X	LED		
D611	LSQ971/KL/-X	LED		
D612	LSQ971/KL/-X	LED		
D613	LSQ971/KL/-X	LED		
D614	LSQ971/KL/-X	LED		
D615	LSQ971/KL/-X	LED		
D616	LSQ971/KL/-X	LED		

Symbol No.	Part No.	Part Name	Description	Local
D617	LSQ971/KL-X	LED		
D618	SML310BA1T/HJ-X	LED		
D620	SML310BA1T/HJ-X	LED		
D621	SML310BA1T/HJ-X	LED		
D640	MC2838-X	DIODE		
D641	UDZW5.1B-X	SI DIODE		
D642	1SS355W-X	DIODE C.M		
D643	UDZW6.2B-X	DIODE		
D645	NSPW310BS/BRST/	LED		
D646	NSPW310BS/BRST/	LED		
C601	NCB31HK-223X	C CAPACITOR	0.022uF 50V K	
C602	NCS31HJ-681X	C CAPACITOR	680pF 50V J	
C603	NBE20JM-106X	TA E CAPACITOR	10uF 6.3V M	
C611	NCB31HK-123X	C CAPACITOR	0.012uF 50V K	
C612	NBE20JM-475X	TA E CAPACITOR	4.7uF 6.3V M	

R601	NRSA63J-821X	MG RESISTOR	820Ω 1/16W J	
R602	NRSA63J-821X	MG RESISTOR	820Ω 1/16W J	
R603	NRSA63J-122X	MG RESISTOR	1.2kΩ 1/16W J	
R604	NRSA63J-182X	MG RESISTOR	1.8kΩ 1/16W J	
R605	NRSA63J-272X	MG RESISTOR	2.7kΩ 1/16W J	
R606	NRSA63J-392X	MG RESISTOR	3.9kΩ 1/16W J	
R607	NRSA63J-821X	MG RESISTOR	820Ω 1/16W J	
R608	NRSA63J-821X	MG RESISTOR	820Ω 1/16W J	
R609	NRSA63J-122X	MG RESISTOR	1.2kΩ 1/16W J	
R610	NRSA63J-182X	MG RESISTOR	1.8kΩ 1/16W J	
R611	NRSA63J-272X	MG RESISTOR	2.7kΩ 1/16W J	
R612	NRSA63J-392X	MG RESISTOR	3.9kΩ 1/16W J	
R613	NRSA63J-821X	MG RESISTOR	820Ω 1/16W J	
R614	NRSA63J-821X	MG RESISTOR	820Ω 1/16W J	
R632	NRSA02J-821X	MG RESISTOR	820Ω 1/10W J	
R634	NRSA63J-301X	MG RESISTOR	300Ω 1/16W J	
R636	NRSA63J-301X	MG RESISTOR	300Ω 1/16W J	
R638	NRSA63J-301X	MG RESISTOR	300Ω 1/16W J	
R640	NRSA63J-680X	MG RESISTOR	68Ω 1/16W J	
R641	NRS181J-101X	MG RESISTOR	100Ω 1/8W J	
R642	NRSA63J-680X	MG RESISTOR	68Ω 1/16W J	
R643	NRSA63J-680X	MG RESISTOR	68Ω 1/16W J	
R644	NRSA63J-431X	MG RESISTOR	430Ω 1/16W J	
R646	NRSA63J-431X	MG RESISTOR	430Ω 1/16W J	
R648	NRSA63J-431X	MG RESISTOR	430Ω 1/16W J	
R650	NRS181J-221X	MG RESISTOR	220Ω 1/8W J	
R651	NRSA63J-222X	MG RESISTOR	2.2kΩ 1/16W J	
R652	NRSA63J-222X	MG RESISTOR	2.2kΩ 1/16W J	
R653	NRSA63J-103X	MG RESISTOR	10kΩ 1/16W J	
R654	NRSA63J-103X	MG RESISTOR	10kΩ 1/16W J	
R655	NRSA63J-103X	MG RESISTOR	10kΩ 1/16W J	
R656	NRSA63J-103X	MG RESISTOR	10kΩ 1/16W J	
R657	NRSA63J-513X	MG RESISTOR	51kΩ 1/16W J	
R658	NRSA63J-184X	MG RESISTOR	180kΩ 1/16W J	
R660	NRSA02J-391X	MG RESISTOR	390Ω 1/10W J	
R661	NRSA02J-391X	MG RESISTOR	390Ω 1/10W J	
R670	NRSA63J-0R0X	MG RESISTOR	0Ω 1/16W J	
R672	NRSA02J-471X	MG RESISTOR	470Ω 1/10W J	
R673	NRSA02J-473X	MG RESISTOR	47kΩ 1/10W J	
R674	NRSA02J-102X	MG RESISTOR	1kΩ 1/10W J	
R680	NRSA63J-680X	MG RESISTOR	68Ω 1/16W J	
R681	NRSA63J-680X	MG RESISTOR	68Ω 1/16W J	
R691	NRSA63J-103X	MG RESISTOR	10kΩ 1/16W J	
R692	NRSA63J-471X	MG RESISTOR	470Ω 1/16W J	

CN601	NNZ0085-001	CAR CONNECTOR		
EN601	QSW1163-001	ROTARY ENCODER		
S601	NSW0206-001X	TACT SWITCH		
S602	NSW0206-001X	TACT SWITCH		
S603	NSW0206-001X	TACT SWITCH		
S604	NSW0206-001X	TACT SWITCH		
S605	NSW0206-001X	TACT SWITCH		
S606	NSW0206-001X	TACT SWITCH		
S607	NSW0206-001X	TACT SWITCH		
S608	NSW0206-001X	TACT SWITCH		
S609	NSW0206-001X	TACT SWITCH		
S610	NSW0206-001X	TACT SWITCH		
S611	NSW0206-001X	TACT SWITCH		
S612	NSW0206-001X	TACT SWITCH		
S613	NSW0206-001X	TACT SWITCH		

Symbol No.	Part No.	Part Name	Description	Local
S614	NSW0206-001X	TACT SWITCH		
S616	NSW0206-001X	TACT SWITCH		
S617	NSW0206-001X	TACT SWITCH		

USB board (KD-DV6207EE)

Block No. [0][9]

Symbol No.	Part No.	Part Name	Description	Local
IC401	TCC760	IC		
IC441	SA04D70TFI021A	IC(PROGRAMED)		
IC442	K4S161622H-UC60	IC		
IC451	AK4385ET-X	IC		
IC452	NJM4565V-X	IC		
IC481	SN74LVC2G07V-X	LOGIC IC		
IC482	SN74AHCT1G08V-X	IC		
IC521	BH18LB1WG-W	1.8V REG		
Q401	RT1N141C-X	DIGI TRANSISTOR		
D532	UDZW5.1B-X	SI DIODE		
D533	UDZW5.1B-X	SI DIODE		
D600	SML-310LT/MN/-X	LED		

C402	NCB31CK-104X	C CAPACITOR	0.1uF 16V K	
C403	NCB31CK-104X	C CAPACITOR	0.1uF 16V K	
C404	NCB31CK-104X	C CAPACITOR	0.1uF 16V K	
C406	NCB31CK-104X	C CAPACITOR	0.1uF 16V K	
C407	NDC31HJ-270X	C CAPACITOR	27pF 50V J	
C408	NDC31HJ-270X	C CAPACITOR	27pF 50V J	
C409	NCB31CK-104X	C CAPACITOR	0.1uF 16V K	
C410	NCB31CK-104X	C CAPACITOR	0.1uF 16V K	
C411	NDC31HJ-331X	C CAPACITOR	330pF 50V J	
C412	NCB31CK-104X	C CAPACITOR	0.1uF 16V K	
C413	NCB31CK-104X	C CAPACITOR	0.1uF 16V K	
C414	NCB31CK-104X	C CAPACITOR	0.1uF 16V K	
C415	NCB31CK-104X	C CAPACITOR	0.1uF 16V K	
C416	NCB31CK-104X	C CAPACITOR	0.1uF 16V K	
C417	NCB31CK-104X	C CAPACITOR	0.1uF 16V K	
C418	NCB31CK-104X	C CAPACITOR	0.1uF 16V K	
C419	NCB31CK-104X	C CAPACITOR	0.1uF 16V K	
C420	NCB31CK-104X	C CAPACITOR	0.1uF 16V K	
C440	NCB31AK-154X	C CAPACITOR	0.15uF 10V K	
C441	NCB31CK-104X	C CAPACITOR	0.1uF 16V K	
C442	NBE20JM-226X	TA E CAPACITOR	22uF 6.3V M	
C443	NCB31CK-104X	C CAPACITOR	0.1uF 16V K	
C444	NCB31CK-104X	C CAPACITOR	0.1uF 16V K	
C445	NCB31CK-104X	C CAPACITOR	0.1uF 16V K	
C446	NCB31CK-104X	C CAPACITOR	0.1uF 16V K	
C447	NCB31CK-104X	C CAPACITOR	0.1uF 16V K	
C448	NBE20JM-226X	TA E CAPACITOR	22uF 6.3V M	
C449	NCB31CK-104X	C CAPACITOR	0.1uF 16V K	
C451	NCB31HK-331X	C CAPACITOR	330pF 50V K	
C453	NCB31CK-473X	C CAPACITOR	0.047uF 16V K	
C454	NBE41AM-476X	TA E CAPACITOR	47uF 10V M	
C455	NCB31CK-104X	C CAPACITOR	0.1uF 16V K	
C456	NCB31CK-104X	C CAPACITOR	0.1uF 16V K	
C457	NBE41AM-476X	TA E CAPACITOR	47uF 10V M	
C461	NCB31HK-332X	C CAPACITOR	330pF 50V K	
C462	NCS31HJ-471X	C CAPACITOR	470pF 50V J	
C463	NCS31HJ-471X	C CAPACITOR	470pF 50V J	
C464	NCB31CK-104X	C CAPACITOR	0.1uF 16V K	
C465	NBE41AM-476X	TA E CAPACITOR	47uF 10V M	
C471	NCB31HK-332X	C CAPACITOR	330pF 50V K	
C472	NCS31HJ-471X	C CAPACITOR	470pF 50V J	
C473	NCS31HJ-471X	C CAPACITOR	470pF 50V J	
C474	NCB31CK-104X	C CAPACITOR	0.1uF 16V K	
C475	NBE41AM-476X	TA E CAPACITOR	47uF 10V M	
C481	NCB31CK-104X	C CAPACITOR	0.1uF 16V K	
C482	NCB31CK-104X	C CAPACITOR	0.1uF 16V K	

Symbol No.	Part No.	Part Name	Description	Local
------------	----------	-----------	-------------	-------

Front end board

Block No. [1][0]

C521	NBE21CM-475X	TA E CAPACITOR	4.7uF 16V M	
C522	NCB31CK-104X	C CAPACITOR	0.1uF 16V K	
C531	NCB31AK-474X	C CAPACITOR	0.47uF 10V K	

Symbol No.	Part No.	Part Name	Description	Local
------------	----------	-----------	-------------	-------

R398	NRSA63J-0R0X	MG RESISTOR	0Ω 1/16W J	
R399	NRSA63J-0R0X	MG RESISTOR	0Ω 1/16W J	
R401	NRSA63J-0R0X	MG RESISTOR	0Ω 1/16W J	
R402	NRSA63J-0R0X	MG RESISTOR	0Ω 1/16W J	
R403	NRSA63J-0R0X	MG RESISTOR	0Ω 1/16W J	
R404	NRSA63J-472X	MG RESISTOR	4.7kΩ 1/16W J	
R405	NRSA63J-472X	MG RESISTOR	4.7kΩ 1/16W J	
R406	NRSA63J-472X	MG RESISTOR	4.7kΩ 1/16W J	
R407	NRSA63J-0R0X	MG RESISTOR	0Ω 1/16W J	
R408	NRSA63J-0R0X	MG RESISTOR	0Ω 1/16W J	
R409	NRSA63J-102X	MG RESISTOR	1kΩ 1/16W J	
R410	NRSA63J-0R0X	MG RESISTOR	0Ω 1/16W J	
R411	NRSA63J-152X	MG RESISTOR	1.5kΩ 1/16W J	
R412	NRSA63J-105X	MG RESISTOR	1MΩ 1/16W J	
R414	NRSA63J-0R0X	MG RESISTOR	0Ω 1/16W J	
R415	NRSA63J-0R0X	MG RESISTOR	0Ω 1/16W J	
R416	NRSA63J-0R0X	MG RESISTOR	0Ω 1/16W J	
R417	NRSA63J-0R0X	MG RESISTOR	0Ω 1/16W J	
R418	NRSA63J-0R0X	MG RESISTOR	0Ω 1/16W J	
R420	NRSA63J-104X	MG RESISTOR	100kΩ 1/16W J	
R421	NRSA63J-472X	MG RESISTOR	4.7kΩ 1/16W J	
R425	NRSA63J-103X	MG RESISTOR	10kΩ 1/16W J	
R426	NRSA63J-0R0X	MG RESISTOR	0Ω 1/16W J	
R435	NRSA63J-472X	MG RESISTOR	4.7kΩ 1/16W J	
R436	NRSA63J-472X	MG RESISTOR	4.7kΩ 1/16W J	
R437	NRSA63J-472X	MG RESISTOR	4.7kΩ 1/16W J	
R441	NRSA63J-102X	MG RESISTOR	1kΩ 1/16W J	
R444	NRSA63J-0R0X	MG RESISTOR	0Ω 1/16W J	
R446	NRSA63J-472X	MG RESISTOR	4.7kΩ 1/16W J	
R447	NRSA63J-0R0X	MG RESISTOR	0Ω 1/16W J	
R448	NRSA63J-473X	MG RESISTOR	47kΩ 1/16W J	
R451	NRSA63J-473X	MG RESISTOR	47kΩ 1/16W J	
R452	NRSA63J-0R0X	MG RESISTOR	0Ω 1/16W J	
R453	NRSA63J-4R7X	MG RESISTOR	4.7Ω 1/16W J	
R454	NRSA63J-100X	MG RESISTOR	10Ω 1/16W J	
R455	NRSA63J-100X	MG RESISTOR	10Ω 1/16W J	
R460	NRSA63J-122X	MG RESISTOR	1.2kΩ 1/16W J	
R461	NRSA63J-472X	MG RESISTOR	4.7kΩ 1/16W J	
R462	NRSA63J-472X	MG RESISTOR	4.7kΩ 1/16W J	
R463	NRSA63J-223X	MG RESISTOR	22kΩ 1/16W J	
R464	NRSA63J-472X	MG RESISTOR	4.7kΩ 1/16W J	
R465	NRSA63J-201X	MG RESISTOR	200Ω 1/16W J	
R466	NRSA63J-223X	MG RESISTOR	22kΩ 1/16W J	
R467	NRSA63J-472X	MG RESISTOR	4.7kΩ 1/16W J	
R468	NRSA63J-201X	MG RESISTOR	200Ω 1/16W J	
R469	NRSA63J-102X	MG RESISTOR	1kΩ 1/16W J	
R470	NRSA63J-122X	MG RESISTOR	1.2kΩ 1/16W J	
R471	NRSA63J-472X	MG RESISTOR	4.7kΩ 1/16W J	
R472	NRSA63J-472X	MG RESISTOR	4.7kΩ 1/16W J	
R473	NRSA63J-223X	MG RESISTOR	22kΩ 1/16W J	
R474	NRSA63J-472X	MG RESISTOR	4.7kΩ 1/16W J	
R475	NRSA63J-201X	MG RESISTOR	200Ω 1/16W J	
R476	NRSA63J-223X	MG RESISTOR	22kΩ 1/16W J	
R477	NRSA63J-472X	MG RESISTOR	4.7kΩ 1/16W J	
R478	NRSA63J-201X	MG RESISTOR	200Ω 1/16W J	
R479	NRSA63J-102X	MG RESISTOR	1kΩ 1/16W J	
R482	NRSA63J-103X	MG RESISTOR	10kΩ 1/16W J	
R483	NRSA63J-103X	MG RESISTOR	10kΩ 1/16W J	
R484	NRSA63J-103X	MG RESISTOR	10kΩ 1/16W J	
R532	NRSA63J-153X	MG RESISTOR	15kΩ 1/16W J	
R533	NRSA63J-153X	MG RESISTOR	15kΩ 1/16W J	
RA401	NRZ0065-472X	MG RESISTOR	4.7kΩ	

L401	NQL38DK-330X	COIL	33uH K	
L531	NQR0536-001X	CHOKO COIL		

CN531	QNZ0855-001	USB CONNECTOR		
CN532	QGB1004K1-16	CONNECTOR	B-B (1-16)	
CN600	QGA1501C6-02	CONNECTOR	W-B (1-2)	
F531	NAD0031-004X	N THERMISTOR	W	
K441	NQR0502-001X	FERRITE BEADS		
X402	NAX0832-001X	CRYSTAL		

IC201	BA5835FM-X	IC		
IC251	BD6671FM-X	IC		
IC301	MN2DS0009AA	IC		
IC302	BA00HC5WF-X	IC		
IC304	S-80827CNNB-G-W	IC		
IC398	SG32M90TFR34F	IC(PROGRAMED)		
IC399	EDS1232AATA-75	IC(DIGITAL)		
IC401	AK4385ET-X	IC		
IC411	NJM4580V-X	IC		
IC481	BR24L16F-W-X	IC		

Q101	2SB1424/R/-W	TRANSISTOR		
Q102	2SC4617/R/-X	TRANSISTOR		
Q103	2SB1424/R/-W	TRANSISTOR		
Q104	2SC4617/R/-X	TRANSISTOR		
Q105	2SC4617/R/-X	TRANSISTOR		
Q106	2SK3019-X	MOS FET		
Q107	2SK3019-X	MOS FET		
Q231	DTC114EE-X	DIGI TRANSISTOR		
Q301	DTC144EE-X	DIGI TRANSISTOR		
Q302	DTC144EE-X	DIGI TRANSISTOR		

C1	NCB31CK-104X	C CAPACITOR	0.1uF 16V K	
C2	NCB31CK-104X	C CAPACITOR	0.1uF 16V K	
C3	NCB31CK-104X	C CAPACITOR	0.1uF 16V K	
C4	NCB31CK-104X	C CAPACITOR	0.1uF 16V K	
C5	NCB31CK-104X	C CAPACITOR	0.1uF 16V K	
C6	NCB31CK-104X	C CAPACITOR	0.1uF 16V K	
C7	NCB31CK-104X	C CAPACITOR	0.1uF 16V K	
C8	NCB31CK-104X	C CAPACITOR	0.1uF 16V K	
C9	NCB31CK-104X	C CAPACITOR	0.1uF 16V K	
C11	NCB31CK-104X	C CAPACITOR	0.1uF 16V K	
C12	NCB31CK-104X	C CAPACITOR	0.1uF 16V K	
C13	NCB31CK-104X	C CAPACITOR	0.1uF 16V K	
C14	NCB31CK-104X	C CAPACITOR	0.1uF 16V K	
C15	NCB31CK-104X	C CAPACITOR	0.1uF 16V K	
C16	NCB31CK-104X	C CAPACITOR	0.1uF 16V K	
C17	NCB31CK-104X	C CAPACITOR	0.1uF 16V K	
C18	NCB31CK-104X	C CAPACITOR	0.1uF 16V K	
C101	NCB31CK-104X	C CAPACITOR	0.1uF 16V K	
C102	NCB31CK-104X	C CAPACITOR	0.1uF 16V K	
C103	NCB31CK-104X	C CAPACITOR	0.1uF 16V K	
C104	NCB31CK-104X	C CAPACITOR	0.1uF 16V K	
C105	NBE41AM-476X	TA E CAPACITOR	47uF 10V M	
C106	NBE41AM-476X	TA E CAPACITOR	47uF 10V M	
C108	NBE41AM-476X	TA E CAPACITOR	47uF 10V M	
C111	NCB31CK-104X	C CAPACITOR	0.1uF 16V K	
C112	NCB31CK-104X	C CAPACITOR	0.1uF 16V K	
C201	NEAF1CM-107X	E CAPACITOR	100uF 16V M	
C202	NCB31CK-104X	C CAPACITOR	0.1uF 16V K	
C203	NCS31HJ-271X	C CAPACITOR	270pF 50V J	
C204	NDC31HJ-151X	C CAPACITOR	150pF 50V J	
C205	NCB31HK-681X	C CAPACITOR	680pF 50V K	
C206	NCB31HK-561X	C CAPACITOR	560pF 50V K	
C211	NEAF1CM-107X	E CAPACITOR	100uF 16V M	
C212	NCB31CK-104X	C CAPACITOR	0.1uF 16V K	
C213	NCB31CK-104X	C CAPACITOR	0.1uF 16V K	
C221	NCB31HK-223X	C CAPACITOR	0.022uF 50V K	
C222	NCB31HK-103X	C CAPACITOR	0.01uF 50V K	
C251	NCB31CK-104X	C CAPACITOR	0.1uF 16V K	
C252	NEAF1CM-107X	E CAPACITOR	100uF 16V M	
C253	NCB31CK-104X	C CAPACITOR	0.1uF 16V K	
C254	NBE21AM-106X	TA E CAPACITOR	10uF 10V M	
C255	NCB31CK-104X	C CAPACITOR	0.1uF 16V K	
C256	NCB31CK-473X	C CAPACITOR	0.047uF 16V K	
C257	NCB31HK-102X	C CAPACITOR	1000pF 50V K	
C258	NCB31HK-102X	C CAPACITOR	1000pF 50V K	
C259	NCB31HK-102X	C CAPACITOR	1000pF 50V K	
C264	NCB31HK-103X	C CAPACITOR	0.01uF 50V K	
C265	NCB31CK-104X	C CAPACITOR	0.1uF 16V K	
C266	NCB31CK-104X	C CAPACITOR	0.1uF 16V K	
C267	NCB31HK-103X	C CAPACITOR	0.01uF 50V K	
C268	NCB31HK-153X	C CAPACITOR	0.015uF 50V K	

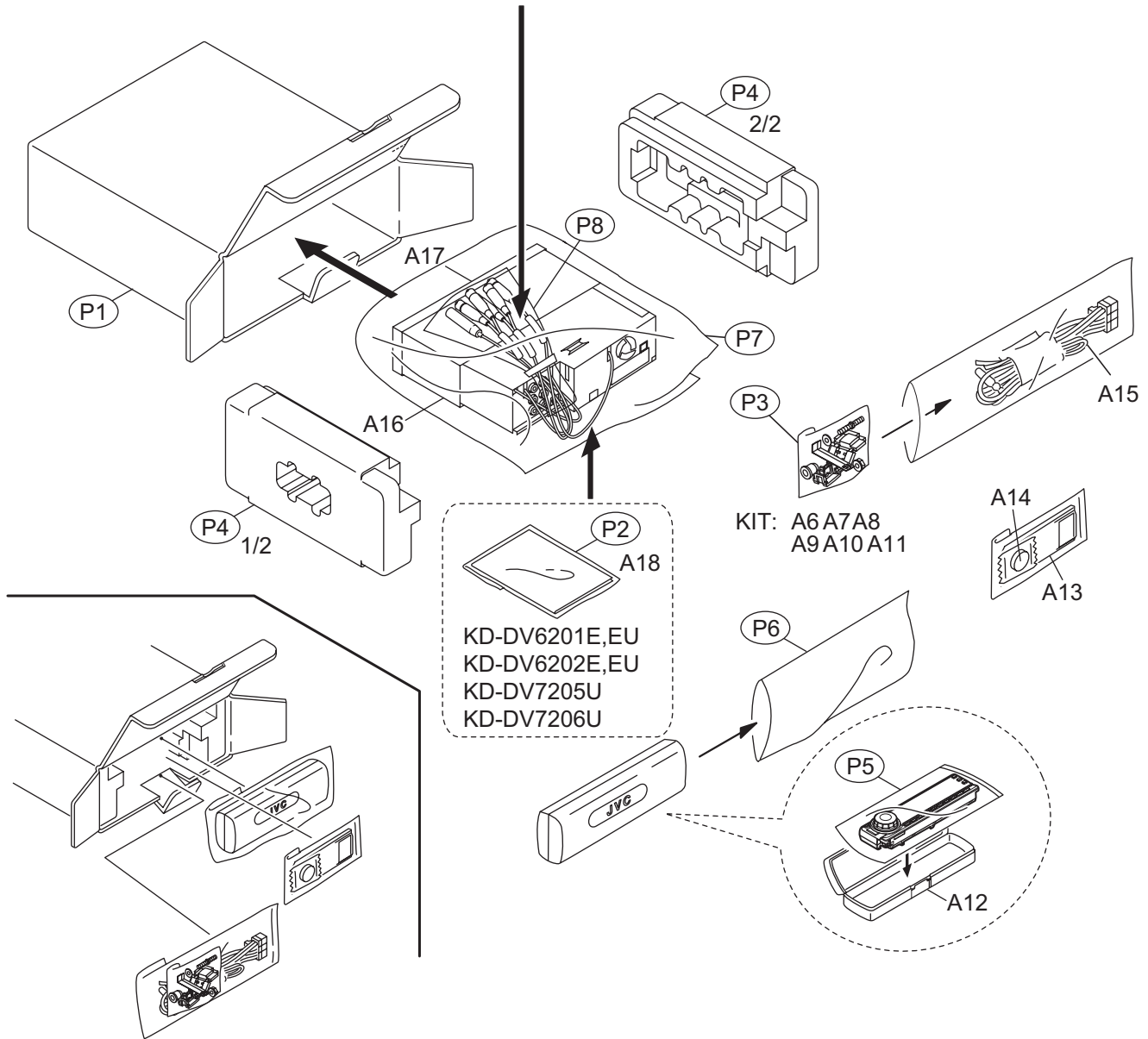
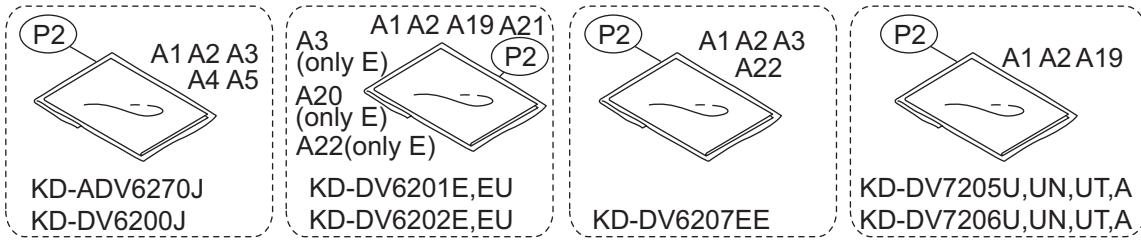
Symbol No.	Part No.	Part Name	Description	Local	Symbol No.	Part No.	Part Name	Description	Local
C301	NEAF0JM-227X	E CAPACITOR	220uF 6.3V M		C531	NCB31HK-332X	C CAPACITOR	3300pF 50V K	
C302	NBE40JM-476X	TA E CAPACITOR	47uF 6.3V M		C532	NCS31HJ-471X	C CAPACITOR	470pF 50V J	
C305	NCB31CK-104X	C CAPACITOR	0.1uF 16V K		C533	NCS31HJ-471X	C CAPACITOR	470pF 50V J	
C308	NCB31CK-104X	C CAPACITOR	0.1uF 16V K						
C309	NCB31CK-104X	C CAPACITOR	0.1uF 16V K		R101	NRSA63J-910X	MG RESISTOR	91Ω 1/16W J	
C310	NCB31HK-103X	C CAPACITOR	0.01uF 50V K		R102	NRSA63J-910X	MG RESISTOR	91Ω 1/16W J	
C311	NCB31CK-104X	C CAPACITOR	0.1uF 16V K		R103	NRSA63D-432X	MG RESISTOR	4.3kΩ 1/16W D	
C312	NCB21CK-105X	C CAPACITOR	1uF 16V K		R104	NRSA63D-242X	MG RESISTOR	2.4kΩ 1/16W D	
C313	NCB31CK-104X	C CAPACITOR	0.1uF 16V K		R105	NRS125J-120X	MG RESISTOR	12Ω 1/2W J	
C315	NCB31CK-104X	C CAPACITOR	0.1uF 16V K		R106	NRSA63J-2R2X	MG RESISTOR	2.2Ω 1/16W J	
C316	NCB31CK-105X	C CAPACITOR	1uF 16V K		R107	NRSA63J-102X	MG RESISTOR	1kΩ 1/16W J	
C317	NCB31CK-104X	C CAPACITOR	0.1uF 16V K		R108	NRSA63J-471X	MG RESISTOR	470Ω 1/16W J	
C318	NCB31CK-104X	C CAPACITOR	0.1uF 16V K		R109	NRSA63J-331X	MG RESISTOR	330Ω 1/16W J	
C319	NCB31CK-104X	C CAPACITOR	0.1uF 16V K		R110	NRSA63J-0R0X	MG RESISTOR	0Ω 1/16W J	
C320	NCB31CK-104X	C CAPACITOR	0.1uF 16V K		R111	NRSA63D-432X	MG RESISTOR	4.3kΩ 1/16W D	
C321	NCB31CK-104X	C CAPACITOR	0.1uF 16V K		R112	NRSA63D-242X	MG RESISTOR	2.4kΩ 1/16W D	
C322	NCB31CK-104X	C CAPACITOR	0.1uF 16V K		R113	NRS125J-120X	MG RESISTOR	12Ω 1/2W J	
C323	NCB31CK-104X	C CAPACITOR	0.1uF 16V K		R114	NRSA63J-2R2X	MG RESISTOR	2.2Ω 1/16W J	
C324	NCB21CK-105X	C CAPACITOR	1uF 16V K		R115	NRSA63J-102X	MG RESISTOR	1kΩ 1/16W J	
C325	NDC31HJ-100X	C CAPACITOR	10pF 50V J		R116	NRSA63J-471X	MG RESISTOR	470Ω 1/16W J	
C326	NDC31HJ-100X	C CAPACITOR	10pF 50V J		R117	NRSA63J-331X	MG RESISTOR	330Ω 1/16W J	
C330	NCB31CK-104X	C CAPACITOR	0.1uF 16V K		R118	NRSA63J-0R0X	MG RESISTOR	0Ω 1/16W J	
C331	NCB31CK-333X	C CAPACITOR	0.033uF 16V K		R119	NRSA63J-0R0X	MG RESISTOR	0Ω 1/16W J	
C332	NCB31CK-104X	C CAPACITOR	0.1uF 16V K		R120	NRSA63J-0R0X	MG RESISTOR	0Ω 1/16W J	
C333	NCB31CK-104X	C CAPACITOR	0.1uF 16V K		R122	NRSA63J-0R0X	MG RESISTOR	0Ω 1/16W J	
C335	NCB31CK-104X	C CAPACITOR	0.1uF 16V K		R123	NRSA63J-0R0X	MG RESISTOR	0Ω 1/16W J	
C336	NCB31CK-104X	C CAPACITOR	0.1uF 16V K		R125	NRS125J-1R0X	MG RESISTOR	1Ω 1/2W J	
C337	NCB31HK-183X	C CAPACITOR	0.018uF 50V K		R126	NRSA02J-0R0X	MG RESISTOR	0Ω 1/10W J	
C338	NCB31HK-562X	C CAPACITOR	5600pF 50V K		R127	NRSA63J-103X	MG RESISTOR	10kΩ 1/16W J	
C339	NCB31CK-104X	C CAPACITOR	0.1uF 16V K		R128	NRSA63J-103X	MG RESISTOR	10kΩ 1/16W J	
C340	NCB21CK-105X	C CAPACITOR	1uF 16V K		R129	NRSA63J-104X	MG RESISTOR	100kΩ 1/16W J	
C341	NCB21CK-105X	C CAPACITOR	1uF 16V K		R201	NRS125J-1R0X	MG RESISTOR	1Ω 1/2W J	
C347	NCB31CK-104X	C CAPACITOR	0.1uF 16V K		R202	NRSA63J-473X	MG RESISTOR	47kΩ 1/16W J	
C348	NCB31CK-104X	C CAPACITOR	0.1uF 16V K		R203	NRSA63J-303X	MG RESISTOR	30kΩ 1/16W J	
C349	NCB31CK-104X	C CAPACITOR	0.1uF 16V K		R204	NRSA63J-273X	MG RESISTOR	27kΩ 1/16W J	
C350	NCB31CK-104X	C CAPACITOR	0.1uF 16V K		R205	NRSA63J-273X	MG RESISTOR	27kΩ 1/16W J	
C358	NDC31HJ-5R0X	C CAPACITOR	5pF 50V J		R206	NRSA63J-0R0X	MG RESISTOR	0Ω 1/16W J	
C359	NDC31HJ-5R0X	C CAPACITOR	5pF 50V J		R207	NRSA63J-0R0X	MG RESISTOR	0Ω 1/16W J	
C364	NBE40JM-476X	TA E CAPACITOR	47uF 6.3V M		R208	NRSA63J-203X	MG RESISTOR	20kΩ 1/16W J	
C365	NCB31CK-104X	C CAPACITOR	0.1uF 16V K		R209	NRSA63J-223X	MG RESISTOR	22kΩ 1/16W J	
C366	NCB21CK-105X	C CAPACITOR	1uF 16V K		R211	NRSA63J-0R0X	MG RESISTOR	0Ω 1/16W J	
C369	NBE40JM-476X	TA E CAPACITOR	47uF 6.3V M		R219	NRSA63J-153X	MG RESISTOR	15kΩ 1/16W J	
C371	NCB21CK-105X	C CAPACITOR	1uF 16V K		R220	NRSA63J-183X	MG RESISTOR	18kΩ 1/16W J	
C380	NCB31CK-104X	C CAPACITOR	0.1uF 16V K		R221	NRSA63J-103X	MG RESISTOR	10kΩ 1/16W J	
C381	NCB31CK-104X	C CAPACITOR	0.1uF 16V K		R222	NRSA63J-103X	MG RESISTOR	10kΩ 1/16W J	
C382	NCB31CK-104X	C CAPACITOR	0.1uF 16V K		R223	NRSA63J-0R0X	MG RESISTOR	0Ω 1/16W J	
C383	NCB31CK-104X	C CAPACITOR	0.1uF 16V K		R224	NRSA63J-103X	MG RESISTOR	10kΩ 1/16W J	
C384	NCB31CK-104X	C CAPACITOR	0.1uF 16V K		R231	NRSA63J-272X	MG RESISTOR	2.7kΩ 1/16W J	
C385	NCB31CK-104X	C CAPACITOR	0.1uF 16V K		R232	NRSA63J-153X	MG RESISTOR	15kΩ 1/16W J	
C386	NCB31CK-104X	C CAPACITOR	0.1uF 16V K		R233	NRSA63J-0R0X	MG RESISTOR	0Ω 1/16W J	
C387	NCB31CK-104X	C CAPACITOR	0.1uF 16V K		R234	NRSA63J-394X	MG RESISTOR	390kΩ 1/16W J	
C388	NCB31CK-104X	C CAPACITOR	0.1uF 16V K		R235	NRSA63J-682X	MG RESISTOR	6.8kΩ 1/16W J	
C391	NCB31CK-104X	C CAPACITOR	0.1uF 16V K		R251	NRS125J-R47X	MG RESISTOR	0.47Ω 1/2W J	
C392	NCB31CK-104X	C CAPACITOR	0.1uF 16V K		R252	NRSA63J-103X	MG RESISTOR	10kΩ 1/16W J	
C393	NCB31CK-104X	C CAPACITOR	0.1uF 16V K		R253	NRSA63J-0R0X	MG RESISTOR	0Ω 1/16W J	
C394	NCB31CK-104X	C CAPACITOR	0.1uF 16V K		R254	NRSA63J-103X	MG RESISTOR	10kΩ 1/16W J	
C396	NCB31CK-104X	C CAPACITOR	0.1uF 16V K		R255	NRSA63J-203X	MG RESISTOR	20kΩ 1/16W J	
C397	NBE20JM-226X	TA E CAPACITOR	22uF 6.3V M		R256	NRSA63J-470X	MG RESISTOR	47Ω 1/16W J	
C401	NCB31CK-104X	C CAPACITOR	0.1uF 16V K		R257	NRSA63J-0R0X	MG RESISTOR	0Ω 1/16W J	
C402	NBE41AM-476X	TA E CAPACITOR	47uF 10V M		R258	NRSA63J-103X	MG RESISTOR	10kΩ 1/16W J	
C403	NCB31HK-331X	C CAPACITOR	330pF 50V K		R259	NRSA63J-103X	MG RESISTOR	10kΩ 1/16W J	
C404	NCB31CK-473X	C CAPACITOR	0.047uF 16V K		R260	NRSA63J-470X	MG RESISTOR	47Ω 1/16W J	
C411	NCB31CK-104X	C CAPACITOR	0.1uF 16V K		R300	NRSA63J-0R0X	MG RESISTOR	0Ω 1/16W J	
C412	NBE41AM-476X	TA E CAPACITOR	47uF 10V M		R301	NRSA63J-0R0X	MG RESISTOR	0Ω 1/16W J	
C421	NCB31CK-104X	C CAPACITOR	0.1uF 16V K		R303	NRSA63J-270X	MG RESISTOR	27Ω 1/16W J	
C422	NBE41AM-476X	TA E CAPACITOR	47uF 10V M		R304	NRSA63J-103X	MG RESISTOR	10kΩ 1/16W J	
C431	NCB31HK-332X	C CAPACITOR	3300pF 50V K		R306	NRSA63J-102X	MG RESISTOR	1kΩ 1/16W J	
C432	NCS31HJ-471X	C CAPACITOR	470pF 50V J		R307	NRSA63J-102X	MG RESISTOR	1kΩ 1/16W J	
C433	NCS31HJ-471X	C CAPACITOR	470pF 50V J		R308	NRSA63J-223X	MG RESISTOR	22kΩ 1/16W J	
C451	NCB31CK-104X	C CAPACITOR	0.1uF 16V K		R309	NRSA63J-104X	MG RESISTOR	100kΩ 1/16W J	
C452	NCB31CK-104X	C CAPACITOR	0.1uF 16V K		R310	NRSA63J-102X	MG RESISTOR	1kΩ 1/16W J	
C453	NCB31CK-104X	C CAPACITOR	0.1uF 16V K		R312	NRSA63J-0R0X	MG RESISTOR	0Ω 1/16W J	
C454	NCB31CK-104X	C CAPACITOR	0.1uF 16V K		R313	NRSA63J-0R0X	MG RESISTOR	0Ω 1/16W J	
C481	NCB31CK-104X	C CAPACITOR	0.1uF 16V K		R314	NRSA63J-0R0X	MG RESISTOR	0Ω 1/16W J	
C491	NCB31CK-104X	C CAPACITOR	0.1uF 16V K		R315	NRSA63J-0R0X	MG RESISTOR	0Ω 1/16W J	
C521	NCB31CK-104X	C CAPACITOR	0.1uF 16V K		R316	NRSA63J-0R0X	MG RESISTOR	0Ω 1/16W J	
C522	NBE41AM-476X	TA E CAPACITOR	47uF 10V M		R317	NRSA63J-223X	MG RESISTOR	22kΩ 1/16W J	

Symbol No.	Part No.	Part Name	Description	Local	Symbol No.	Part No.	Part Name	Description	Local
R318	NRSA63D-332X	MG RESISTOR	3.3kΩ 1/16W D		R621	NQL093K-1R8X	COIL	1.8uH K	
R319	NRSA63J-223X	MG RESISTOR	22kΩ 1/16W J		L303	NQL044K-100X	COIL	0.26Ω 10uH K	
R320	NRSA63J-101X	MG RESISTOR	100Ω 1/16W J		L305	NQL093K-1R8X	COIL	1.8uH K	
R322	NRSA63J-103X	MG RESISTOR	10kΩ 1/16W J		L306	NQL093K-1R8X	COIL	1.8uH K	
R323	NRSA63J-0R0X	MG RESISTOR	0Ω 1/16W J		L307	NQL093K-1R8X	COIL	1.8uH K	
R325	NRSA63J-161X	MG RESISTOR	160Ω 1/16W J		L451	NQL044K-100X	COIL	0.26Ω 10uH K	
R332	NRSA63J-102X	MG RESISTOR	1kΩ 1/16W J		CN101	QGF0501F8-30X	CONNECTOR	FFC/FPC (1-30)	
R333	NRSA63D-162X	MG RESISTOR	1.6kΩ 1/16W D		CN201	QGF1038F2-11X	CONNECTOR	FFC/FPC (1-11)	
R334	NRSA63J-151X	MG RESISTOR	150Ω 1/16W J		CN202	QGF0523F2-05W	CONNECTOR	FFC/FPC (1-5)	
R335	NRSA63J-151X	MG RESISTOR	150Ω 1/16W J		CN402	QGF0522F3-06W	CONNECTOR	FFC/FPC (1-6)	
R336	NRSA63J-151X	MG RESISTOR	150Ω 1/16W J		CN403	QGF0534F3-45X	CONNECTOR	FFC/FPC (1-45)	
R337	NRSA63J-151X	MG RESISTOR	150Ω 1/16W J		K101	NQR0007-002X	FERRITE BEADS		
R338	NRSA63J-0R0X	MG RESISTOR	0Ω 1/16W J		K102	NQR0007-002X	FERRITE BEADS		
R339	NRSA63J-0R0X	MG RESISTOR	0Ω 1/16W J		K301	NQR0502-001X	FERRITE BEADS		
R340	NRSA63D-303X	MG RESISTOR	30kΩ 1/16W D		K311	NQR0129-002X	FERRITE BEADS		
R345	NRSA63J-0R0X	MG RESISTOR	0Ω 1/16W J		K399	NQR0502-001X	FERRITE BEADS		
R346	NRSA63J-473X	MG RESISTOR	47kΩ 1/16W J		K401	NQR0022-005X	FERRITE BEADS		
R347	NRSA63J-473X	MG RESISTOR	47kΩ 1/16W J		K402	NQR0022-005X	FERRITE BEADS		
R348	NRSA63J-473X	MG RESISTOR	47kΩ 1/16W J		K404	NQR0022-005X	FERRITE BEADS		
R349	NRSA63J-473X	MG RESISTOR	47kΩ 1/16W J		K405	NQR0022-005X	FERRITE BEADS		
R350	NRSA63J-181X	MG RESISTOR	180Ω 1/16W J		K406	NQR0022-005X	FERRITE BEADS		
R351	NRSA63J-102X	MG RESISTOR	1kΩ 1/16W J		K407	NQR0022-005X	FERRITE BEADS		
R352	NRSA63J-105X	MG RESISTOR	1MΩ 1/16W J		K425	NQL093K-1R8X	COIL	1.8uH K	
R353	NRSA63J-101X	MG RESISTOR	100Ω 1/16W J		K435	NQR0022-005X	FERRITE BEADS		
R354	NRSA63J-101X	MG RESISTOR	100Ω 1/16W J		K441	NQR0022-005X	FERRITE BEADS		
R357	NRSA63J-0R0X	MG RESISTOR	0Ω 1/16W J		K442	NQR0022-005X	FERRITE BEADS		
R358	NRSA63J-0R0X	MG RESISTOR	0Ω 1/16W J		K443	NQR0022-005X	FERRITE BEADS		
R359	NRSA63J-181X	MG RESISTOR	180Ω 1/16W J		K444	NQR0022-005X	FERRITE BEADS		
R360	NRSA63J-181X	MG RESISTOR	180Ω 1/16W J		K445	NQR0022-005X	FERRITE BEADS		
R361	NRSA63J-0R0X	MG RESISTOR	0Ω 1/16W J		K451	NQR0022-005X	FERRITE BEADS		
R362	NRSA63J-0R0X	MG RESISTOR	0Ω 1/16W J		K452	NQR0022-005X	FERRITE BEADS		
R363	NRSA63J-151X	MG RESISTOR	150Ω 1/16W J		K601	NQR0022-005X	FERRITE BEADS		
R364	NRSA63J-151X	MG RESISTOR	150Ω 1/16W J		SW4	NSW0184-001X	DETECT SW		
R365	NRSA63D-911X	MG RESISTOR	910Ω 1/16W D		SW5	NSW0183-001X	DETECT SW		
R366	NRSA63D-202X	MG RESISTOR	2kΩ 1/16W D		TH491	NAD0025-103X	N THERMISTOR	10kΩ	
R370	NRSA63J-103X	MG RESISTOR	10kΩ 1/16W J		X351	NAX0730-001X	CRYSTAL		
R371	NRSA63J-0R0X	MG RESISTOR	0Ω 1/16W J						
R372	NRSA63J-331X	MG RESISTOR	330Ω 1/16W J						
R373	NRSA63J-331X	MG RESISTOR	330Ω 1/16W J						
R374	NRSA63J-0R0X	MG RESISTOR	0Ω 1/16W J						
R380	NRSA63J-102X	MG RESISTOR	1kΩ 1/16W J						
R384	NRSA63J-102X	MG RESISTOR	1kΩ 1/16W J						
R385	NRSA63J-102X	MG RESISTOR	1kΩ 1/16W J						
R386	NRSA63J-0R0X	MG RESISTOR	0Ω 1/16W J						
R390	NRSA63J-103X	MG RESISTOR	10kΩ 1/16W J						
R396	NRSA63J-473X	MG RESISTOR	47kΩ 1/16W J						
R399	NRSA63J-0R0X	MG RESISTOR	0Ω 1/16W J						
R401	NRSA63J-100X	MG RESISTOR	10Ω 1/16W J						
R402	NRSA63J-4R7X	MG RESISTOR	4.7Ω 1/16W J						
R403	NRSA63J-0R0X	MG RESISTOR	0Ω 1/16W J						
R404	NRSA63J-473X	MG RESISTOR	47kΩ 1/16W J						
R411	NRSA63J-100X	MG RESISTOR	10Ω 1/16W J						
R421	NRSA63J-102X	MG RESISTOR	1kΩ 1/16W J						
R422	NRSA63J-122X	MG RESISTOR	1.2kΩ 1/16W J						
R431	NRSA63J-472X	MG RESISTOR	4.7kΩ 1/16W J						
R432	NRSA63J-472X	MG RESISTOR	4.7kΩ 1/16W J						
R433	NRSA63J-223X	MG RESISTOR	22kΩ 1/16W J						
R434	NRSA63J-201X	MG RESISTOR	200Ω 1/16W J						
R435	NRSA63J-472X	MG RESISTOR	4.7kΩ 1/16W J						
R436	NRSA63J-201X	MG RESISTOR	200Ω 1/16W J						
R437	NRSA63J-472X	MG RESISTOR	4.7kΩ 1/16W J						
R438	NRSA63J-223X	MG RESISTOR	22kΩ 1/16W J						
R441	NRSA63J-0R0X	MG RESISTOR	0Ω 1/16W J						
R442	NRSA63J-0R0X	MG RESISTOR	0Ω 1/16W J						
R481	NRSA63J-103X	MG RESISTOR	10kΩ 1/16W J						
R491	NRSA63D-472X	MG RESISTOR	4.7kΩ 1/16W D						
R492	NRSA63J-0R0X	MG RESISTOR	0Ω 1/16W J						
R521	NRSA63J-102X	MG RESISTOR	1kΩ 1/16W J						
R522	NRSA63J-122X	MG RESISTOR	1.2kΩ 1/16W J						
R531	NRSA63J-472X	MG RESISTOR	4.7kΩ 1/16W J						
R532	NRSA63J-472X	MG RESISTOR	4.7kΩ 1/16W J						
R533	NRSA63J-223X	MG RESISTOR	22kΩ 1/16W J						
R534	NRSA63J-201X	MG RESISTOR	200Ω 1/16W J						
R535	NRSA63J-472X	MG RESISTOR	4.7kΩ 1/16W J						
R536	NRSA63J-201X	MG RESISTOR	200Ω 1/16W J						
R537	NRSA63J-472X	MG RESISTOR	4.7kΩ 1/16W J						
R538	NRSA63J-223X	MG RESISTOR	22kΩ 1/16W J						

Packing materials and accessories parts list

Block No. M 3 M M

No additional / supplemental order of WARRANTY CARDS are available.



Packing and Accessories

Block No. [M][3][M][M]

△	Symbol No.	Part No.	Part Name	Description	Local
	A 1	GET0374-001A	INSTR. BOOK	ENG FRE SPA	ADV6270J,DV6200J
	A 1	GET0378-002A	INST BOOK	SPA ITA SWE	DV6201E,DV6202E
	A 1	GET0378-003A	INST BOOK	ENG FRE	DV6201EU,DV6202EU
	A 1	GET0375-001A	INST BOOK	ENG CHI(TAIWAN)	DV7205U,DV7206U
	A 1	GET0375-003A	INST BOOK	ENG INA	DV7205UN,DV7206UN
	A 1	GET0375-004A	INST BOOK	ENG CHI(TAIWAN)	DV7205UT,DV7206UT
	A 1	GET0375-005A	INST BOOK	ENG	DV7205A,DV7206A
	A 1	GET0379-001A	INST BOOK	ENG RUS	DV6207EE
	A 2	GET0374-002A	INSTALL MANUAL		ADV6270J,DV6200J
	A 2	GET0378-005A	INSTALL MANUAL		DV6201E,DV6202E
	A 2	GET0378-007A	INSTALL MANUAL		DV6201EU,DV6202EU
	A 2	GET0375-006A	INSTALL MANUAL		DV7205U,DV7205UT,DV7206U,DV7206UT
	A 2	GET0375-008A	INSTALL MANUAL		DV7205UN,DV7206UN
	A 2	GET0375-009A	INSTALL MANUAL		DV7205A,DV7206A
	A 2	GET0379-002A	INSTALL MANUAL		DV6207EE
	A 3	-----	WARRANTY CARD	BT-52006-2	ADV6270J,DV6200J
	A 3	-----	WARRANTY CARD	BT-54028-1	DV6201E,DV6202E,DV6207EE
	A 4	-----	WARRANTY CARD	BT-51029-2	ADV6270J
	A 4	-----	WARRANTY CARD	BT-51018-4	DV6200J
	A 5	BT-51034-2	REGISTRATION CARD		ADV6270J,DV6200J
	A 6	VKZ4027-202	PLUG NUT		
	A 7	VKH4871-003	MOUNT BOLT		
	A 8	VKZ4328-003	LOCK NUT		
	A 9	QYVWS53A008ZA	WASHER	0mm/5.3mm x	
	A 10	GE40130-002A	HOOK	(x2)	
	A 11	LV41478-002A	CORD CONNECTOR		
	A 12	GE32149-001A	HARD CASE ASSY		
	A 13	RM-RK230	REMOCON UNIT		
	A 14	-----	BATTERY		
△	A 15	QAM0687-001	POWER CORD		ADV6270J
△	A 15	QAM0453-002	CAR CABLE		DV6200J
△	A 15	QAM0450-002	POWER CORD		DV6201E,DV6201EU,DV6202E,DV6202EU ,DV6207EE DV7205U,DV7205UN,DV7205UT,DV7205A ,DV7206U,DV7206UN,DV7206UT, DV7206A
△	A 15	QAM0455-002	CAR CABLE		
	A 16	GE20137-003A	MOUNTING SLEEVE		
	A 17	GE20149-015A	TRIM PLATE		ADV6270J,DV6202E,DV6202EU,DV7206U ,DV7206UN,DV7206UT,DV7206A, DV6207EE
	A 17	GE20149-013A	TRIM PLATE		DV6200J
	A 17	GE20149-007A	TRIM PLATE		DV6201E,DV6201EU,DV7205U,DV7205U N,DV7205UT,DV7205A
	A 18	GET0378-001A	INST BOOK	ENG GER FRE DUT	DV6201E,DV6202E
	A 18	GET0378-004A	INST BOOK	SPA TUR PER	DV6201EU,DV6202EU
	A 18	GET0375-002A	INST BOOK	THA ARA PER KOR	DV7205U,DV7206U
	A 19	GET0378-006A	INSTALL MANUAL		DV6201E,DV6202E
	A 19	GET0378-008A	INSTALL MANUAL		DV6201EU,DV6202EU
	A 19	GET0375-007A	INSTALL MANUAL		DV7205U,DV7206U
	A 20	VND3050-002	IDENTITY CARD		DV6201E,DV6202E
	A 21	LVT1435-001A	INST SHEET		DV6201E,DV6201EU,DV6202E,DV6202EU
	A 22	VND3046-001	SERIAL TICKET		DV6201E,DV6202E,DV6207EE
	KIT	SRW-ADV6160J	SCREW PARTS KIT	A6 A7 A8 A9 A10 A11	
	P 1	GE32077-002A	CARTON		ADV6270J
	P 1	GE32080-002A	CARTON		DV6200J
	P 1	GE32100-001A	CARTON		DV6201E,DV6201EU
	P 1	GE32103-001A	CARTON		DV6202E,DV6202EU
	P 1	GE32083-001A	CARTON		DV7205U,DV7205UN,DV7205UT
	P 1	GE32085-001A	CARTON		DV7205A
	P 1	GE32087-001A	CARTON		DV7206U,DV7206UN,DV7206UT
	P 1	GE32089-001A	CARTON		DV7206A
	P 1	GE32106-002A	CARTON		DV6207EE
	P 2	FSPG4002-001	POLY BAG		ADV6270J,DV6200J,DV7205UN,DV7205U T,DV7205A,DV7206UN,DV7206UT,DV7206 A,DV6207EE
	P 2	FSPG4002-001	POLY BAG	(x2)	DV6201E,DV6201EU,DV6202E,DV6202EU ,DV7205U,DV7206U
	P 3	QPA00801205	POLY BAG	8cm x 12cm	
	P 4	GE10162-001A	CUSHION		
	P 5	QPC01002515	POLY BAG	10cm x 25cm	
	P 6	QPA01003003	POLY BAG	10cm x 30cm	
	P 7	QPC03004315P	POLY BAG	30cm x 43cm	
	P 8	QPC01002515	POLY BAG	10cm x 25cm	